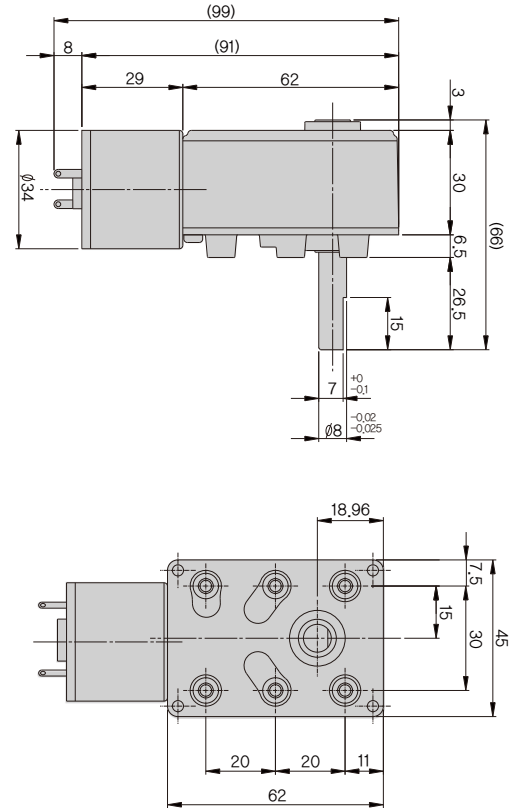
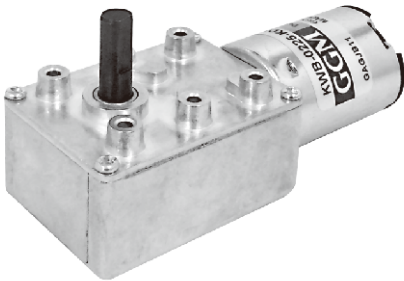


### DIMENSIONS

#### KWB-3429 SERIES



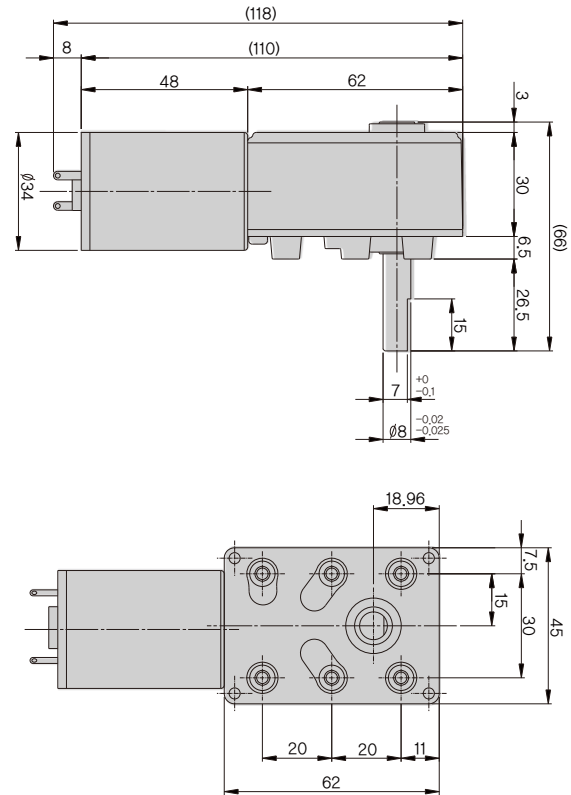
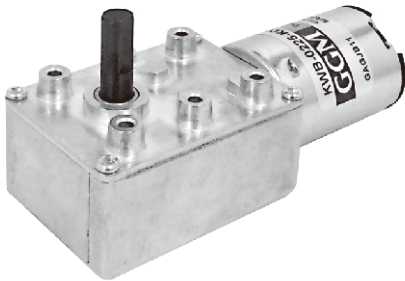
#### AT MAXIMUM EFFICIENCY

GEAR	MODEL		KD3429S1		KD3429S2		KD3429T1		KD3429T2		KD3429P1		KD3429P2	
			DC 12V		DC 24V		DC 12V		DC 24V		DC 12V		DC 24V	
	rpm	kgf-cm	rpm	kgf-cm	rpm	kgf-cm	rpm	kgf-cm	rpm	kgf-cm	rpm	kgf-cm	rpm	kgf-cm
1/070	64	1.7	64	1.7	92.8	1.7	92.8	1.7	92.8	1.7	114	3.4	114	1.7
1/100	45	2.4	45	2.4	65	2.4	65	2.4	65	2.4	80	4.8	80	2.4
1/130	34.6	3.1	34.6	3.1	50	3.1	50	3.1	50	3.1	61.5	6.2	61.5	3.1
1/160	28	3.8	28	3.8	40.6	3.8	40.6	3.8	40.6	3.8	50	7.6	50	3.8
1/200	22.5	4.8	22.5	4.8	32.5	4.8	32.5	4.8	32.5	4.8	40	9.6	40	4.8
1/260	17.5	6.3	17.5	6.3	25.2	6.3	25.2	6.3	25.2	6.3	31	12.6	31	6.3
1/330	13.6	7.2	13.6	7.2	19.6	7.2	19.6	7.2	19.6	7.2	24.2	14.4	24.2	7.2
1/400	11.2	8.7	11.2	8.7	16.2	8.7	16.2	8.7	16.2	8.7	20	17.4	20	8.7
1/450	10	9.8	10	9.8	14.4	9.8	14.4	9.8	14.4	9.8	17.7	19.6	17.7	9.8
1/500	9	10.9	9	10.9	13	10.9	13	10.9	13	10.9	16	20	16	10.9
1/600	7.5	13.1	7.5	13.1	10.8	13.1	10.8	13.1	10.8	13.1	13.3	20	13.3	13.1
1/750	6	14.7	6	14.7	8.6	14.7	8.6	14.7	8.6	14.7	10.6	20	10.6	14.7
1/925	4.8	18.2	4.8	18.2	7	18.2	7	18.2	7	18.2	8.6	20	8.6	18.2
1/1000	4.5	19.6	4.5	19.6	6.5	19.6	6.5	19.6	6.5	19.6	8	20	8	19.6

\*  color gear ratios are same rotation direction with motor.  
 \* The standard is F-TYPE.  
 \* R type available.

### DIMENSIONS

#### KWB-3448 SERIES



#### AT MAXIMUM EFFICIENCY

GEAR	MODEL	KD3448S1		KD3448S2		KD3448T1		KD3448T2		KD3448P1		KD3448P2	
		DC 12V		DC 24V		DC 12V		DC 24V		DC 12V		DC 24V	
		rpm	kgf-cm	rpm	kgf-cm	rpm	kgf-cm	rpm	kgf-cm	rpm	kgf-cm	rpm	kgf-cm
1/070		64	3.4	64	3.4	92.8	3.4	92.8	3.4	114	3.4	114	3.4
1/100		45	4.8	45	4.8	65	4.8	65	4.8	80	4.8	80	4.8
1/130		34.6	6.2	34.6	6.2	50	6.2	50	6.2	61.5	6.2	61.5	6.2
1/160		28	7.6	28	7.6	40.6	7.6	40.6	7.6	50	7.6	50	7.6
1/200		22.5	9.6	22.5	9.6	32.5	9.6	32.5	9.6	40	9.6	40	9.6
1/260		17.5	12.6	17.5	12.6	25.2	12.6	25.2	12.6	31	12.6	31	12.6
1/330		13.6	14.4	13.6	14.4	19.6	14.4	19.6	14.4	24.2	14.4	24.2	14.4
1/400		11.2	17.4	11.2	17.4	16.2	17.4	16.2	17.4	20	17.4	20	17.4
1/450		10	19.6	10	19.6	14.4	19.6	14.4	19.6	17.7	19.6	17.7	19.6
1/500		9	20	9	20	13	20	13	20	16	20	16	20
1/600		7.5	20	7.5	20	10.8	20	10.8	20	13.3	20	13.3	20
1/750		6	20	6	20	8.6	20	8.6	20	10.6	20	10.6	20
1/925		4.8	20	4.8	20	7	20	7	20	8.6	20	8.6	20
1/1000		4.5	20	4.5	20	6.5	20	6.5	20	8	20	8	20

\*   color gear ratios are same rotation direction with motor.  
 \* The standard is F-TYPE.  
 \* R type available.