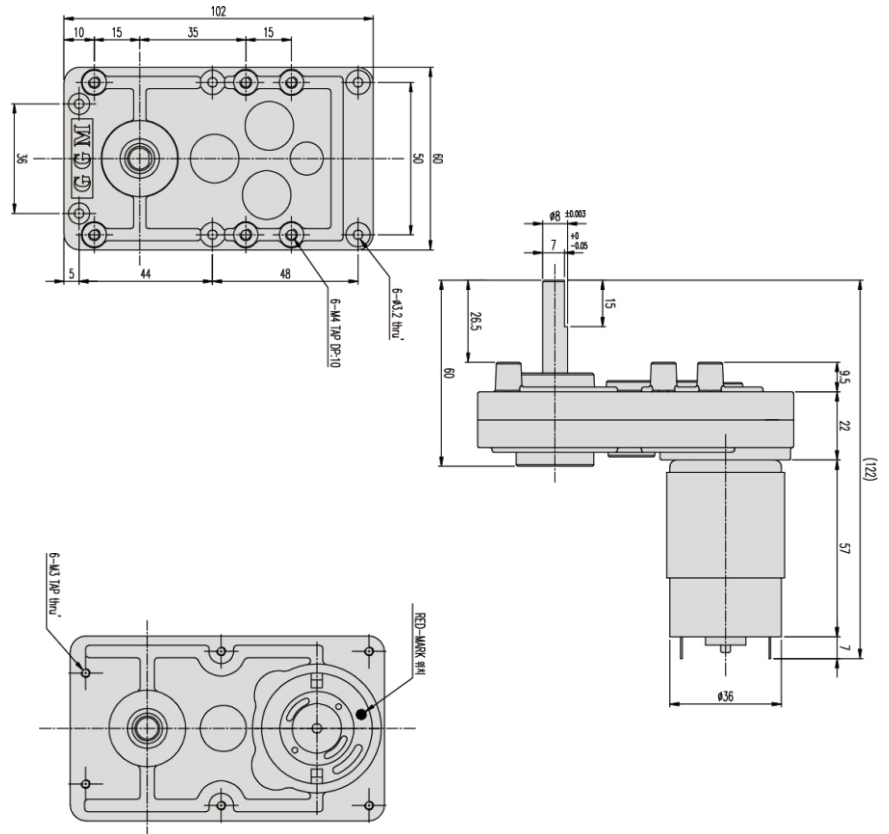
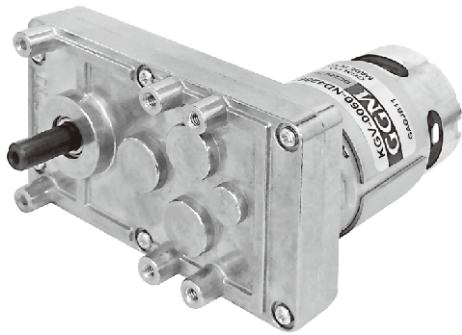


KGV-TYPE

DIMENSIONS

KGV-3657 SERIES



MOTOR PERFORMANCE DATA

MODEL	ITEM	VOLTAGE (DC)	NO LOAD		AT MAX. EFF.			STALL	
			mA	rpm	gf-cm	A	rpm	A	kgf-cm
ND3657U1		12V	300	6000	200	1.5	5000	10	1.6
ND3657U2		24V	150			0.9		5	

AT MAXIMUM EFFICIENCY

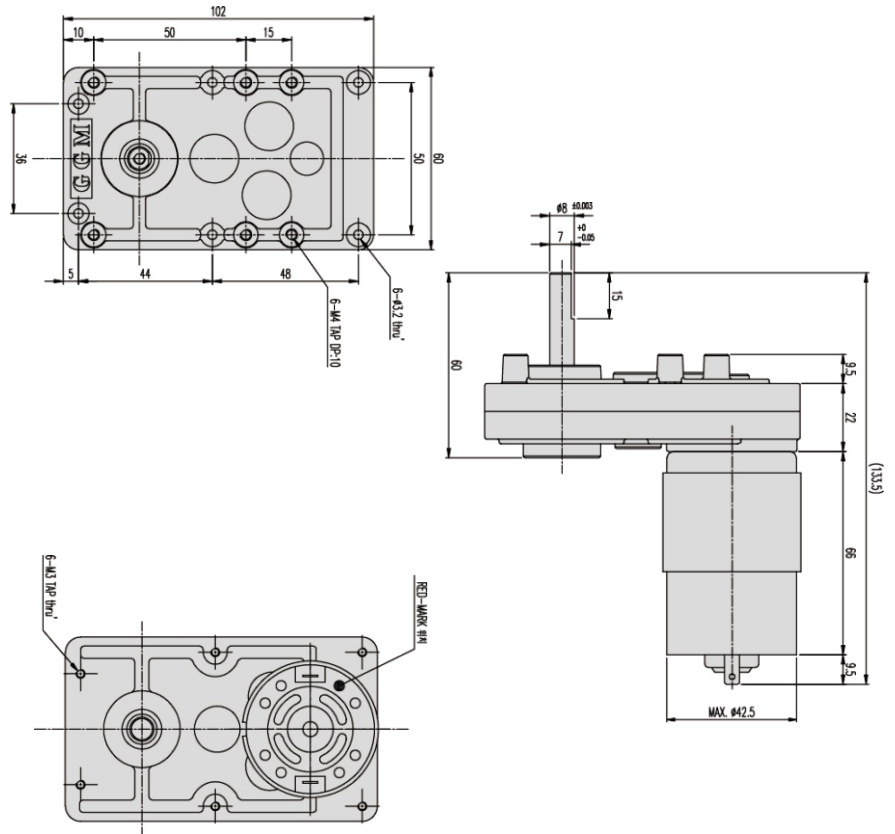
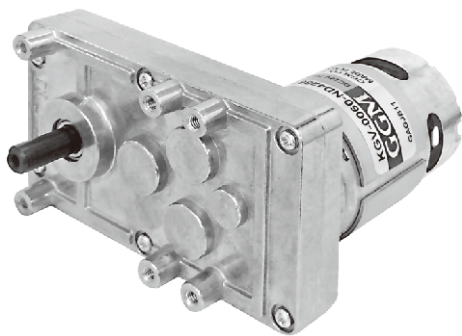
GEAR	MODEL	ND3657U1		ND3657U2	
		DC 12V		DC 24V	
		rpm	kgf-cm	rpm	kgf-cm
1/60		83	6.9	83	6.9
1/90		55	10.4	55	10.4
1/105		47	12	47	12
1/120		41	13.9	41	13.9

* Output shaft rotates CW when connect motor (+) cable to (+) power.

KGV-TYPE

DIMENSIONS

KGV-4266 SERIES



MOTOR PERFORMANCE DATA

MODEL	ITEM	VOLTAGE (DC)	NO LOAD		AT MAX. EFF.			STALL	
			mA	rpm	gf-cm	A	rpm	A	kgf-cm
ND4266T1		12V	1	7000	520	3.8	5900	24	3.8
ND4266T2		24V	0.5			1.8		13	4.3

AT MAXIMUM EFFICIENCY

GEAR	MODEL	ND4266T1		ND4266T2	
		DC 12V		DC 24V	
		rpm	kgf-cm	rpm	kgf-cm
1/60		98	18	98	18
1/90		65	20	65	20
1/105		56	20	56	20
1/120		49	20	49	20

* Output shaft rotates CW when connect motor (+) cable to (+) power.