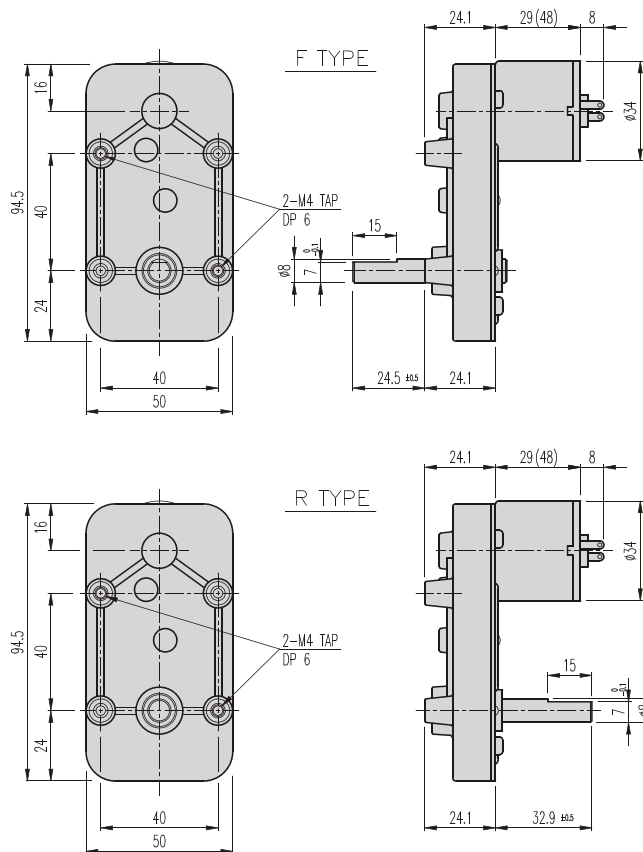


KGN-TYPE

DIMENSIONS

KGN SERIES



AT MAXIMUM EFFICIENCY (3429 SERIES)

MODEL \ GEAR	KD1-3429-050		KD2-3429-050		KD1-3429-075		KD2-3429-075		KD1-3429-095		KD2-3429-095	
	DC 12V		DC 24V		DC 12V		DC 24V		DC 12V		DC 24V	
	rpm	kgf.cm	rpm	kgf.cm	rpm	kgf.cm	rpm	kgf.cm	rpm	kgf.cm	rpm	kgf.cm
1/043	104.7	1.3	104.7	1.3	151	1.3	151	1.3	186	2.5	186	1.3
1/050	90	1.5	90	1.5	130	1.5	130	1.5	160	2.9	160	1.5
1/105	42.9	3	42.9	3	62	3	62	3	76.2	6	76.2	3

* These gear ratios are opposite rotation direction with motor.

AT MAXIMUM EFFICIENCY (3448 SERIES)

MODEL \ GEAR	KD1-3448-050		KD2-3448-050		KD1-3448-075		KD2-3448-075		KD1-3448-090		KD2-3448-090	
	DC 12V		DC 24V		DC 12V		DC 24V		DC 12V		DC 24V	
	rpm	kgf.cm	rpm	kgf.cm	rpm	kgf.cm	rpm	kgf.cm	rpm	kgf.cm	rpm	kgf.cm
1/043	104.7	2.5	104.7	2.5	151	2.5	151	2.5	186	2.5	186	2.5
1/050	90	2.9	90	2.9	130	2.9	130	2.9	160	2.9	160	2.9
1/105	42.9	6	42.9	6	62	6	62	6	76.2	6	76.2	6

* These gear ratios are opposite rotation direction with motor.