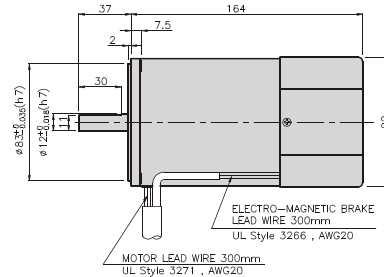
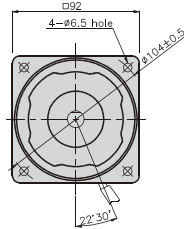


BRAKE MOTOR

60W

□90mm

K9□P60F□-B



SPECIFICATIONS

60W single-phase : 30 minutes rating, three-phase : continuous rating, four poles

Model	Duty	Voltage (V)	Frequency (Hz)	Current (A)	Start T. (N·m / Kgf·cm)	Rated T. (N·m / Kgf·cm)	Speed (rpm)	Condenser (μF)	Friction T. (N·m / (Kgf·cm))		
K9R□60FJ-B K9R□60FU-B K9R□60FL-B K9R□60FC-B K9R□60FD-B	single-phase 30 minutes	100	50	1,48	0,48/4,8	0,47/4,7	1250	25	1/10		
			60	1,66		0,38/3,8	1550				
		K9R□60FU-B	110	115	60	1,25	0,4/4	0,38/3,8	1550	17	1/10
					60	1,31	0,425/4,25				
		K9R□60FL-B	200	50	0,72	0,5/5	0,47/4,7	1250	6	1/10	
				60	0,76	0,44/4,4	0,39/3,9	1500			
		K9R□60FC-B	220	50	0,69	0,45/4,5	0,47/4,7	1250	5	1/10	
				60	0,76	0,48/4,8	0,38/3,8	1550			
				50	0,77	0,5/5	0,47/4,7	1250			
				60	0,79		0,38/3,8	1550			
		K9R□60FD-B	240	50	0,75	0,5/5	0,47/4,7	1250	5	1/10	
		K9I□60FT-B K9I□60FH-B K9I□60FM-B K9I□60FV-B K9I□60FQ-B K9I□60FZ-B	three-phase continuous	200	50	0,49	1,35/13,5	0,45/4,5	1300	-	1/10
60	0,45				1,05/10,5	0,38/3,8	1550				
K9I□60FH-B	220			50	0,55	1,6/16	0,435/4,35	1350	-	1/10	
				60	0,47	1,2/12	0,37/3,7	1600			
K9I□60FM-B	230			50	0,6	1,65/16,5	0,435/4,35	1350	-	1/10	
				60	0,52	1,3/13	0,37/3,7	1600			
K9I□60FV-B	380			50	0,34	1,55/15,5	0,435/4,35	1350	-	1/10	
				60	0,25	1,19/11,9	0,37/3,7	1600			
K9I□60FQ-B	400			50	0,37	1,85/18,5	0,435/4,35	1350	-	1/10	
				60	0,28	1,42/14,2	0,37/3,7	1600			
K9I□60FZ-B	415			50	0,26	1,45/14,5	0,45/4,5	1300	-	1/10	
				60	0,21	1,15/11,5	0,37/3,7	1600			
K9I□60FZ-B	440	50	0,28	1,6/16	0,45/4,5	1300	-	1/10			
		60	0,23	1,25/12,5	0,37/3,7	1600					

* □ : SHAFT SHAPE (S : STRAIGHT, G : PINION)

RATED TORQUE OF GEARHEAD

● 50Hz

unit = above : N · m / below : kgfcm

Model	Speed(rpm)	500	416	300	250	200	166	150	120	100	83	75	60	50	41	37	30	25	20	16	15	12,5	10	8,3	7,5
Motor/ Gearhead	Ratio	3	3,6	5	6	7,5	9	10	12,5	15	18	20	25	30	36	40	50	60	75	90	100	120	150	180	200
K9□60F□-B		1,06	1,27	1,76	2,11	2,64	3,17	3,52	3,96	4,76	5,71	6,34	7,14	8,56	10,27	11,42	14,27	17,12	20	20	20	20	20	20	20
K9P□B, BF		10,6	12,7	17,6	21,1	26,4	31,7	35,2	39,6	47,6	57,1	63,4	71,4	85,6	102,7	114,2	142,7	171,2	200	200	200	200	200	200	200

● 60Hz

unit = above : N · m / below : kgfcm

Model	Speed(rpm)	600	500	360	300	240	200	180	144	120	100	90	72	60	50	45	36	30	24	20	18	15	12	10	9
Motor/ Gearhead	Ratio	3	3,6	5	6	7,5	9	10	12,5	15	18	20	25	30	36	40	50	60	75	90	100	120	150	180	200
K9□60F□-B		0,90	1,08	1,50	1,80	2,25	2,70	3,00	3,37	4,05	4,86	5,39	6,07	7,28	8,74	9,71	12,14	14,57	16,39	19,66	20	20	20	20	20
K9P□B, BF		9,0	10,8	15,0	18,0	22,5	27,0	30,0	33,7	40,5	48,6	53,9	60,7	72,8	87,4	97,1	121,4	145,7	163,9	196,6	200	200	200	200	200

* Gearhead and decimal gearhead are sold separately.

* The code in □ of gearhead model is for gear ratio.

* ■ color indicates that the output shaft of the geared motor rotates in the same direction as the output shaft of the motor. Others indicate rotation in the opposite direction.

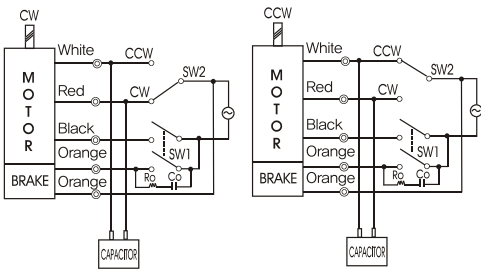
* If you are to have less ratio than the ratio in the table, you can install the decimal gearhead, which has one tenth of the ratio, between the gearhead and the motor. In this case, the permissible torque is 20N · m/200kgfcm.

* RPM is based on motor's synchronous rpm (50HZ:1500rpm, 60HZ:1800rpm) and calculated by dividing gear ratio. Actual rpm is 2~20% less than indicating rpm according to load size.

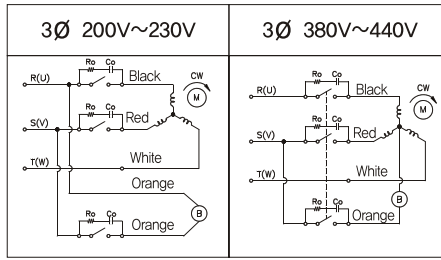
GEARHEADS

CONNECTION DIAGRAMS

single phase motor



three phase motor



connecting two leadwires of U,V,W in turns

※The direction of motor rotation is as viewed from the front shaft end of the motor

Connect Cr circuit for absorbing serge voltage as connection diagram to protect contact point.
 $R_o = 5 - 200\Omega$
 $C_o = 0,1 \sim 0,2\mu F$ 200WV(400WV)

DIMENSIONS

K9P□B

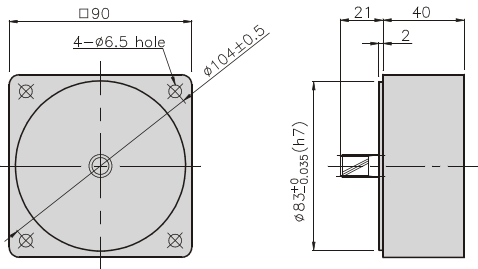


K9P□BF



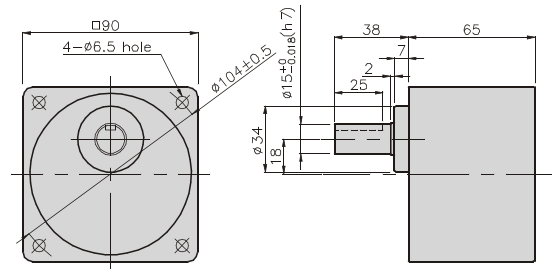
DECIMAL GEARHEAD

K9P10BX



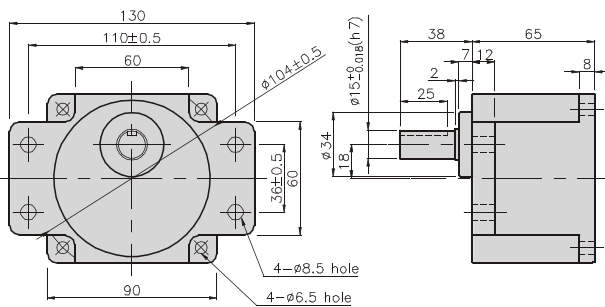
GEARHEAD

K9P□B

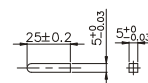


GEARHEAD

K9P□BF



● KEY



● KEY GROOVE



GEARHEADS

DIMENSIONS

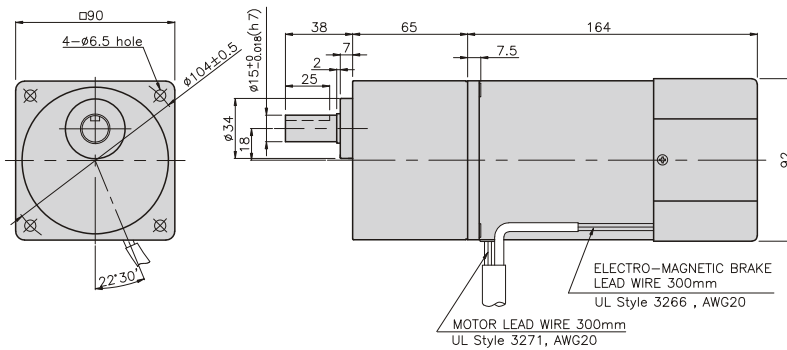
K9□P60F□-B + K9P□B



K9□P60F□-B + K9P□BF



K9□P60F□-B + K9P□B



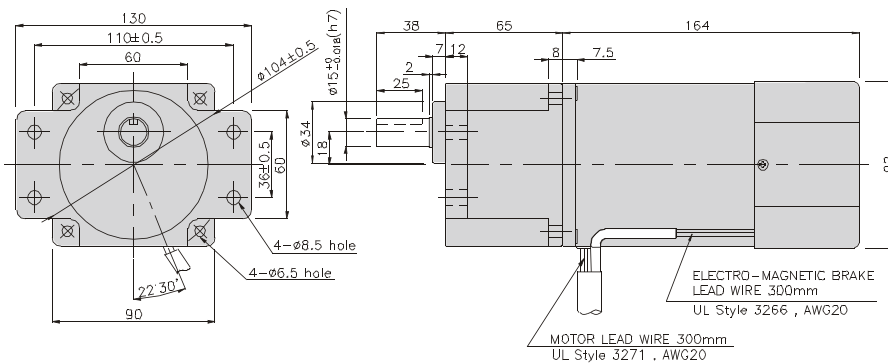
DIMENSION TABLE

PART No	L	Application Model	Mounting BOLT
01	65	K9P3~200B	M6 P1.0 X 25
02	40	K9P10BX	M6 P1.0 X 140

WEIGHT

PART	WEIGHT(kg)	
MOTOR	3.08	
DECIMAL GEAR HEAD	0.62	
GEAR HEAD	K9P3~10B	1.22
	K9P12.5~20B	1.32
	K9P25~60B	1.42
	K9P75~200B	1.45

K9□P60F□-B + K9P□BF



DIMENSION TABLE

PART No	L	Application Model	Mounting BOLT
01	65	K9P3~200BF	M6 P1.0 X 25
02	40	K9P10BX	M6 P1.0 X 65

WEIGHT

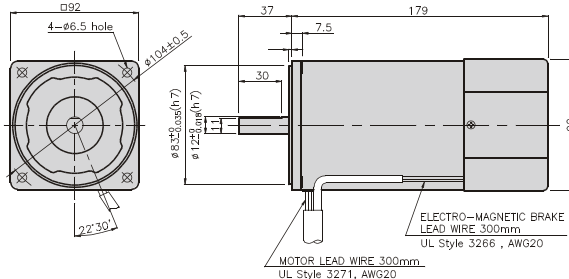
PART	WEIGHT(kg)	
MOTOR	3.08	
DECIMAL GEAR HEAD	0.62	
GEAR HEAD	K9P3~10BF	1.22
	K9P12.5~20BF	1.30
	K9P25~60BF	1.42
	K9P75~200BF	1.44

BRAKE MOTOR

90W

□90mm

K9□S9F□-B



SPECIFICATIONS

90W single-phase : 30 minutes rating, three-phase : continuous rating, four poles

Model	Duty	Voltage (V)	Frequency (Hz)	Current (A)	Start T. (N*m/ Kg*cm)	Rated T. (N*m/ Kg*cm)	Speed (rpm)	Condenser (μF)	Friction T. (N*m/ Kg*cm)
K9R□90FJ-B	single-phase 30 minutes	100	50	2,52	0,6/6	0,705/7,05	1250	35	1/10
			60	2,42		0,57/5,7	1550		
K9R□90FU-B		110	60	1,88	0,55/5,5	0,57/5,7	1550	25	1/10
				2,12					
K9R□90FL-B		200	50	0,9	0,55/5,5	0,705/7,05	1250	8	1/10
				60		1,1	0,57/5,7		
K9R□90FC-B		220	50	1	0,5/5	0,705/7,05	1250	7	1/10
				60		1,1	0,53/5,3		
K9R□90FD-B		230	50	1,3	0,6/6	0,705/7,05	1250	6	1/10
				60		1,1	0,57/5,7		
K9R□90FT-B	three-phase continuous	200	50	0,79	2,25/22,5	0,65/6,5	1350	-	1/10
			60	0,72	1,75/17,5	0,55/5,5	1600		
K9I□90FH-B		220	50	0,72	2,35/23,5	0,65/6,5	1350	-	1/10
				60	0,63	1,8/18	0,55/5,5		
K9I□90FM-B		230	50	0,86	2,45/24,5	0,65/6,5	1350	-	1/10
				60	0,66	1,95/19,5	0,55/5,5		
K9I□90FM-B		380	50	0,43	2,35/23,5	0,65/6,5	1350	-	1/10
				60	0,37	1,7/17	0,55/5,5		
K9I□90FV-B		400	50	0,52	2,65/26,5	0,65/6,5	1350	-	1/10
				60	0,45	2,1/21	0,55/5,5		
K9I□90FQ-B	415	50	0,39	2/20	0,68/6,8	1300	-	1/10	
			60	0,31	1,5/15	0,55/5,5			1600
K9I□90FZ-B	440	50	0,45	2,1/21	0,68/6,8	1300	-	1/10	
			60	0,39	1,7/17	0,55/5,5			1600

* □ : SHAFT SHAPE (S : STRAIGHT, G : PINION)

RATED TORQUE OF GEARHEAD

● 50Hz

unit = above : N · m / below : kgfcm

Model	Speed(rpm)	500	416	300	250	200	166	150	120	100	83	75	60	50	41	37	30	25	20	16	15	12,5	10	8,3	7,5
Motor/ Gearhead	Ratio	3	3,6	5	6	7,5	9	10	12,5	15	18	20	25	30	36	40	50	60	75	90	100	120	150	180	200
K9□P90F□-B		1,58	1,90	2,63	3,16	3,95	4,74	5,27	5,92	7,11	8,53	9,48	10,66	12,79	15,35	17,06	20	20	20	20	20	20	20	20	20
K9P□B, BF		15,8	19,0	26,3	31,6	39,5	47,4	52,7	59,2	71,1	85,3	94,8	106,6	127,9	153,5	170,6	200	200	200	200	200	200	200	200	200

● 60Hz

unit = above : N · m / below : kgfcm

Model	Speed(rpm)	600	500	360	300	240	200	180	144	120	100	90	72	60	50	45	36	30	24	20	18	15	12	10	9
Motor/ Gearhead	Ratio	3	3,6	5	6	7,5	9	10	12,5	15	18	20	25	30	36	40	50	60	75	90	100	120	150	180	200
K9□P90F□-B		1,34	1,60	2,23	2,67	3,34	4,01	4,46	5,01	6,01	7,22	8,02	9,02	10,83	12,99	14,43	18,0	20	20	20	20	20	20	20	20
K9P□B, BF		13,4	16,0	22,3	26,7	33,4	40,1	44,6	50,1	60,1	72,2	80,2	90,2	108,3	129,9	144,3	180	200	200	200	200	200	200	200	200

* Gearhead and decimal gearhead are sold separately.

* The code in □ of gearhead model is for gear ratio.

* ■ color indicates that the output shaft of the geared motor rotates in the same direction as the output shaft of the motor. Others indicate rotation in the opposite direction.

* If you are to have less ratio than the ratio in the table, you can install the decimal gearhead, which has one tenth of the ratio, between the gearhead and the motor. In this case, the permissible torque is 20N · m/200kgfcm.

* RPM is based on motor's synchronous rpm (50HZ:1500rpm, 60HZ:1800rpm) and calculated by dividing gear ratio. Actual rpm is 2~20% less than indicating rpm according to load size.

GEARHEADS

RATED TORQUE OF GEARHEAD

● 50Hz

unit = above : N · m / below : kgfcm

Model	Speed(rpm)	500	416	300	250	200	166	150	120	100	82	75	60	50	41	37	30	25	20	16	15	13	10	8,3	7,5
Motor/ Gearhead	Ratio	3	3,6	5	6	7,5	9	10	12,5	15	18	20	25	30	36	40	50	60	75	90	100	120	150	180	200
K9□P90F□-B K9P□BU, BUF		1,58	1,90	2,63	3,16	3,95	4,74	5,27	5,92	7,11	8,53	9,48	10,66	12,79	15,35	17,06	21,32	25,59	30	30	30	30	30	30	30
		15,8	19,0	26,3	31,6	39,5	47,4	52,7	59,2	71,1	85,3	94,8	106,6	127,9	153,5	170,6	213,2	255,9	300	300	300	300	300	300	300

● 60Hz

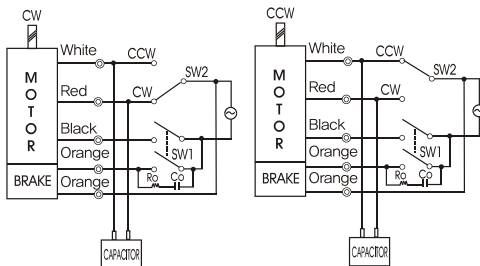
unit = above : N · m / below : kgfcm

Model	Speed(rpm)	600	500	360	300	240	200	180	144	120	100	90	72	60	50	45	36	30	24	20	18	15	12	10	9
Motor/ Gearhead	Ratio	3	3,6	5	6	7,5	9	10	12,5	15	18	20	25	30	36	40	50	60	75	90	100	120	150	180	200
K9□P90F□-B K9P□BU, BUF		1,34	1,60	2,23	2,67	3,34	4,01	4,46	5,01	6,01	7,22	8,02	9,02	10,83	12,99	14,43	18,04	21,65	24,36	30	30	30	30	30	30
		13,4	16,0	22,3	26,7	33,4	40,1	44,6	50,1	60,1	72,2	80,2	90,2	108,3	129,9	144,3	180,4	216,5	243,6	300	300	300	300	300	300

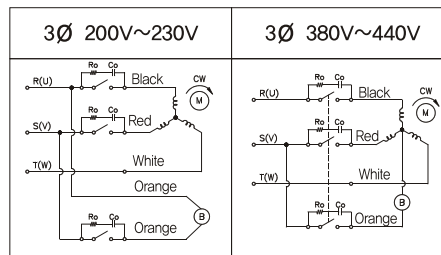
- * Gearhead and decimal gearhead are sold separately.
- * The code in □ of gearhead model is for gear ratio.
- * ■ color indicates that the output shaft of the geared motor rotates in the same direction as the output shaft of the motor. Others indicate rotation in the opposite direction.
- * If you are to have less ratio than the ratio in the table, you can install the decimal gearhead, which has one tenth of the ratio, between the gearhead and the motor. In this case, the permissible torque is 30N · m/300kgfcm.
- * RPM is based on motor's synchronous rpm (50HZ:1500rpm, 60HZ:1800rpm) and calculated by dividing gear ratio. Actual rpm is 2~20% less than indicating rpm according to load size.

CONNECTION DIAGRAMS

single phase motor



three phase motor



connecting two leadwires of U,V,W in turns

※The direction of motor rotation is as viewed from the front shaft end of the motor

Connect Cr circuit for absorbing surge voltage as connection diagram to protect contact point.
 $R_o = 5 - 200\Omega$
 $C_o = 0,1 \sim 0,2\mu F$ 200WV(400WV)

GEARHEADS

DIMENSIONS

K9P□B



K9P□BF, BUF

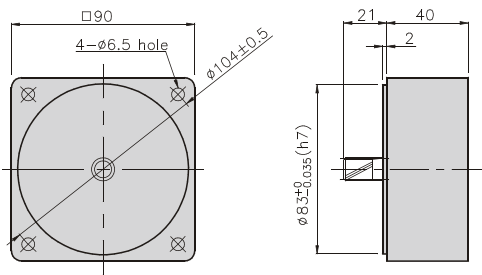


K9P□BU



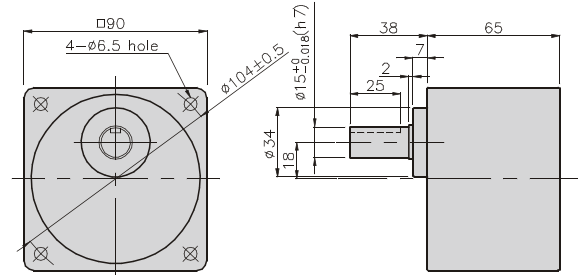
DECIMAL GEARHEAD

K9P10BX



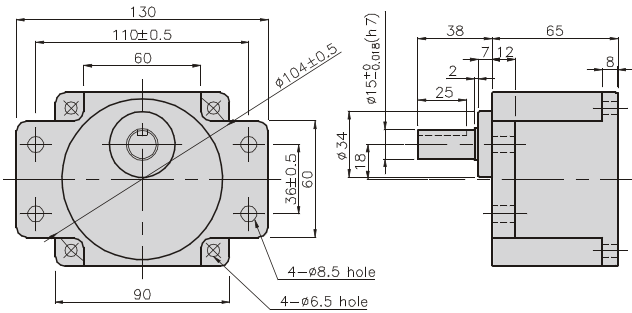
GEARHEAD

K9P□B



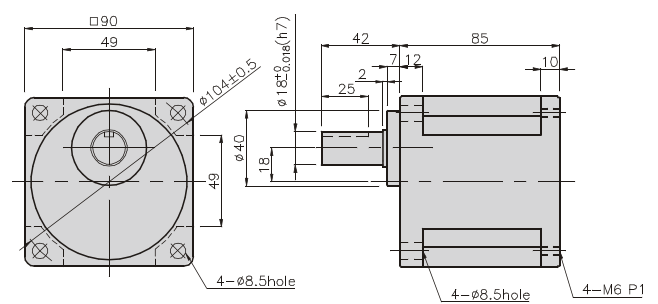
GEARHEAD

K9P□BF



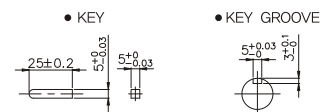
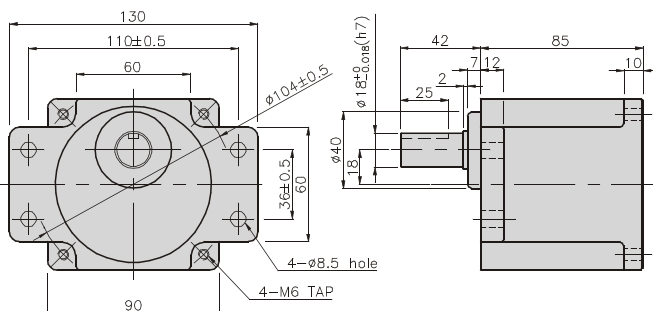
GEARHEAD

K9P□BU



GEARHEAD

K9P□BUF



GEARHEADS

DIMENSIONS

K9□P90F□-B + K9P□B



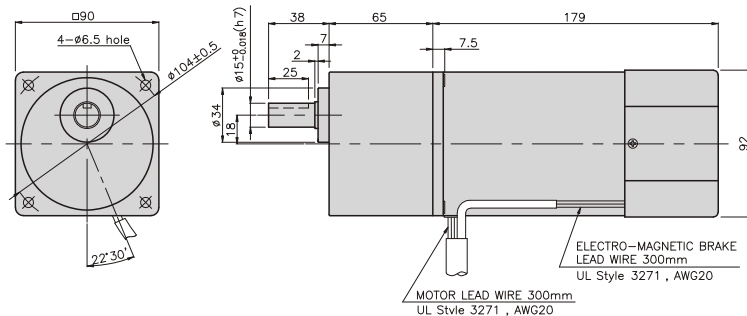
K9□P90F-B + K9P□BF, BUF



K9□P90F□-B + K9P□BU



K9□P90F□-B + K9P□B



WEIGHT

PART	WEIGHT(kg)
MOTOR	3,60
DECIMAL GEAR HEAD	0,62

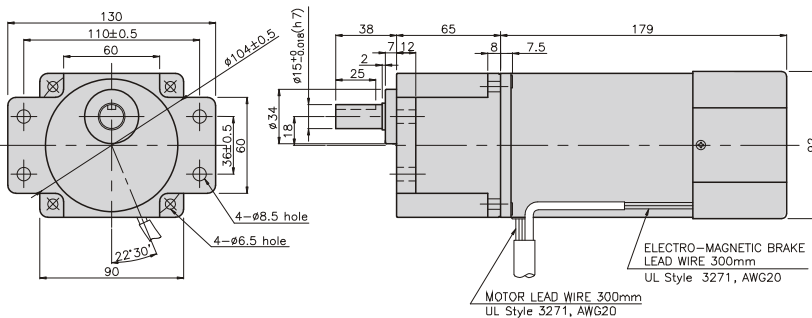
DIMENSION TABLE

PART No	L	Application Model	Mounting BOLT
01	65	K9P3~200B	M6 P1,0 X 95
02	40	K9P10BX	M6 P1,0 X 140

WEIGHT

PART	WEIGHT(kg)
K9P3~10B	1,22
K9P12,5~20B	1,32
K9P25~60B	1,42
K9P75~200B	1,45

K9□P90F-B + K9P□BF



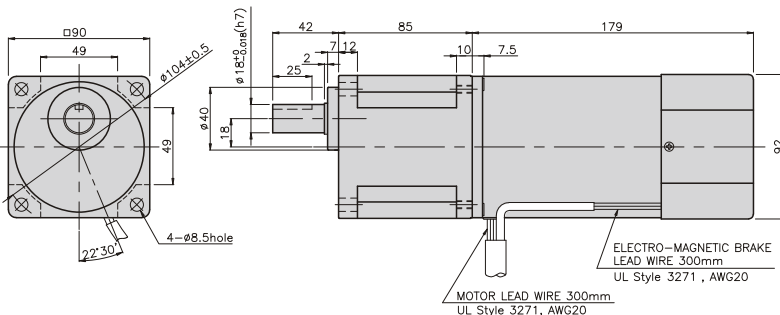
DIMENSION TABLE

PART No	L	Application Model	Mounting BOLT
01	65	K9P3~200BF	M6 P1,0 X 25
02	40	K9P10BX	M6 P1,0 X 65

WEIGHT

PART	WEIGHT(kg)
K9P3~10BF	1,22
K9P12,5~20BF	1,30
K9P25~60BF	1,42
K9P75~200BF	1,44

K9□P90F□-B + K9P□BU



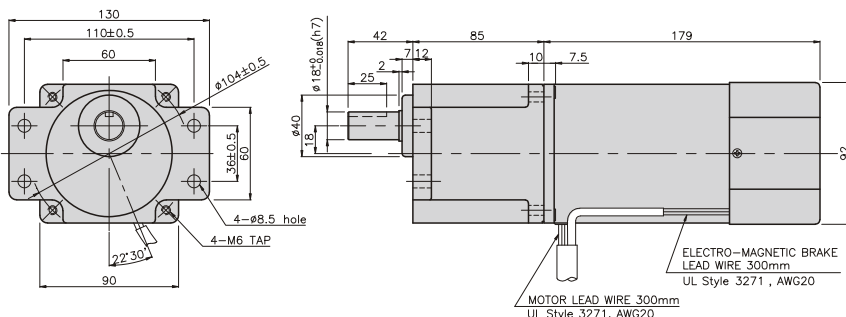
DIMENSION TABLE

PART No	L	Application Model	Mounting BOLT
01	85	K9P3~200BU	M6 P1,0 X 20
02	40	K9P10BX	M6 P1,0 X 60

WEIGHT

PART	WEIGHT(kg)
K9P3~10BU	1,44
K9P12,5~20BU	1,55
K9P25~60BU	1,69
K9P75~200BU	1,74

K9□P90F□-B + K9P□BUF



DIMENSION TABLE

PART No	L	Application Model	Mounting BOLT
01	85	K9P3~200BUF	M6 P1,0 X 20
02	40	K9P10BX	M6 P1,0 X 65

WEIGHT

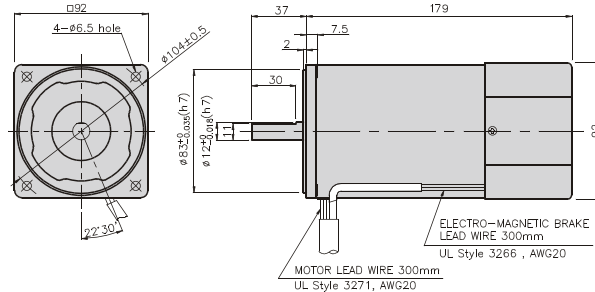
PART	WEIGHT(kg)
K9P3~10BUF	1,50
K9P12,5~20BUF	1,62
K9P25~60BUF	1,76
K9P75~200BUF	1,82

BRAKE MOTOR

120W

□90mm

K9□S120F□-B



SPECIFICATIONS

120W 30 minutes rating, four poles

Model	Duty	Voltage (V)	Frequency (Hz)	Current (A)	Start T. (N*m/ Kgf*cm)	Rated T. (N*m/ Kgf*cm)	Speed (rpm)	Condenser (μF)	Friction T. (N*m/ Kgf*cm)	
K9R□120FJ-B	single-phase 30 minutes	100	50	2,4	0,65/6,5	0,9/9	1300	40	1/10	
			60	2,61	0,7/7	0,755/7,55	1550			
K9R□120FU-B		110	60	1,93	0,6/6	0,755/7,55	1550	25	1/10	
		115		1,88	0,62/6,2					
K9R□120FL-B		200	50	1,07	0,6/6	0,9/9	1300	8,5	1/10	
			60	1,22	0,58/5,8	0,755/7,55	1550	8		
K9R□120FC-B		50	220	50	0,82	0,53/5,3	0,9/9	1300	6	1/10
			230		0,85	0,58/5,8				
			220	60	1	0,63/6,3	0,735/7,35	1600	7	
			230		1,1					
K9R□120FD-B	240	50	0,9	0,58/5,8	0,9/9	1300	6	1/10		

* □ : SHAFT SHAPE (S : STRAIGHT, G : PINION)

RATED TORQUE OF GEARHEAD

● 50Hz

unit = above : N · m / below : kgfcm

Model	Speed(rpm)	500	416	300	250	200	166	150	120	100	83	75	60	50	41	37	30	25	20	16	15	13	10	8,3	7,5
Motor/ Gearhead	Ratio	3	3,6	5	6	7,5	9	10	12,5	15	18	20	25	30	36	40	50	60	75	90	100	120	150	180	200
K9RP120F□-B K9P□B, BF		2,19	2,62	3,65	4,37	5,47	6,56	7,29	8,20	9,84	11,81	13,12	14,76	17,71	20	20	20	20	20	20	20	20	20	20	20
		21,9	26,2	36,5	43,7	54,7	65,6	72,9	82,0	98,4	118,1	131,2	147,6	177,1	200	200	200	200	200	200	200	200	200	200	200

● 60Hz

unit = above : N · m / below : kgfcm

Model	Speed(rpm)	600	500	360	300	240	200	180	144	120	100	90	72	60	50	45	36	30	24	20	18	15	12	10	9
Motor/ Gearhead	Ratio	3	3,6	5	6	7,5	9	10	12,5	15	18	20	25	30	36	40	50	60	75	90	100	120	150	180	200
K9RP120F□-B K9P□B, BF		1,79	2,14	2,98	3,57	4,47	5,36	5,95	6,70	8,04	9,64	10,72	12,06	14,47	17,36	19,29	20	20	20	20	20	20	20	20	20
		17,9	21,4	29,8	35,7	44,7	53,6	59,5	67,0	80,4	96,4	107,2	120,6	144,7	173,6	192,9	200	200	200	200	200	200	200	200	200

* Gearhead and decimal gearhead are sold separately.

* The code in □ of gearhead model is for gear ratio.

* ■ color indicates that the output shaft of the geared motor rotates in the same direction as the output shaft of the motor. Others indicate rotation in the opposite direction.

* If you are to have less ratio than the ratio in the table, you can install the decimal gearhead, which has one tenth of the ratio, between the gearhead and the motor. In this case, the permissible torque is 20N · m/200kgfcm.

* RPM is based on motor's synchronous rpm (50HZ:1500rpm, 60HZ:1800rpm) and calculated by dividing gear ratio. Actual rpm is 2~20% less than indicating rpm according to load size.

GEARHEADS

RATED TORQUE OF GEARHEAD

● 50Hz

unit = above : N·m / below : kgfcm

Model	Speed(rpm)	500	416	300	250	200	166	150	120	100	83	75	60	50	41	37	30	25	20	16	15	13	10	8,3	7,5
Motor/ Gearhead	Ratio	3	3,6	5	6	7,5	9	10	12,5	15	18	20	25	30	36	40	50	60	75	90	100	120	150	180	200
K9RP120F□-B		2,19	2,62	3,65	4,37	5,47	6,56	7,29	8,20	9,84	11,81	13,12	14,76	17,71	21,26	23,62	30	30	30	30	30	30	30	30	30
K9P□BU, BUF		21,9	26,2	36,5	43,7	54,7	65,6	72,9	82,0	98,4	118,2	131,2	147,6	177,1	212,6	236,2	300	300	300	300	300	300	300	300	300

● 60Hz

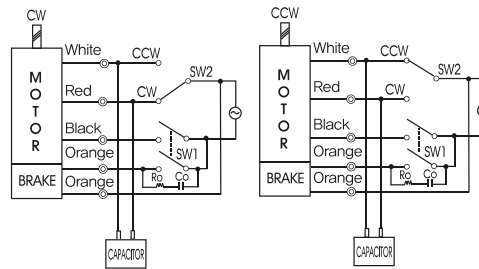
unit = above : N·m / below : kgfcm

Model	Speed(rpm)	600	500	360	300	240	200	180	144	120	100	90	72	60	50	45	36	30	24	20	18	15	12	10	9
Motor/ Gearhead	Ratio	3	3,6	5	6	7,5	9	10	12,5	15	18	20	25	30	36	40	50	60	75	90	100	120	150	180	200
K9RP120F□-B		1,79	2,14	2,98	3,57	4,47	5,36	5,95	6,70	8,04	9,64	10,72	12,06	14,47	17,36	19,29	24,11	28,93	30	30	30	30	30	30	30
K9P□BU, BUF		17,9	21,4	29,8	35,7	44,7	53,6	59,5	67,0	80,4	96,4	107,2	120,6	144,7	173,6	192,9	241,1	289,3	300	300	300	300	300	300	300

- * Gearhead and decimal gearhead are sold separately.
- * The code in □ of gearhead model is for gear ratio.
- * color indicates that the output shaft of the geared motor rotates in the same direction as the output shaft of the motor. Others indicate rotation in the opposite direction.
- * If you are to have less ratio than the ratio in the table, you can install the decimal gearhead, which has one tenth of the ratio, between the gearhead and the motor. In this case, the permissible torque is 30N·m/300kgfcm.
- * RPM is based on motor's synchronous rpm (50HZ:1500rpm, 60HZ:1800rpm) and calculated by dividing gear ratio. Actual rpm is 2~20% less than indicating rpm according to load size.

CONNECTION DIAGRAMS

Connect Cr circuit for absorbing surge voltage as connection diagram to protect contact point.
 $R_o = 5 - 200\Omega$
 $C_o = 0,1 \sim 0,2\mu F \ 200WV(400WV)$



DIMENSION TABLE

PART No	M	Application Model
01	200	50Hz
02	179	60Hz

※The direction of motor rotation is as viewed from the front shaft end of the motor

GEARHEADS

DIMENSIONS

K9P□B



K9P□BF, BUF

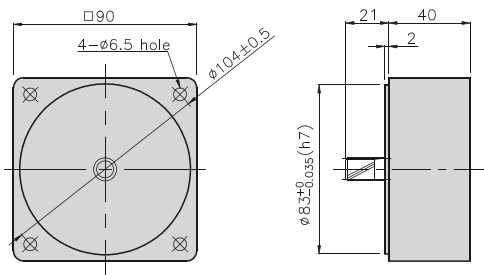


K9P□BU



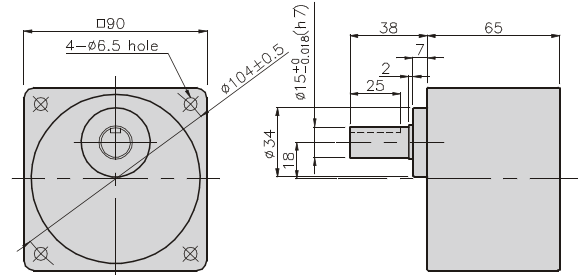
DECIMAL GEARHEAD

K9P10BX



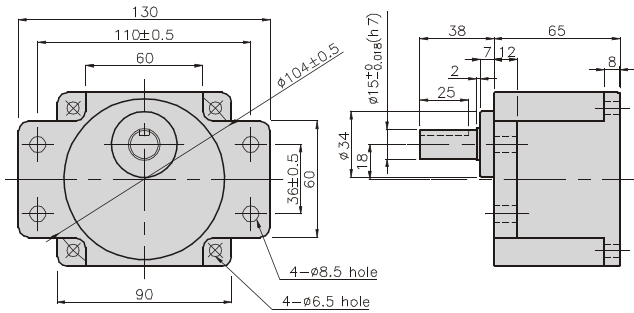
GEARHEAD

K9P□B



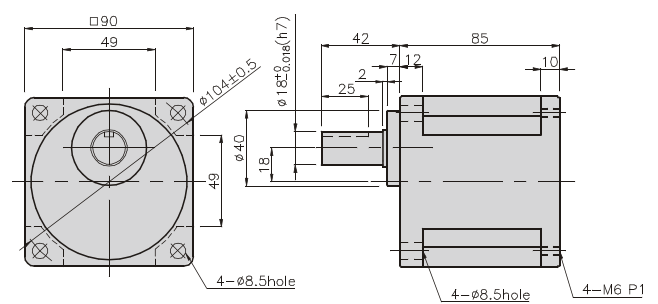
GEARHEAD

K9P□BF



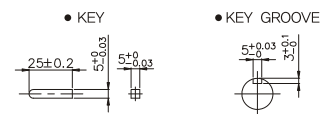
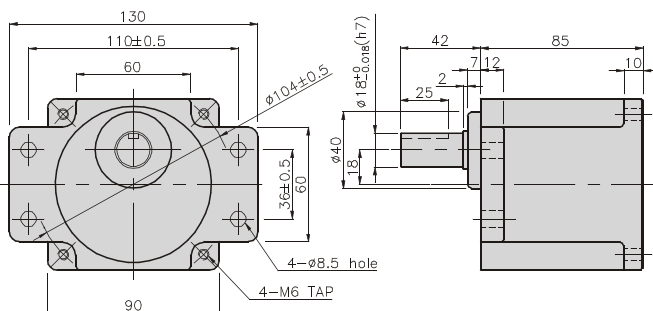
GEARHEAD

K9P□BU



GEARHEAD

K9P□BUF



GEARHEADS

DIMENSIONS

K9□P120F□-B + K9P□B



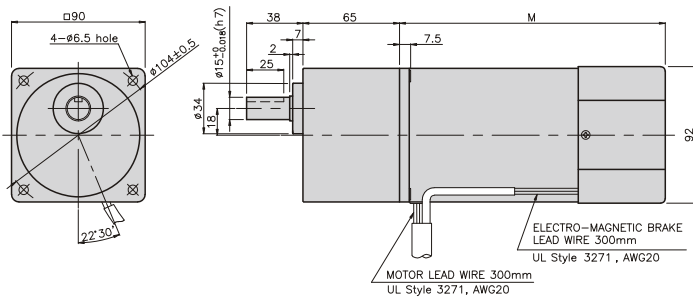
K9□P120F□-B + K9P□BF, BUF



K9□P120F□-B + K9P□BU



K9P120F□-B + K9P□B



WEIGHT

PART	WEIGHT(kg)
MOTOR	3,20
DECIMAL GEAR HEAD	0,62

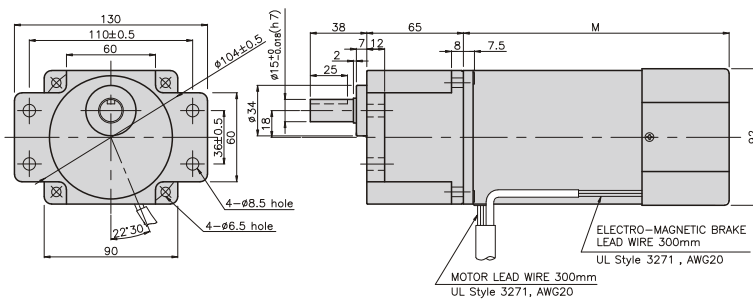
DIMENSION TABLE

PART No	M	Application Model
01	155	50Hz
02	135	60Hz

DIMENSION TABLE

PART No	L	Application Model	Mounting BOLT
01	65	K9P3~200B	M6 P1,0 X 95
02	40	K9P10BX	M6 P1,0 X 140

K9□P120F□-B + K9P□BF



WEIGHT

PART	WEIGHT(kg)
K9P3~10B	1,22
K9P12,5~20B	1,32
K9P25~60B	1,42
K9P75~200B	1,45

DIMENSION TABLE

PART No	L	Application Model	Mounting BOLT
01	65	K9P3~200BF	M6 P1,0 X 25
02	40	K9P10BX	M6 P1,0 X 65

WEIGHT

PART	WEIGHT(kg)
K9P3~10BF	1,22
K9P12,5~20BF	1,30
K9P25~60BF	1,42
K9P75~200BF	1,44

DIMENSION TABLE

PART No	L	Application Model	Mounting BOLT
01	85	K9P3~200BU	M6 P1,0 X 20
02	40	K9P10BX	M6 P1,0 X 60

WEIGHT

PART	WEIGHT(kg)
K9P3~10BU	1,44
K9P12,5~20BU	1,55
K9P25~60BU	1,69
K9P75~200BU	1,74

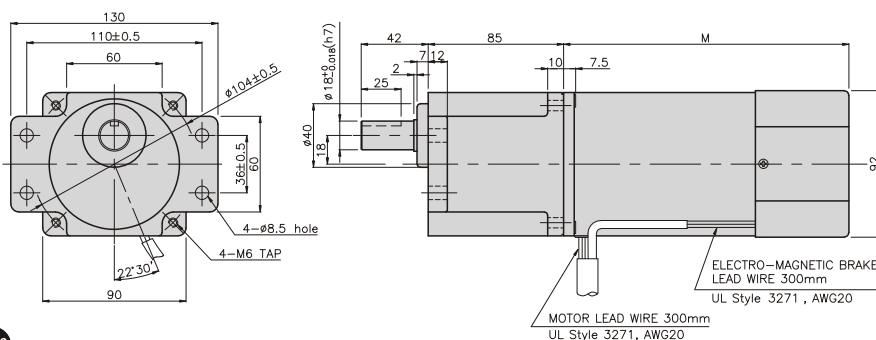
DIMENSION TABLE

PART No	L	Application Model	Mounting BOLT
01	85	K9P3~200BUF	M6 P1,0 X 20
02	40	K9P10BX	M6 P1,0 X 65

WEIGHT

PART	WEIGHT(kg)
K9P3~10BUF	1,50
K9P12,5~20BUF	1,62
K9P25~60BUF	1,76
K9P75~200BUF	1,82

K9P120F□-B + K9P□BUF

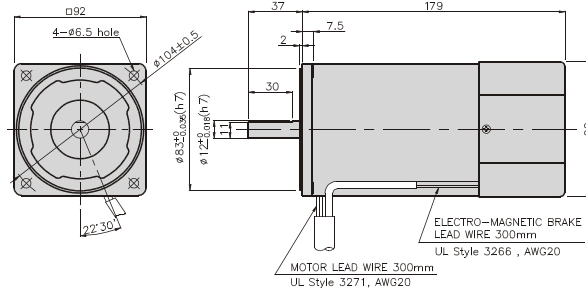


BRAKE MOTOR

150W

□90mm

K9□S150F□-B



SPECIFICATIONS

150W continuous rating, four poles

Model	Duty	Voltage (V)	Frequency (Hz)	Current (A)	Start T. (N*m/ Kgf*cm)	Rated T. (N*m/ Kgf*cm)	Speed (rpm)	Condenser (μF)	Friction T. (N*m/ Kgf*cm)
K9I□150FT-B	single-phase 30 minutes	200	50	1,2	3,5/35	1,13/11,3	1300	-	1/10
			60	0,95	2,65/26,5	0,915/9,15	1600		
K9I□150FH-B		220	50	0,99	2,95/29,5	1,13/11,3	1300	-	1/10
		230		1,1	3/30				
		220	60	0,97	2,5/25	0,915/9,15	1600	-	
		230		1,02	2,7/27				
K9I□150FM-B		380	50	0,57	3/30	1,13/11,3	1300	-	1/10
		60	2,25/22,5		0,915/9,15	1600			
K9I□150FV-B		400	50	0,6	3,5/35	1,13/11,3	1300	-	1/10
		60	2,5/25		0,915/9,15	1600			
K9I□150FQ-B	415	50	0,57	3,15/31,5	1,13/11,3	1300	-	1/10	
	60	0,42	2,35/23,5	0,915/9,15	1600				
K9I□150FZ-B	440	50	0,53	3,3/33	1,085/10,82	1350	-	1/10	
	60	0,44	2,6/26	0,915/9,15	1600				

* □ : SHAFT SHAPE (S : STRAIGHT, G : PINION)

RATED TORQUE OF GEARHEAD

● 50Hz

unit = above : N · m / below : kgfcm

Model	Speed(rpm)	500	416	300	250	200	166	150	120	100	83	75	60	50	41	37	30	25	20	16	15	13	10	8,3	7,5
Motor/ Gearhead	Ratio	3	3,6	5	6	7,5	9	10	12,5	15	18	20	25	30	36	40	50	60	75	90	100	120	150	180	200
K9IP150F□-B K9P□B, BF	2,64	3,16	4,39	5,27	6,59	7,91	8,79	9,89	11,86	14,24	15,82	17,80	20	20	20	20	20	20	20	20	20	20	20	20	20
	26,4	31,6	43,9	52,7	65,9	79,1	87,9	98,9	118,6	142,4	158,2	178,0	200	200	200	200	200	200	200	200	200	200	200	200	200

● 60Hz

unit = above : N · m / below : kgfcm

Model	Speed(rpm)	600	500	360	300	240	200	180	144	120	100	90	72	60	50	45	36	30	24	20	18	15	12	10	9
Motor/ Gearhead	Ratio	3	3,6	5	6	7,5	9	10	12,5	15	18	20	25	30	36	40	50	60	75	90	100	120	150	180	200
K9IP150F□-B K9P□B, BF	2,22	2,67	3,71	4,45	5,56	6,67	7,41	8,34	10,01	12,01	13,34	15,01	18,01	20	20	20	20	20	20	20	20	20	20	20	20
	22,2	26,7	37,1	44,5	55,6	66,7	74,1	83,4	100,1	120,1	133,4	150,1	180,1	200	200	200	200	200	200	200	200	200	200	200	200

- * Gearhead and decimal gearhead are sold separately.
- * The code in □ of gearhead model is for gear ratio.
- * ■ color indicates that the output shaft of the geared motor rotates in the same direction as the output shaft of the motor, Others indicate rotation in the opposite direction.
- * If you are to have less ratio than the ratio in the table, you can install the decimal gearhead, which has one tenth of the ratio, between the gearhead and the motor. In this case, the permissible torque is 20N · m/200kgfcm.
- * RPM is based on motor's synchronous rpm (50HZ:1500rpm, 60HZ:1800rpm) and calculated by dividing gear ratio. Actual rpm is 2~20% less than indicating rpm according to load size.

GEARHEADS

RATED TORQUE OF GEARHEAD

● 50Hz

unit = above : N · m / below : kgfcm

Model Motor/ Gearhead	Speed(rpm)	500	416	300	250	200	166	150	120	100	83	75	60	50	41	37	30	25	20	16	15	13	10	8,3	7,5
	Ratio	3	3,6	5	6	7,5	9	10	12,5	15	18	20	25	30	36	40	50	60	75	90	100	120	150	180	200
K9IP150F□-B K9P□BU, BUF		2,64	3,16	4,39	5,27	6,59	7,91	8,79	9,89	11,86	14,24	15,82	17,80	21,36	25,63	28,47	30	30	30	30	30	30	30	30	30
		26,4	31,6	43,9	52,7	65,9	79,1	87,9	98,9	118,6	142,4	158,2	178,0	213,6	256,3	284,7	300	300	300	300	300	300	300	300	300

● 60Hz

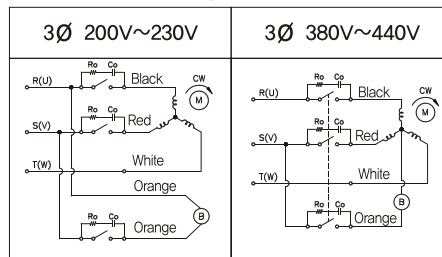
unit = above : N · m / below : kgfcm

Model Motor/ Gearhead	Speed(rpm)	600	500	360	300	240	200	180	144	120	100	90	72	60	50	45	36	30	24	20	18	15	12	10	9
	Ratio	3	3,6	5	6	7,5	9	10	12,5	15	18	20	25	30	36	40	50	60	75	90	100	120	150	180	200
K9IP150F□-B K9P□BU, BUF		2,22	2,67	3,71	4,45	5,56	6,67	7,41	8,34	10,01	12,01	13,34	15,01	18,01	21,61	24,01	30	30	30	30	30	30	30	30	30
		22,2	26,7	37,1	44,5	55,6	66,7	74,1	83,4	100,1	120,1	133,4	150,1	180,1	216,1	240,1	300	300	300	300	300	300	300	300	300

- * Gearhead and decimal gearhead are sold separately.
- * The code in □ of gearhead model is for gear ratio.
- * color indicates that the output shaft of the geared motor rotates in the same direction as the output shaft of the motor. Others indicate rotation in the opposite direction.
- * If you are to have less ratio than the ratio in the table, you can install the decimal gearhead, which has one tenth of the ratio, between the gearhead and the motor. In this case, the permissible torque is $30N \cdot m / 300kgfcm$.
- * RPM is based on motor's synchronous rpm (50HZ:1500rpm, 60HZ:1800rpm) and calculated by dividing gear ratio. Actual rpm is 2~20% less than indicating rpm according to load size.

CONNECTION DIAGRAMS

three phase motor



Connect Cr circuit for absorbing surge voltage as connection diagram to protect contact point.
 $R_o = 5 - 200\Omega$
 $C_o = 0,1 \sim 0,2\mu F$ 200WV(400WV)

DIMENSION TABLE

PART No	M	Application Model
01	200	50Hz
02	179	60Hz

※The direction of motor rotation is as viewed from the front shaft end of the motor connecting two leadwires of U,V,W in turns

GEARHEADS

DIMENSIONS

K9P□B



K9P□BF, BUF

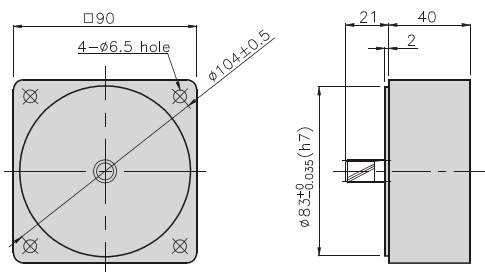


K9P□BU



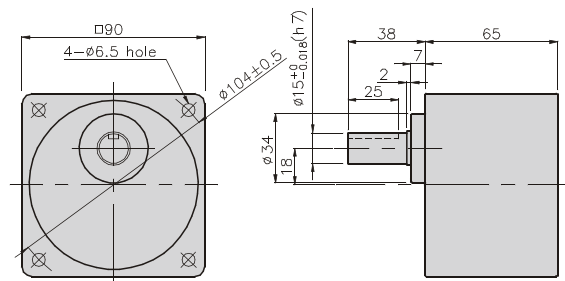
DECIMAL GEARHEAD

K9P10BX



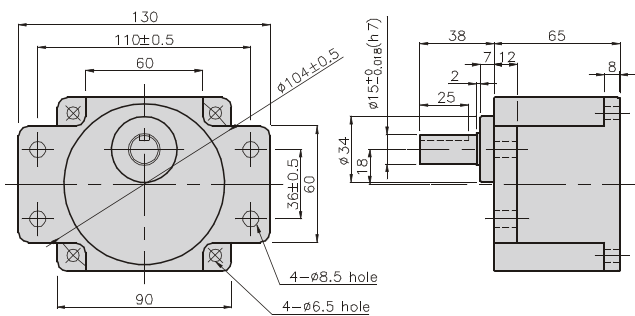
GEARHEAD

K9P□B



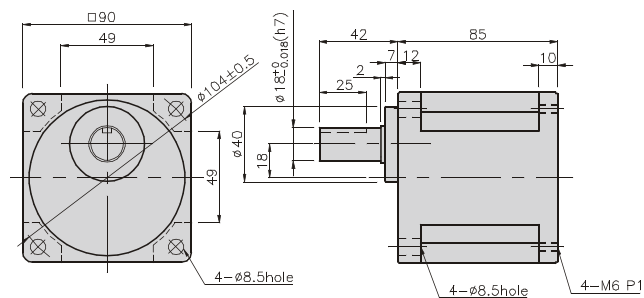
GEARHEAD

K9P□BF



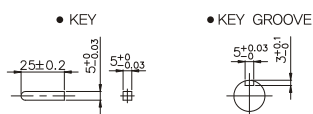
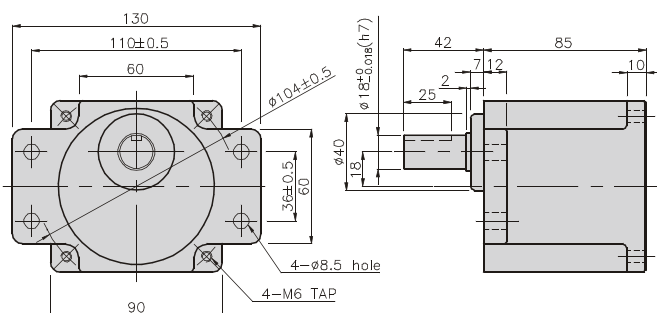
GEARHEAD

K9P□BU



GEARHEAD

K9P□BUF



GEARHEADS

DIMENSIONS

K9□P150F□-B + K9P□B



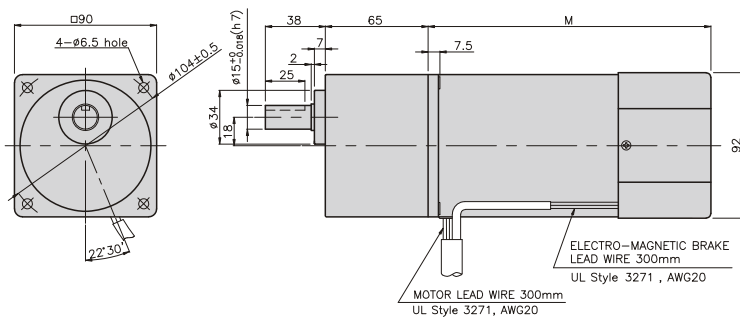
K9□P150F□-B + K9P□BF, BUF



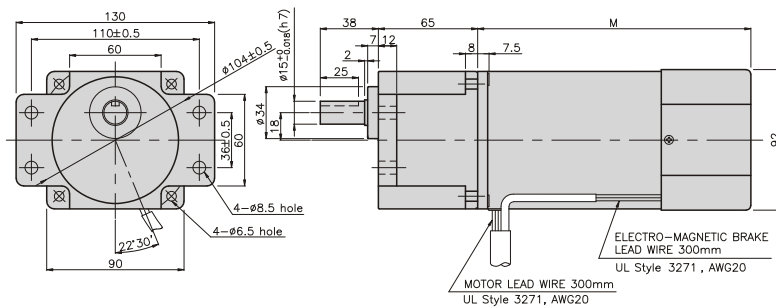
K9□P150F□-B + K9P□BU



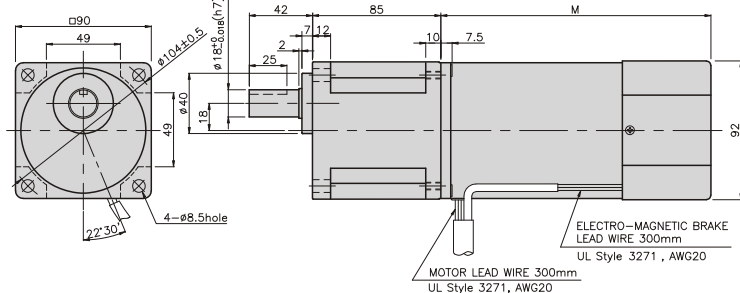
K9IP150F□-B + K9P□B



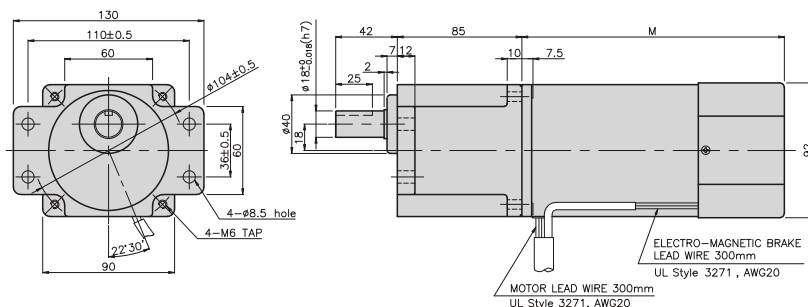
K9IP150F□-B + K9P□BF



K9IP150F□-B + K9P□BU



K9IP150F□-B + K9P□BUF



WEIGHT

PART	WEIGHT(kg)
MOTOR	4.38(50Hz)
	3.66(60Hz)
DECIMAL GEAR HEAD	0.62

DIMENSION TABLE

PART No	M	Application Model
01	155	50Hz
02	135	60Hz

DIMENSION TABLE

PART No	L	Application Model	Mounting BOLT
01	65	K9P3~200B	M6 P1,0 X 95
02	40	K9P10BX	M6 P1,0 X 140

WEIGHT

PART	WEIGHT(kg)
K9P3~10B	1.22
K9P12.5~20B	1.32
K9P25~60B	1.42
K9P75~200B	1.45

DIMENSION TABLE

PART No	L	Application Model	Mounting BOLT
01	85	K9P3~200BF	M6 P1,0 X 25
02	40	K9P10BX	M6 P1,0 X 65

WEIGHT

PART	WEIGHT(kg)
K9P3~10BF	1.22
K9P12.5~20BF	1.30
K9P25~60BF	1.42
K9P75~200BF	1.44

DIMENSION TABLE

PART No	L	Application Model	Mounting BOLT
01	85	K9P3~200BU	M6 P1,0 X 20
02	40	K9P10BX	M6 P1,0 X 60

WEIGHT

PART	WEIGHT(kg)
K9P3~10BU	1.44
K9P12.5~20BU	1.55
K9P25~60BU	1.69
K9P75~200BU	1.74

DIMENSION TABLE

PART No	L	Application Model	Mounting BOLT
01	85	K9P3~200BUF	M6 P1,0 X 20
02	40	K9P10BX	M6 P1,0 X 65

WEIGHT

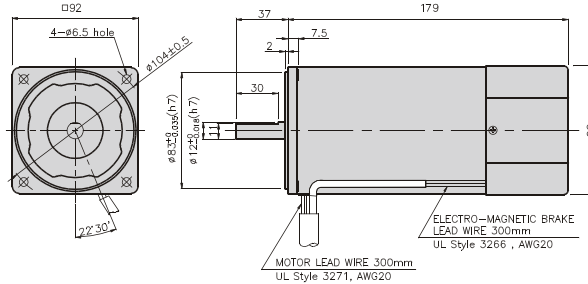
PART	WEIGHT(kg)
K9P3~10BUF	1.50
K9P12.5~20BUF	1.62
K9P25~60BUF	1.76
K9P75~200BUF	1.82

BRAKE MOTOR

180W

□90mm

K9□S180F□-B



SPECIFICATIONS

180W 30 minutes rating, four poles

Model	Duty	Voltage (V)	Frequency (Hz)	Current (A)	Start T. (N*m/Kgf*cm)	Rated T. (N*m/Kgf*cm)	Speed (rpm)	Condenser (μF)	Friction T. (N*m/Kgf*cm)
K9R□180FJ-B	single-phase 30 minutes	100	50	3,1	0,7/7	1,35/13,5	1300	40	1/10
			60	2,95	0,75/7,5	1,1/11			
K9R□180FU-B		110	2,9	60	0,85/8,5	1,1/11	1600	40	1/10
		115							
K9I□180FL-B		200	50	1,47	0,65/6,5	1,35/13,5	1300	12	1/10
			60	1,43	0,55/5,5	1,1/11			
K9R□180FC-B		220	50	1,58	0,65/0,6	1,35/13,5	1300	8	1/10
			60	1,38	0,6/6	1,1/11			
		230	50	1,7	0,7/7	1,35/13,5	1300		
			60	1,54	0,65/6,5	1,1/11	1600		
K9R□180FD-B	240	50	1,2	0,7/7	1,35/13,5	1300	8	1/10	

* □ : SHAFT SHAPE (S : STRAIGHT, G : PINION)

RATED TORQUE OF GEARHEAD

● 50Hz

unit = above : N · m / below : kgfcm

Model Motor/ Gearhead	Speed(rpm)	600	500	360	300	240	200	180	144	120	100	90	72	60	50	45	36	30	24	20	18	15	12	10	9
	Ratio	3	3,6	5	6	7,5	9	10	12,5	15	18	20	25	30	36	40	50	60	75	90	100	120	150	180	200
K9RP180F□-B		3,28	3,94	5,47	6,56	8,20	9,84	10,94	12,30	14,76	17,71	19,68	22,14	26,57	30	30	30	30	30	30	30	30	30	30	30
K9P□BU, BUF		32,8	39,4	54,7	65,6	82,0	98,4	109,4	123,0	147,6	177,1	196,8	221,4	265,7	300	300	300	300	300	300	300	300	300	300	300

● 60Hz

unit = above : N · m / below : kgfcm

Model Motor/ Gearhead	Speed(rpm)	600	500	360	300	240	200	180	144	120	100	90	72	60	50	45	36	30	24	29	18	15	12	10	9
	Ratio	3	3,6	5	6	7,5	9	10	12,5	15	18	20	25	30	36	40	50	60	75	90	100	120	150	180	200
K9RP180F□-B		2,67	3,21	4,46	5,35	6,68	8,02	8,91	10,02	12,03	14,43	16,04	18,04	21,65	25,98	28,87	30	30	30	30	30	30	30	30	30
K9P□BU, BUF		26,7	32,1	44,6	53,5	66,8	80,2	89,1	100,2	120,3	144,3	160,4	180,4	216,5	259,8	288,7	300	300	300	300	300	300	300	300	300

* Gearhead and decimal gearhead are sold separately.

* The code in □ of gearhead model is for gear ratio.

* ■ color indicates that the output shaft of the geared motor rotates in the same direction as the output shaft of the motor, Others indicate rotation in the opposite direction.

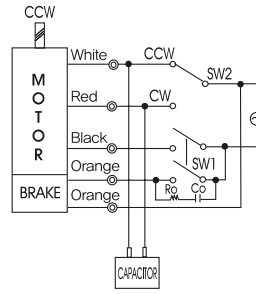
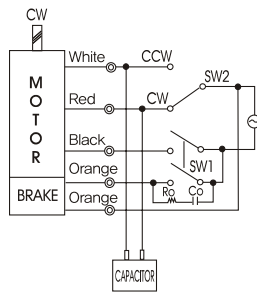
* If you are to have less ratio than the ratio in the table, you can install the decimal gearhead, which has one tenth of the ratio, between the gearhead and the motor. In this case, the permissible torque is 30N · m/300kgfcm.

* RPM is based on motor's synchronous rpm (50HZ:1500rpm, 60HZ:1800rpm) and calculated by dividing gear ratio. Actual rpm is 2~20% less than indicating rpm according to load size.

GEARHEADS

CONNECTION DIAGRAMS

Connect Cr circuit for absorbing surge voltage as connection diagram to protect contact point,
 $R_o = 5 - 200\Omega$
 $C_o = 0,1 \sim 0,2\mu F$ 200WV(400WV)



※The direction of motor rotation is as viewed from the front shaft end of the motor

DIMENSIONS

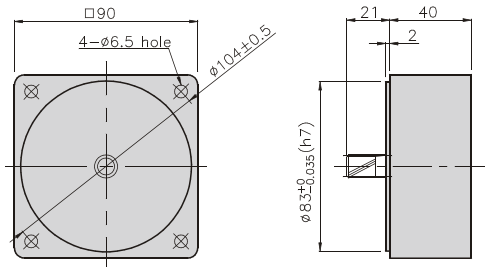
K9P□BU



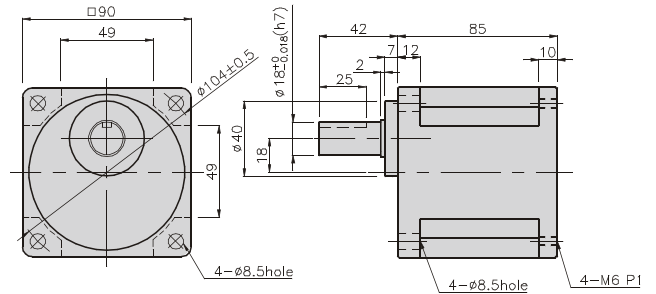
K9P□BUF



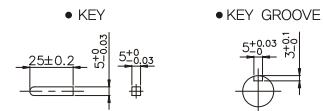
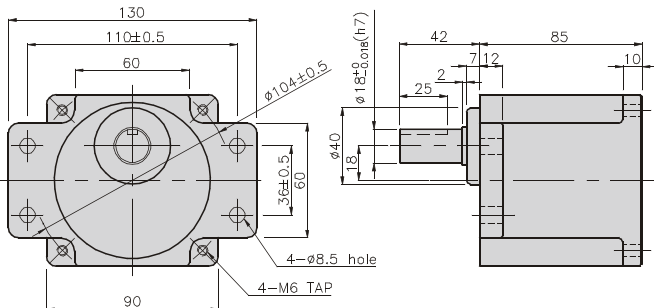
DECIMAL GEARHEAD
K9P10BX



GEARHEAD
K9P□BU



GEARHEAD
K9P□BUF



GEARHEADS

DIMENSIONS

K9RP180F□-B + K9P□BU



K9RP180F□-B + K9P□BUF



WEIGHT

PART	WEIGHT(kg)
MOTOR	4,34
DECIMAL GEAR HEAD	0,62

DIMENSION TABLE

PART No	L	Application Model	Mounting BOLT
01	85	K9P3~200B	M6 P1,0 X 20
02	40	K9P10BX	M6 P1,0 X 60

WEIGHT

PART	WEIGHT(kg)
K9P3~10BU	1,44
K9P12,5~20BU	1,55
K9P25~60BU	1,69
K9P75~200BU	1,74

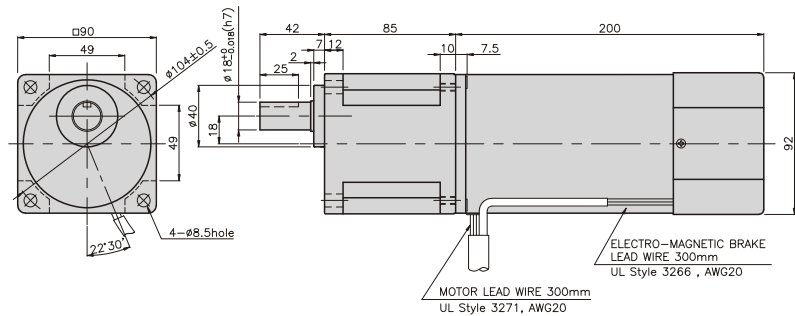
DIMENSION TABLE

PART No	L	Application Model	Mounting BOLT
01	85	K9P3~200BUF	M6 P1,0 X 20
02	40	K9P10BX	M6 P1,0 X 65

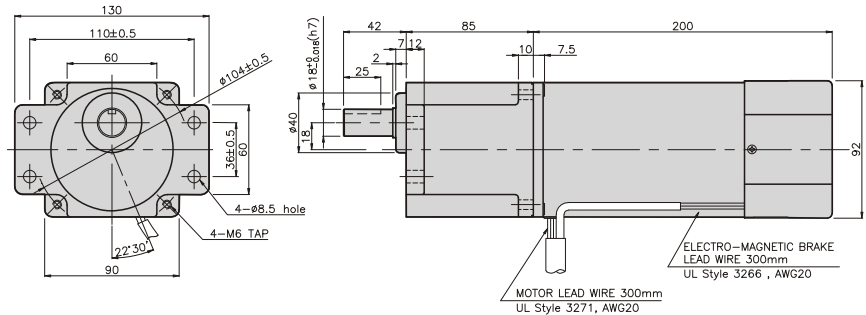
WEIGHT

PART	WEIGHT(kg)
K9P3~10BUF	1,50
K9P12,5~20BUF	1,62
K9P25~60BUF	1,76
K9P75~200BUF	1,82

K9RP180F□-B + K9P□BU



K9RP180F□-B + K9P□BUF

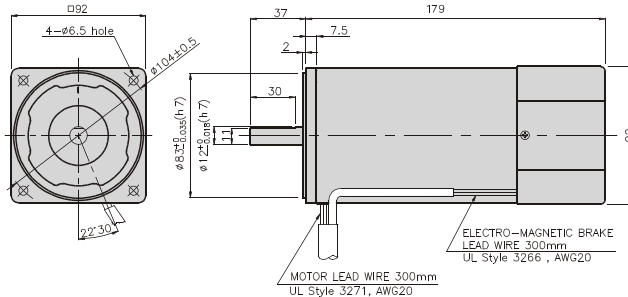


BRAKE MOTOR

200W

□90mm

K9□S200F□-B



SPECIFICATIONS

200W continuous rating, four poles

Model	Duty	Voltage (V)	Frequency (Hz)	Current (A)	Start T. (N*m/Kgf*cm)	Rated T. (N*m/Kgf*cm)	Speed (rpm)	Condenser (μF)	Friction T. (N*m/Kgf*cm)
K9I□200FT-B	single-phase 30 minutes	200	50	1,62	4/40	1,5/15	1300	-	1/10
			60	1,29	3,15/31,5	1,22/12,1	1600		
K9I□200FH-B		220	50	1,36	4,25/42,5	1,45/14,5	1350	-	1/10
			60	1,06	3,4/34	1,22/12,2	1600		
		230	50	1,51	4,3/43	1,45/14,5	1350	-	
			60	1,15	3,5/35	1,22/12,2	1600		
K9I□200FM-B		380	50	0,81	4,3/43	1,45/45,5	1350	-	1/10
			60	0,58	3,6/36	1,22/12,2	1600		
K9I□200FV-B		400	50	0,91	4,5/45	1,45/14,5	1350	-	1/10
			60	0,67	4/40	1,22/12,2	1600		
K9I□200FQ-B	415	50	0,62	3,8/38	1,5/15	1300	-	1/10	
		60	0,58	3/30	1,26/12,6	1550			
K9I□200FZ-B	440	50	0,68	4,1/41	1,5/15	1300	-	1/10	
		60	0,54	3/30	1,22/12,2	1600			

* □ : SHAFT SHAPE (S : STRAIGHT, G : PINION)

RATED TORQUE OF GEARHEAD

● 50Hz

unit = above : N · m / below : kgfcm

Model Motor/ Gearhead	Speed(rpm)	500	416	300	250	200	166	150	120	100	83	75	60	50	41	37	30	25	20	16	15	13	10	8,3	7,5
	Ratio	3	3,6	5	6	7,5	9	10	12,5	15	18	20	25	30	36	40	50	60	75	90	100	120	150	180	200
K9IP200F□-B K9P□BU, BUF		3,52	4,23	5,87	7,05	8,81	10,57	11,75	13,21	15,86	19,03	21,14	23,78	28,54	30	30	30	30	30	30	30	30	30	30	30
		35,2	42,3	58,7	70,5	88,1	105,7	117,5	132,1	158,6	190,3	211,4	237,8	285,4	300	300	300	300	300	300	300	300	300	300	300

● 60Hz

unit = above : N · m / below : kgfcm

Model Motor/ Gearhead	Speed(rpm)	600	500	360	300	240	200	180	144	120	100	90	72	60	50	45	36	30	24	20	18	15	12	10	9
	Ratio	3	3,6	5	6	7,5	9	10	12,5	15	18	20	25	30	36	40	50	60	75	90	100	120	150	180	200
K9IP200F□-B K9P□BU, BUF		2,96	3,56	4,94	5,93	7,41	8,89	9,88	11,12	13,34	16,01	17,79	20,01	24,01	28,82	30	30	30	30	30	30	30	30	30	30
		29,6	35,6	49,4	59,3	74,1	88,9	98,8	111,2	133,4	160,1	177,9	200,1	240,1	288,2	300	300	300	300	300	300	300	300	300	300

* Gearhead and decimal gearhead are sold separately.

* The code in □ of gearhead model is for gear ratio.

* ■ color indicates that the output shaft of the geared motor rotates in the same direction as the output shaft of the motor. Others indicate rotation in the opposite direction.

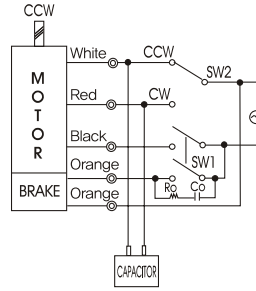
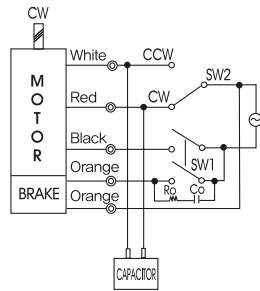
* If you are to have less ratio than the ratio in the table, you can install the decimal gearhead, which has one tenth of the ratio, between the gearhead and the motor. In this case, the permissible torque is 30N · m/300kgfcm.

* RPM is based on motor's synchronous rpm (50HZ:1500rpm, 60HZ:1800rpm) and calculated by dividing gear ratio. Actual rpm is 2~20% less than indicating rpm according to load size.

GEARHEADS

CONNECTION DIAGRAMS

Connect Cr circuit for absorbing surge voltage as connection diagram to protect contact point.
 $R_o = 5 - 200\Omega$
 $C_o = 0,1 \sim 0,2\mu F \ 200WV(400WV)$



※The direction of motor rotation is as viewed from the front shaft end of the motor

DIMENSIONS

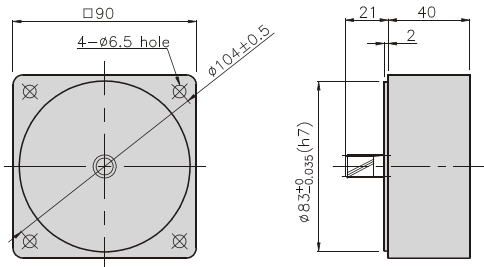
K9P□BU



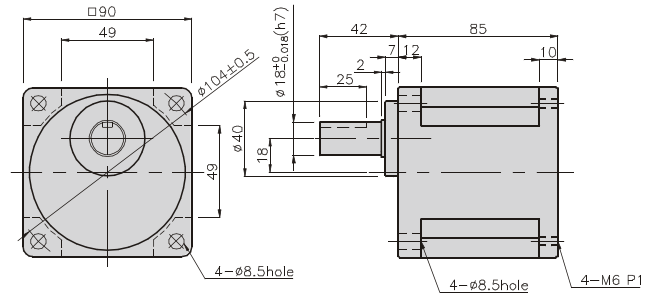
K9P□BUF



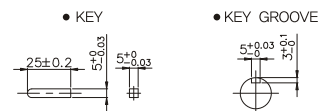
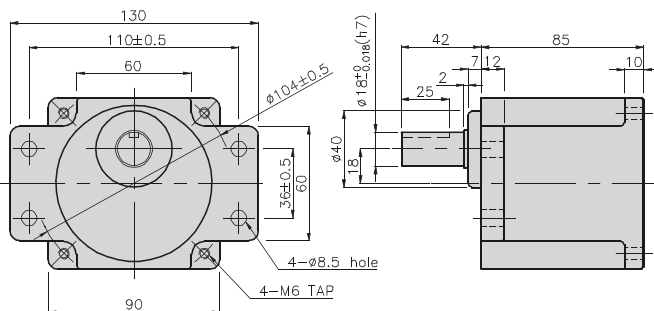
DECIMAL GEARHEAD
K9P10BX



GEARHEAD
K9P□BU



GEARHEAD
K9P□BUF



GEARHEADS

DIMENSIONS

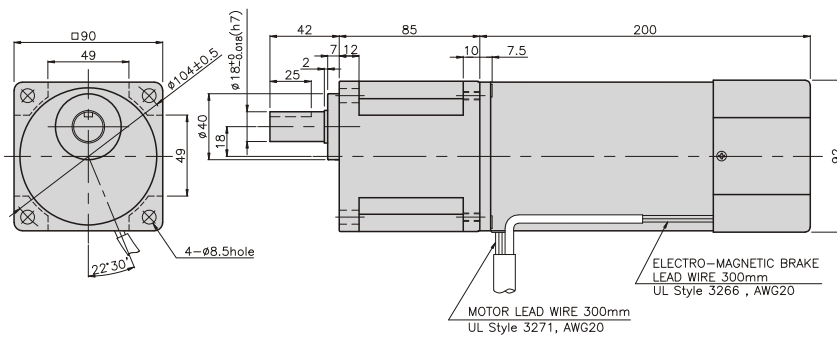
K9□P200F□ + K9P□BU



K9□P200F□ + K9P□BUF



K9IP200F□-B + K9P□BU



WEIGHT

PART	WEIGHT(kg)
MOTOR	4,38
DECIMAL GEAR HEAD	0,62

DIMENSION TABLE

PART No	L	Application Model	Mounting BOLT
01	85	K9P3~200BU	M6 P1,0 X 20
02	40	K9P10BX	M6 P1,0 X 60

WEIGHT

PART	WEIGHT(kg)
K9P3~10BU	1,44
K9P12,5~20BU	1,55
K9P25~60BU	1,69
K9P75~200BU	1,74

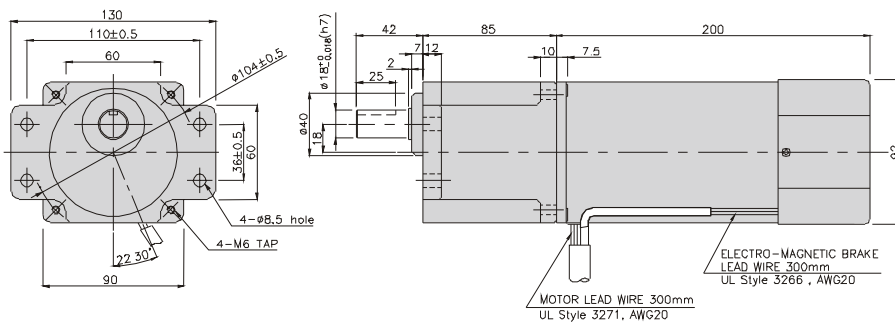
DIMENSION TABLE

PART No	L	Application Model	Mounting BOLT
01	85	K9P3~200BUF	M6 P1,0 X 20
02	40	K9P10BX	M6 P1,0 X 65

WEIGHT

PART	WEIGHT(kg)
K9P3~10BUF	1,50
K9P12,5~20BUF	1,62
K9P25~60BUF	1,76
K9P75~200BUF	1,82

K9IP200F□-B + K9P□BUF



INDUCTION MOTOR

60W

□90mm

LEAD WIRE TYPE TERMINAL BOX TYPE

K9IS60F□



K9IS60F□-T, T5



SPECIFICATIONS

60W continuous rating, four poles

Model	Voltage (V)	Frequency (Hz)	Current (A)	Start T. (N·m/ Kgf·Cm)	Rated T. (N·m, Kgf·Cm)	Speed (rpm)	Condenser (μF)	
single-phase	100	50	1,36	0,38/3,8	0,47/4,7	1250	20	
		60	1,37		0,38/3,8	1550		
	110	60	1,21	0,37/3,7	0,38/3,8	1550	16	
			1,27					
	200	50	0,67	0,4/4	0,47/4,7	1250	5	
		60	0,69		0,38/3,8	1550		
	K9I□60FC(-T, -T5)	220	50	0,58	0,38/3,8	0,47/4,7	1250	4
			60	0,57		0,38/3,8	1550	
		230	50	0,63	0,4/4	0,47/4,7	1250	
			60	0,63		0,38/3,8	1550	
	K9I□60FD(-T, -T5)	240	50	0,69	0,44/4,4	0,47/4,7	1250	4
	K9I□60FT(-T, -T5)	200	50	0,49	1,35/13,5	0,45/4,5	1300	-
60			0,45	1,05/10,5	0,38/3,8	1550		
K9I□60FH(-T, -T5)	220	50	0,55	1,6/16	0,435/4,35	1350	-	
		60	0,47	1,2/12	0,37/3,7	1600		
	230	50	0,6	1,65/16,5	0,435/4,35	1350		
		60	0,52	1,3/13	0,37/3,7	1600		
	K9I□60FM(-T, -T5)	380	50	0,34	1,55/15,5	0,435/4,35		1350
			60	0,25	1,19/11,9	0,37/3,7		1600
K9I□60FV(-T, -T5)	400	50	0,37	1,85/18,5	0,435/4,35	1350		
		60	0,28	1,42/14,2	0,37/3,7	1600		
K9I□60FQ(-T, -T5)	415	50	0,26	1,45/14,5	0,45/4,5	1300		
		60	0,21	1,15/11,5	0,37/3,7	1600		
K9I□60FZ(-T, -T5)	440	50	0,28	1,6/16	0,45/4,5	1300		
		60	0,23	1,25/12,5	0,37/3,7	1600		

* □ : SHAFT SHAPE (S : STRAIGHT, P : PINION)

RATED TORQUE OF GEARHEAD

● 50Hz

unit = above : N·m / below : kgfcm

Model Motor/ Gearhead	Speed(rpm)	500	416	300	250	200	166	150	120	100	83	70	60	50	41	37	30	25	20	16	15	12,5	10	8,3	7,5
	Ratio	3	3,6	5	6	7,5	9	10	12,5	15	18	20	25	30	36	40	50	60	75	90	100	120	150	180	200
K9I□60F□(-T, -T5) K9P□B, BF	1,06	1,27	1,76	2,11	2,64	3,17	3,52	3,96	4,76	5,71	6,34	7,14	8,56	10,27	11,42	14,27	17,12	20	20	20	20	20	20	20	20
	10,6	12,7	17,6	21,1	26,4	31,7	35,2	39,6	47,6	57,1	63,4	71,4	85,6	102,7	114,2	142,7	171,2	200	200	200	200	200	200	200	200

● 60Hz

unit = above : N·m / below : kgfcm

Model Motor/ Gearhead	Speed(rpm)	600	500	360	300	240	200	180	144	120	100	90	72	60	50	45	36	30	24	20	18	15	12	10	9
	Ratio	3	3,6	5	6	7,5	9	10	12,5	15	18	20	25	30	36	40	50	60	75	90	100	120	150	180	200
K9I□60F□(-T, -T5) K9P□B, BF	0,90	1,08	1,50	1,80	2,25	2,70	3,00	3,37	4,05	4,86	5,39	6,07	7,28	8,74	9,71	12,14	14,57	16,39	20	20	20	20	20	20	20
	9,0	10,8	15,0	18,0	22,5	27,0	30,0	33,7	40,5	48,6	53,9	60,7	72,8	87,4	97,1	121,4	145,7	163,9	200	200	200	200	200	200	200

* Gearhead and decimal gearhead are sold separately.

* The code in □ of gearhead model is for gear ratio.

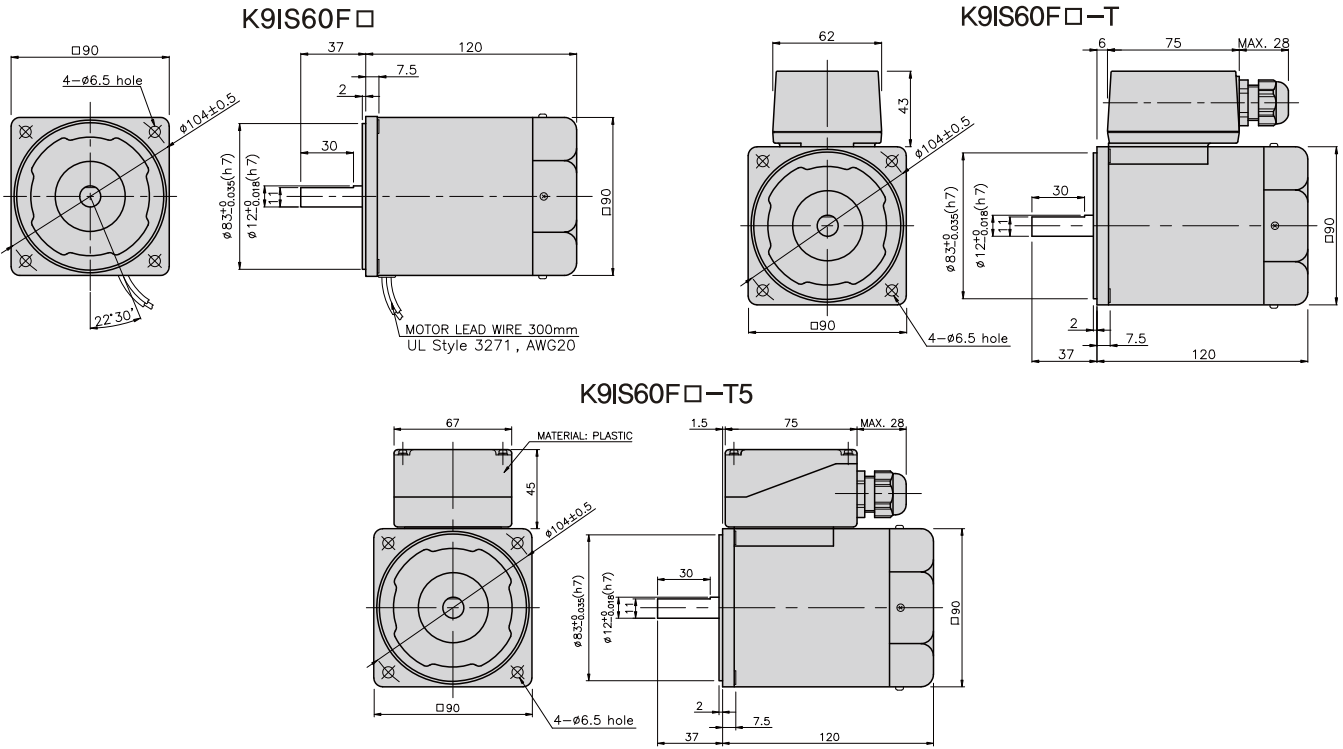
* ■ color indicates that the output shaft of the geared motor rotates in the same direction as the output shaft of the motor. Others indicate rotation in the opposite direction.

* If you are to have less ratio than the ratio in the table, you can install the decimal gearhead, which has one tenth of the ratio, between the gearhead and the motor. In this case, the permissible torque is 20N·m/200kgfcm.

* RPM is based on motor's synchronous rpm (50Hz:1500rpm, 60Hz:1800rpm) and calculated by dividing gear ratio. Actual rpm is 2~20% less than indicating rpm according to load size.

GEARHEADS

DIMENSIONS

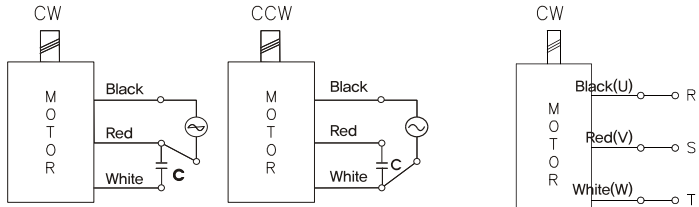


CONNECTION DIAGRAMS

K9IS60F□

single phase motor

three phase motor



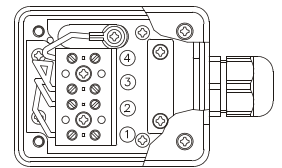
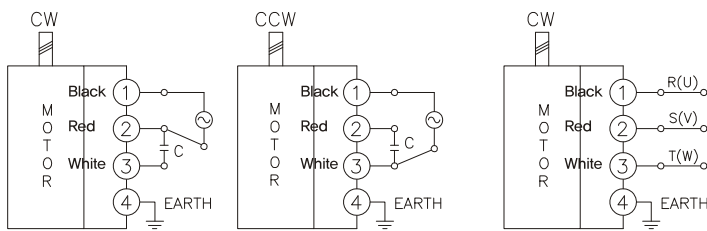
connecting two leadwires of U,V,W in turns

The direction of motor rotation is as viewed from the front shaft end of the motor

K9IS60F□-T

single phase motor

three phase motor

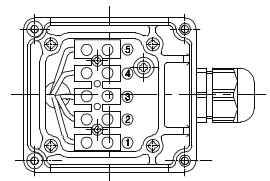
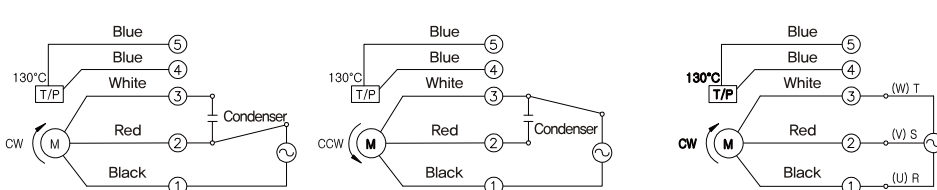


The direction of motor rotation is as viewed from the front shaft end of the motor

K9IS60F□-T5

single phase motor

three phase motor



connecting two leadwires of U,V,W in turns

The direction of motor rotation is as viewed from the front shaft end of the motor

GEARHEADS

DIMENSIONS

K9P□B

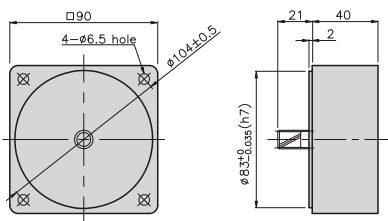


K9P□BF



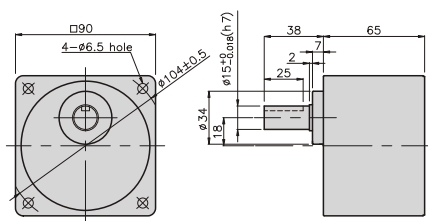
DECIMAL GEARHEAD

K9P10BX

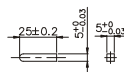


GEAR HEAD

K9P□B



• KEY

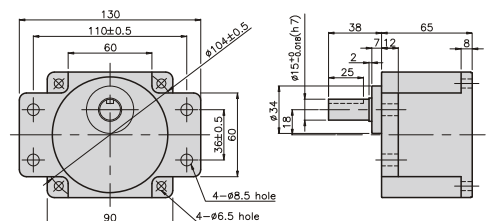


• KEY GROOVE



GEARHEAD

K9P□BF



• KEY



• KEY GROOVE



GEARHEADS

DIMENSIONS

K9IP60F□ + K9P□B



K9IP60F□ + K9P□BF



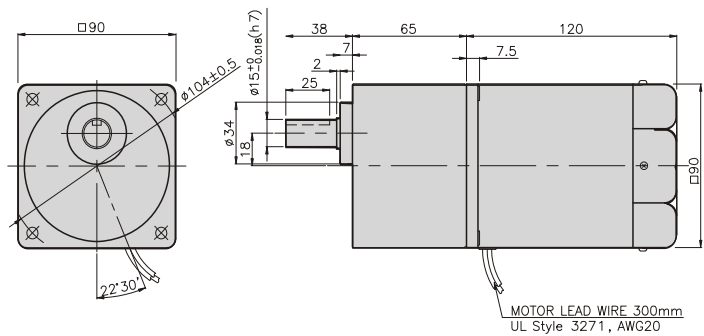
DIMENSION TABLE

PART No	L	Application Model	Mounting BOLT
01	65	K9P3~200B	M6 P1,0 X 95
02	40	K9P10BX	M6 P1,0 X 140

WEIGHT

PART	WEIGHT(kg)	
MOTOR	2,50	
DECIMAL GEAR HEAD	0,62	
GEAR HEAD	K9P3~10B	1,22
	K9P12,5~20B	1,32
	K9P25~60B	1,42
	K9P75~200B	1,45

K9IP60F□ + K9P□B



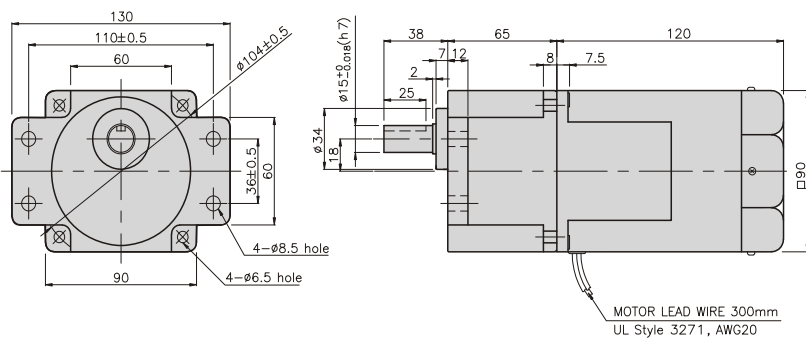
DIMENSION TABLE

PART No	L	Application Model	Mounting BOLT
01	65	K9P3~200BF	M6 P1,0 X 25
02	40	K9P10BX	M6 P1,0 X 65

WEIGHT

PART	WEIGHT(kg)	
MOTOR	3,00	
DECIMAL GEAR HEAD	0,62	
GEAR HEAD	K9P3~10BF	1,22
	K9P12,5~20BF	1,30
	K9P25~60BF	1,42
	K9P75~200BF	1,44

K9IP60F□ + K9P□BF



GEARHEADS

DIMENSIONS

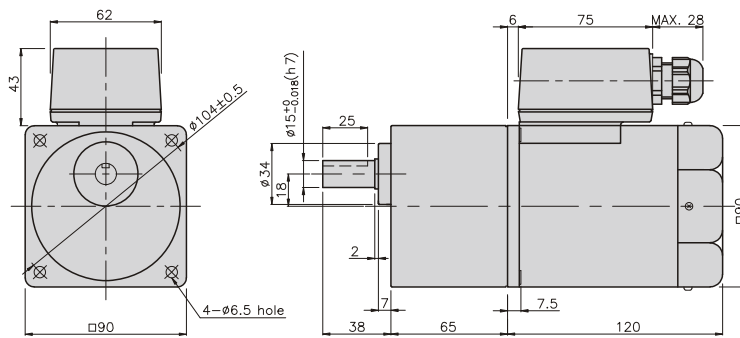
K9IP60F□-T + K9P□B



K9IP60F□-T + K9P□BF



K9IP60F□-T + K9P□B



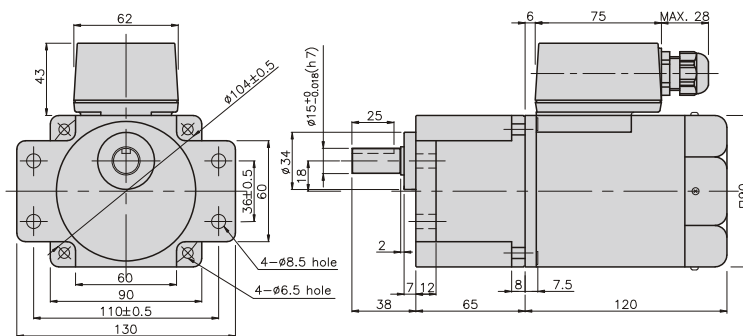
DIMENSION TABLE

PART No	L	Application Model	Mounting BOLT
01	65	K9P3~200B	M6 P1,0 X 95
02	40	K9P10BX	M6 P1,0 X 140

WEIGHT

PART	WEIGHT(kg)	
MOTOR	2,68	
DECIMAL GEAR HEAD	0,62	
GEAR HEAD	K9P3~10B	1,22
	K9P12,5~20B	1,32
	K9P25~60B	1,42
	K9P75~200B	1,45

K9IP60F□-T + K9P□BF



DIMENSION TABLE

PART No	L	Application Model	Mounting BOLT
01	65	K9P3~200B	M6 P1,0 X 95
02	40	K9P10BX	M6 P1,0 X 140

WEIGHT

PART	WEIGHT(kg)	
MOTOR	2,68	
DECIMAL GEAR HEAD	0,62	
GEAR HEAD	K9P3~10BF	1,22
	K9P12,5~20BF	1,32
	K9P25~60BF	1,42
	K9P75~200BF	1,45

GEARHEADS

DIMENSIONS

K9IP60F□-T5 + K9P□B



K9IP60F□-T5 + K9P□BF



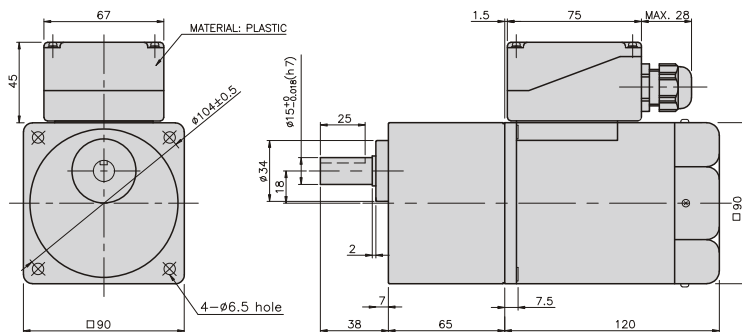
DIMENSION TABLE

PART No	L	Application Model	Mounting BOLT
01	65	K9P3~200B	M6 P1,0 X 95
02	40	K9P10BX	M6 P1,0 X 140

WEIGHT

PART	WEIGHT(kg)	
MOTOR	2,68	
DECIMAL GEAR HEAD	0,62	
GEAR HEAD	K9P3~10B	1,22
	K9P12,5~20B	1,32
	K9P25~60B	1,42
	K9P75~200B	1,45

K9IP60F□-T5 + K9P□B



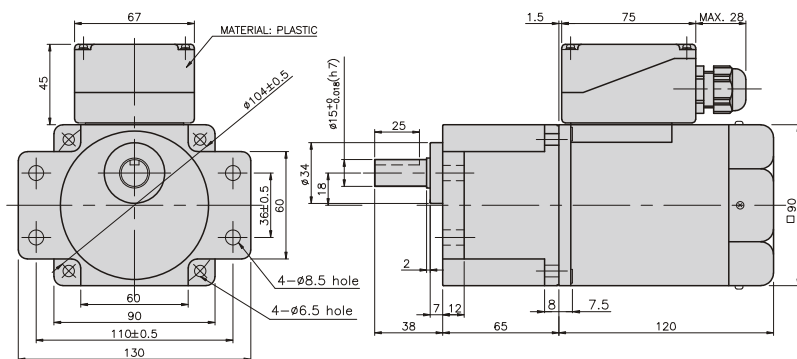
DIMENSION TABLE

PART No	L	Application Model	Mounting BOLT
01	65	K9P3~200B	M6 P1,0 X 95
02	40	K9P10BX	M6 P1,0 X 140

WEIGHT

PART	WEIGHT(kg)	
MOTOR	2,68	
DECIMAL GEAR HEAD	0,62	
GEAR HEAD	K9P3~10BF	1,22
	K9P12,5~20BF	1,32
	K9P25~60BF	1,42
	K9P75~200BF	1,45

K9IP60F□-T5 + K9P□BF



INDUCTION MOTOR

90W

□90mm

LEAD WIRE TYPE TERMINAL BOX TYPE

K9IS90F□



K9IS90F□-T, T5



SPECIFICATIONS

90W continuous rating, four poles

Model		Voltage (V)	Frequency (Hz)	Current (A)	Start T. (N*m/Kgf*cm)	Rated T. (N*m/Kgf*cm)	Speed (rpm)	Condenser (μF)	
K9I□90FJ(-T, -T5)	single-phase	100	50	2,07	0,55/5,5	0,675/6,75	1300	30	
			60	1,97		0,55/5,5	1600		
K9I□90FU(-T, -T5)		110	60	50	1,47	0,44/4,4	0,55/5,5	1600	20
				60	1,52				
K9I□90FL(-T, -T5)		200	50	50	0,75	0,5/5	0,675/6,75	1300	7
				60	0,97		0,57/5,7	1550	
K9I□90FC(-T, -T5)		220	50	50	0,8	0,45/4,5	0,675/6,75	1300	6
				60	0,9		0,57/5,7	1550	
			230	50	0,87	0,55/5,5	0,675/6,75	1300	
				60	0,93		0,57/5,7	1550	
K9I□90FD(-T, -T5)	240	50	0,85	0,5/5	0,675/6,75	1300	5		
K9I□90FT(-T, -T5)	three-phase	200	50	0,79	2,25/22,5	0,65/6,5	1350	-	
			60	0,72	1,75/17,5	0,55/5,5	1600		
K9I□90FH(-T, -T5)		220	50	50	0,72	2,35/23,5	0,65/6,5	1350	-
				60	0,63	1,8/18	0,55/5,5	1600	
K9I□90FM(-T, -T5)		230	60	60	0,86	2,45/24,5	0,65/6,5	1350	-
				60	0,66	1,95/19,5	0,55/5,5	1600	
K9I□90FV(-T, -T5)		380	50	50	0,43	2,35/23,5	0,65/6,5	1350	-
				60	0,37	1,7/17	0,55/5,5	1600	
K9I□90FQ(-T, -T5)		400	50	50	0,52	2,65/26,5	0,65/6,5	1350	-
				60	0,45	2,1/21	0,55/5,5	1600	
K9I□90FZ(-T, -T5)	415	50	50	0,39	2/20	0,68/6,8	1300	-	
			60	0,31	1,5/15	0,55/5,5	1600		
K9I□90FZ(-T, -T5)	440	50	50	0,45	2,1/21	0,68/6,8	1300	-	
			60	0,39	1,7/17	0,55/5,5	1600		

* □ : SHAFT SHAPE (S : STRAIGHT, P : PINION)

RATED TORQUE OF GEARHEAD

● 50Hz

unit = above : N · m / below : kgfcm

Model Motor/ Gearhead	Speed(rpm)	500	416	300	250	200	166	150	120	100	83	75	60	50	41	37	30	25	20	16	15	12,5	10	8,3	7,5
	Ratio	3	3,6	5	6	7,5	9	10	12,5	15	18	20	25	30	36	40	50	60	75	90	100	120	150	180	200
K9I□90F□(-T, -T5) K9P□B, BF	1,58	1,90	2,63	3,16	3,95	4,74	5,27	5,92	7,11	8,53	9,48	10,66	12,79	15,35	17,06	20	20	20	20	20	20	20	20	20	20
	15,8	19,0	26,3	31,6	39,5	47,4	52,7	59,2	71,1	85,3	94,8	106,6	127,9	153,5	170,6	200	200	200	200	200	200	200	200	200	200

● 60Hz

unit = above : N · m / below : kgfcm

Model Motor/ Gearhead	Speed(rpm)	600	500	360	300	240	200	180	144	120	100	90	72	60	50	45	36	30	24	20	18	15	12	10	9
	Ratio	3	3,6	5	6	7,5	9	10	12,5	15	18	20	25	30	36	40	50	60	75	90	100	120	150	180	200
K9I□90F□(-T, -T5) K9P□B, BF	1,34	1,60	2,23	2,67	3,34	4,01	4,46	5,01	6,01	7,22	8,02	9,02	10,83	12,99	14,43	18,04	20	20	20	20	20	20	20	20	20
	13,4	16,0	22,3	26,7	33,4	40,1	44,6	50,1	60,1	72,2	80,2	90,2	108,3	129,9	144,3	180,4	200	200	200	200	200	200	200	200	200

* Gearhead and decimal gearhead are sold separately.

* The code in □ of gearhead model is for gear ratio.

* color indicates that the output shaft of the geared motor rotates in the same direction as the output shaft of the motor. Others indicate rotation in the opposite direction.

* If you are to have less ratio than the ratio in the table, you can install the decimal gearhead, which has one tenth of the ratio, between the gearhead and the motor. In this case, the permissible torque is 20N · m/200kgfcm.

* RPM is based on motor's synchronous rpm (50Hz:1500rpm, 60Hz:1800rpm) and calculated by dividing gear ratio. Actual rpm is 2~20% less than indicating rpm according to load size.

GEARHEADS

RATED TORQUE OF GEARHEAD

● 50Hz

unit = above : N · m / below : kgfcm

Model Motor/ Gearhead	Speed(rpm)	500	416	300	250	200	166	150	120	100	83	75	60	50	41	37	30	25	20	16	15	12,5	10	8,3	7,5
	Ratio	3	3,6	5	6	7,5	9	10	12,5	15	18	20	25	30	36	40	50	60	75	90	100	120	150	180	200
K9I□90F□(-T, T5) K9P□BU, BUF		1,58	190	2,63	3,16	3,95	4,74	5,27	5,92	7,11	8,53	9,48	10,66	12,79	15,35	17,06	21,32	25,59	30	30	30	30	30	30	30
		15,8	19,0	26,3	31,6	39,5	47,4	52,7	59,2	71,1	85,3	94,8	106,6	127,9	153,5	170,6	213,2	255,9	300	300	300	300	300	300	300

● 60Hz

unit = above : N · m / below : kgfcm

Model Motor/ Gearhead	Speed(rpm)	600	500	360	300	240	200	180	144	120	100	90	72	60	50	45	36	30	24	20	18	15	12	10	9
	Ratio	3	3,6	5	6	7,5	9	10	12,5	15	18	20	25	30	36	40	50	60	75	90	100	120	150	180	200
K9I□90F□(-T, T5) K9P□BU, BUF		1,34	1,60	2,23	2,67	3,34	4,01	4,46	5,01	6,01	7,22	8,02	9,02	10,83	12,99	14,43	18,04	21,65	24,36	29,23	30	30	30	30	30
		13,4	16,0	22,3	26,7	33,4	40,1	44,6	50,1	60,1	72,2	80,2	90,2	108,3	129,9	144,3	180,4	216,5	243,6	292,3	300	300	300	300	300

* Gearhead and decimal gearhead are sold separately.

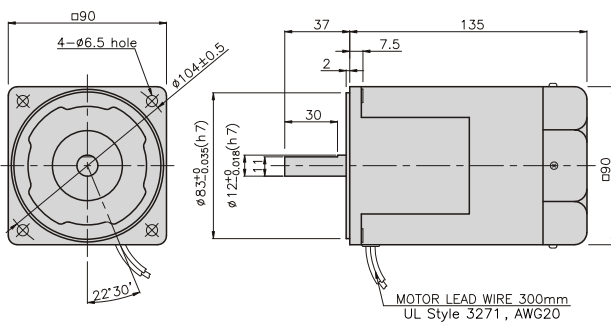
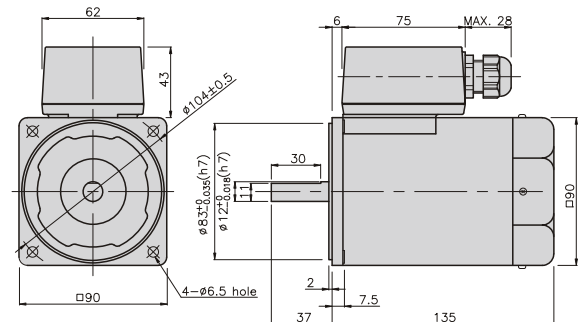
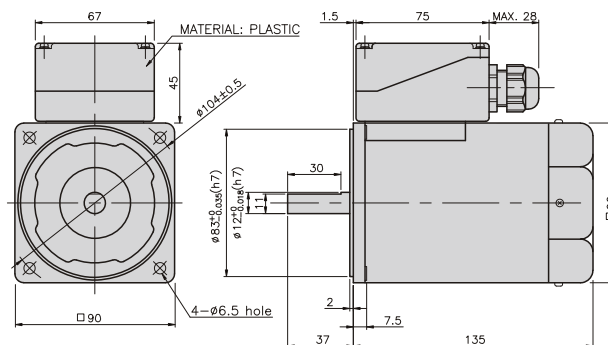
* The code in □ of gearhead model is for gear ratio.

* ■ color indicates that the output shaft of the geared motor rotates in the same direction as the output shaft of the motor. Others indicate rotation in the opposite direction.

* If you are to have less ratio than the ratio in the table, you can install the decimal gearhead, which has one tenth of the ratio, between the gearhead and the motor. In this case, the permissible torque is 30N · m/300kgfcm.

* RPM is based on motor's synchronous rpm (50HZ:1500rpm, 60HZ:1800rpm) and calculated by dividing gear ratio. Actual rpm is 2~20% less than indicating rpm according to load size.

DIMENSIONS

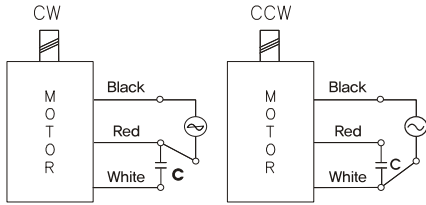
K9IS90F□

K9IS90F□-T

K9IS90F□-T5


GEARHEADS

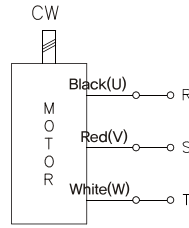
CONNECTION DIAGRAMS

K9IS90F□

single phase motor



three phase motor

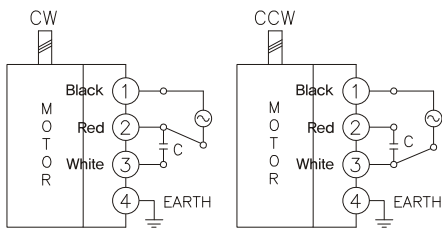


connecting two leadwires of U,V,W in turns

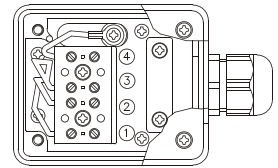
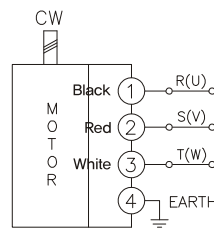
The direction of motor rotation is as viewed from the front shaft end of the motor

K9IS90F□-T

single phase motor



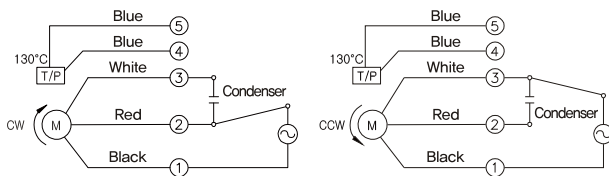
three phase motor



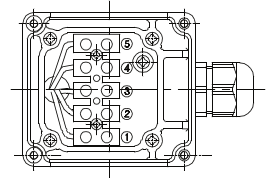
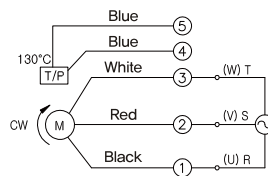
The direction of motor rotation is as viewed from the front shaft end of the motor

K9IS90F□-T5

single phase motor



three phase motor



connecting two leadwires of U,V,W in turns

The direction of motor rotation is as viewed from the front shaft end of the motor

GEARHEADS

DIMENSIONS

K9P□B



K9P□BF, BUF

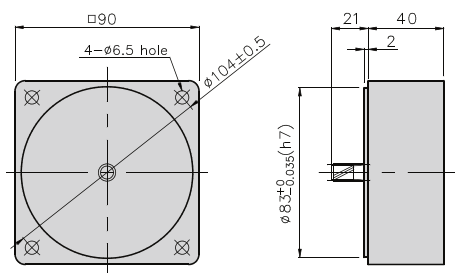


K9P□BU



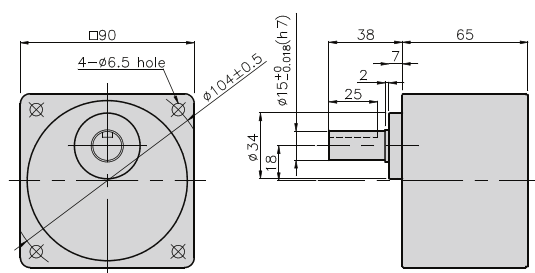
DECIMAL GEARHEAD

K9P10BX



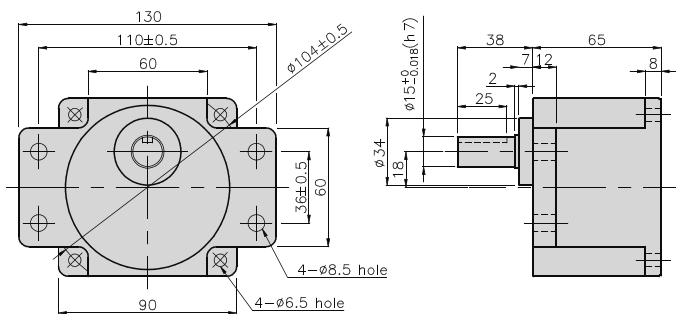
GEAR HEAD

K9P□B



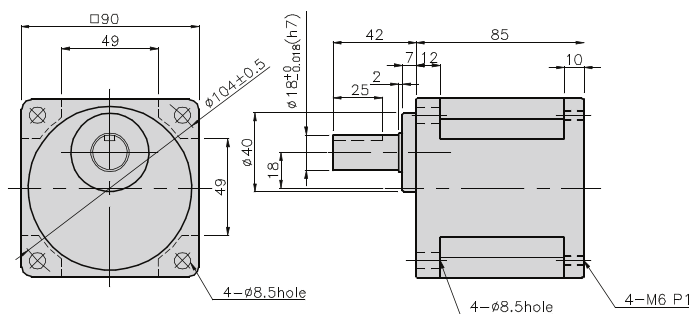
GEARHEAD

K9P□BF



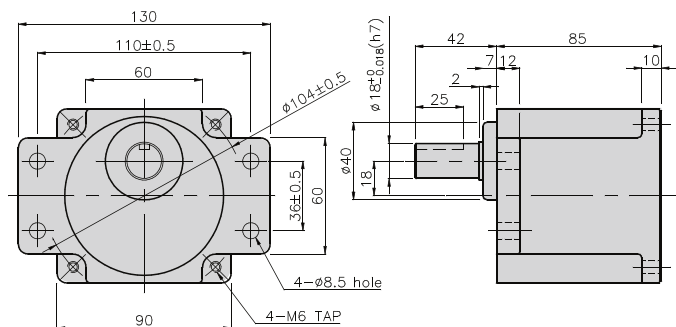
GEARHEAD

K9P□BU



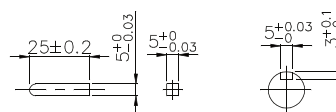
GEARHEAD

K9P□BUF



• KEY

• KEY GROOVE



GEARHEADS

DIMENSIONS

K9IP90F□ + K9P□B



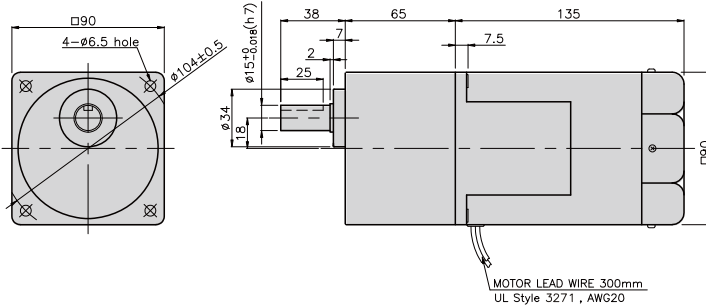
K9IP90F□ + K9P□BF, BUF



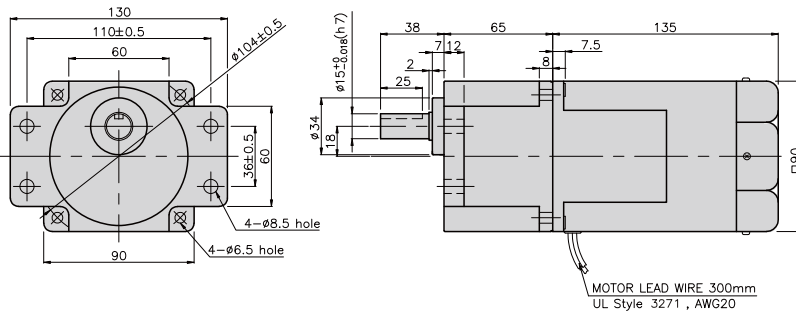
K9IP90F□ + K9P□BU



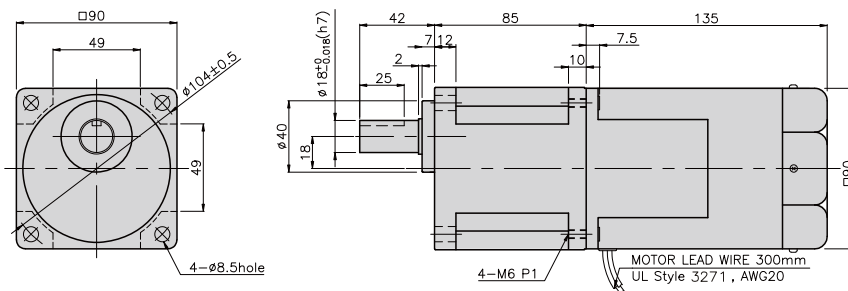
K9IP90F□ + K9P□B



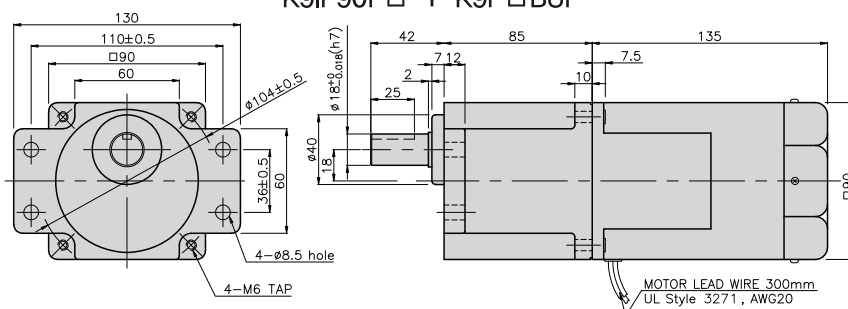
K9IP90F□ + K9P□BF



K9IP90F□ + K9P□BU



K9IP90F□ + K9P□BUF



WEIGHT

PART	WEIGHT(kg)
MOTOR	3,00
DECIMAL GEAR HEAD	0,62

DIMENSION TABLE

PART No	L	Application Model	Mounting BOLT
01	65	K9P3~200B	M6 P1,0 X 95
02	40	K9P10BX	M6 P1,0 X 140

WEIGHT

PART	WEIGHT(kg)
K9P3~10B	1,22
K9P12,5~20B	1,32
K9P25~60B	1,42
K9P75~200B	1,45

DIMENSION TABLE

PART No	L	Application Model	Mounting BOLT
01	65	K9P3~200BF	M6 P1,0 X 25
02	40	K9P10BX	M6 P1,0 X 65

WEIGHT

PART	WEIGHT(kg)
K9P3~10BF	1,22
K9P12,5~20BF	1,30
K9P25~60BF	1,42
K9P75~200BF	1,44

DIMENSION TABLE

PART No	L	Application Model	Mounting BOLT
01	85	K9P3~200BU	M6 P1,0 X 20
02	40	K9P10BX	M6 P1,0 X 60

WEIGHT

PART	WEIGHT(kg)
K9P3~10BU	1,44
K9P12,5~20BU	1,55
K9P25~60BU	1,69
K9P75~200BU	1,74

DIMENSION TABLE

PART No	L	Application Model	Mounting BOLT
01	85	K9P3~200BUF	M6 P1,0 X 20
02	40	K9P10BX	M6 P1,0 X 65

WEIGHT

PART	WEIGHT(kg)
K9P3~10BUF	1,50
K9P12,5~20BUF	1,62
K9P25~60BUF	1,76
K9P75~200BUF	1,82

GEARHEADS

DIMENSIONS

K9IP90F□-T + K9P□B



K9IP90F□-T + K9P□BF, BUF



K9IP90F□-T + K9P□BU



WEIGHT

PART	WEIGHT(kg)
MOTOR	3,18
DECIMAL GEAR HEAD	0,62

DIMENSION TABLE

PART No	L	Application Model	Mounting BOLT
01	65	K9P3~200B	M6 P1,0 X 95
02	40	K9P10BX	M6 P1,0 X 140

WEIGHT

PART	WEIGHT(kg)
K9P3~10B	1,22
K9P12,5~20B	1,32
K9P25~60B	1,42
K9P75~200B	1,45

DIMENSION TABLE

PART No	L	Application Model	Mounting BOLT
01	65	K9P3~200BF	M6 P1,0 X 25
02	40	K9P10BX	M6 P1,0 X 65

WEIGHT

PART	WEIGHT(kg)
K9P3~10BF	1,22
K9P12,5~20BF	1,30
K9P25~60BF	1,42
K9P75~200BF	1,44

DIMENSION TABLE

PART No	L	Application Model	Mounting BOLT
01	85	K9P3~200BU	M6 P1,0 X 20
02	40	K9P10BX	M6 P1,0 X 60

WEIGHT

PART	WEIGHT(kg)
K9P3~10BU	1,44
K9P12,5~20BU	1,55
K9P25~60BU	1,69
K9P75~200BU	1,74

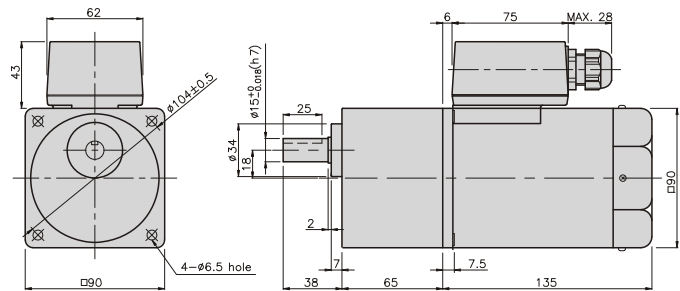
DIMENSION TABLE

PART No	L	Application Model	Mounting BOLT
01	85	K9P3~200BUF	M6 P1,0 X 20
02	40	K9P10BX	M6 P1,0 X 65

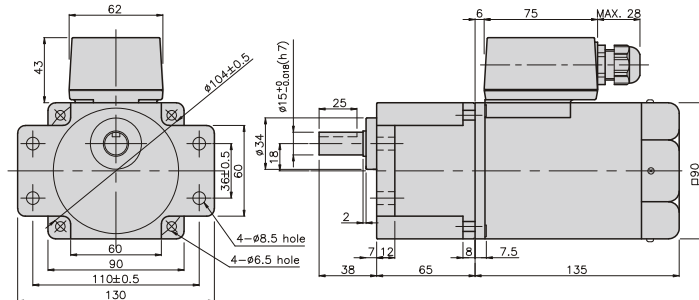
WEIGHT

PART	WEIGHT(kg)
K9P3~10BUF	1,50
K9P12,5~20BUF	1,62
K9P25~60BUF	1,76
K9P75~200BUF	1,82

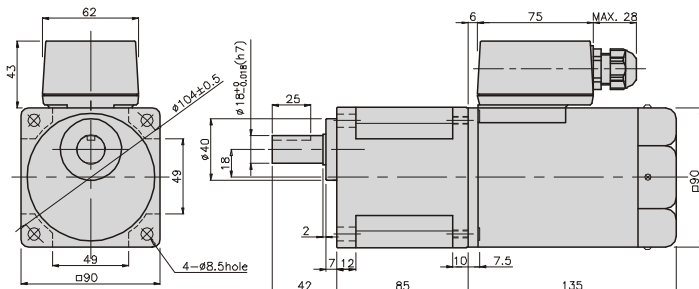
K9IP90F□-T + K9P□B



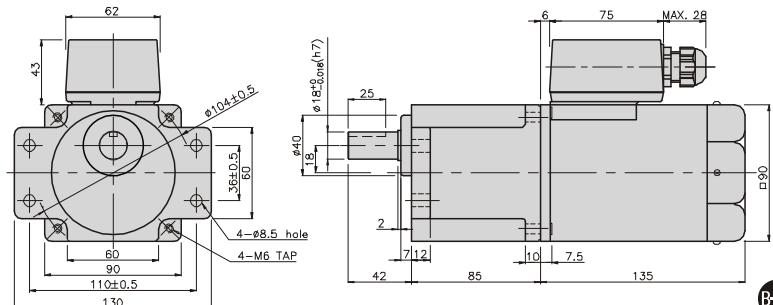
K9IP90F□-T + K9P□BF



K9IP90F□-T + K9P□BU



K9IP90F□-T + K9P□BUF



GEARHEADS

DIMENSIONS

K9IP90F□-T5 + K9P□B



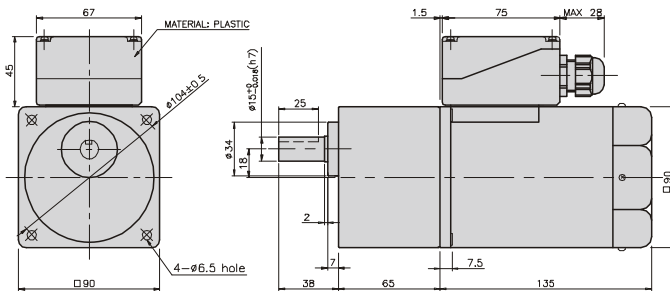
K9IP90F□-T5 + K9P□BF, BUF



K9IP90F□-T5 + K9P□BU



K9IP90F□-T5 + K9P□B



WEIGHT

PART	WEIGHT(kg)
MOTOR	3,18
DECIMAL GEAR HEAD	0,62

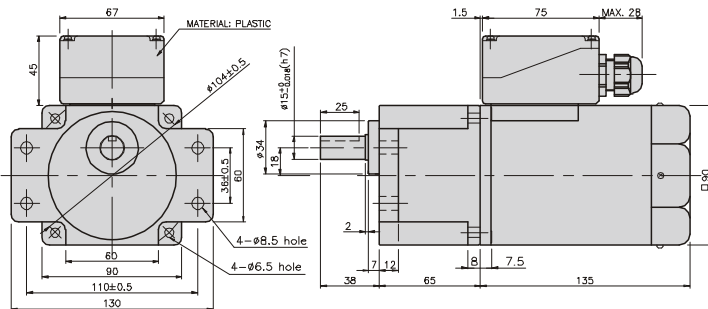
DIMENSION TABLE

PART No	L	Application Model	Mounting BOLT
01	65	K9P3~200B	M6 P1,0 X 95
02	40	K9P10BX	M6 P1,0 X 140

WEIGHT

PART	WEIGHT(kg)
K9P3~10B	1,22
K9P12,5~20B	1,32
K9P25~60B	1,42
K9P75~200B	1,45

K9IP90F□-T5 + K9P□BF



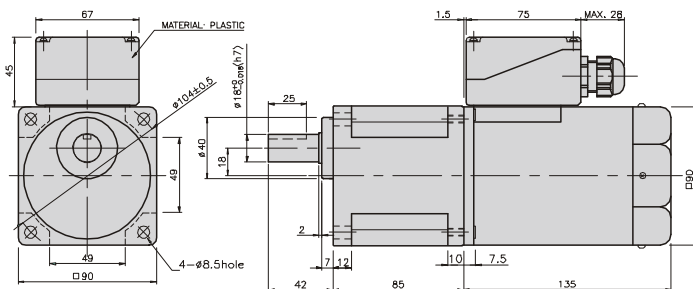
DIMENSION TABLE

PART No	L	Application Model	Mounting BOLT
01	65	K9P3~200BF	M6 P1,0 X 25
02	40	K9P10BX	M6 P1,0 X 65

WEIGHT

PART	WEIGHT(kg)
K9P3~10BF	1,22
K9P12,5~20BF	1,30
K9P25~60BF	1,42
K9P75~200BF	1,44

K9IP90F□-T5 + K9P□BU



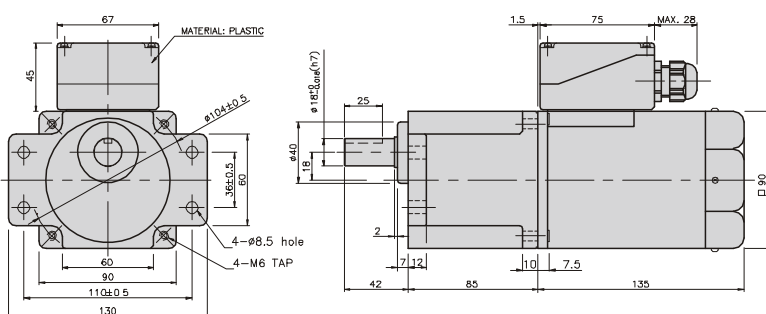
DIMENSION TABLE

PART No	L	Application Model	Mounting BOLT
01	85	K9P3~200BU	M6 P1,0 X 20
02	40	K9P10BX	M6 P1,0 X 60

WEIGHT

PART	WEIGHT(kg)
K9P3~10BU	1,44
K9P12,5~20BU	1,55
K9P25~60BU	1,69
K9P75~200BU	1,74

K9IP90F□-T5 + K9P□BUF



DIMENSION TABLE

PART No	L	Application Model	Mounting BOLT
01	85	K9P3~200BUF	M6 P1,0 X 20
02	40	K9P10BX	M6 P1,0 X 65

WEIGHT

PART	WEIGHT(kg)
K9P3~10BUF	1,50
K9P12,5~20BUF	1,62
K9P25~60BUF	1,76
K9P75~200BUF	1,82

INDUCTION MOTOR

120W

□90mm

LEAD WIRE TYPE
TERMINAL BOX TYPE

K9IS120F□



K9IS120F□-T, T5



SPECIFICATIONS

120W continuous rating, four poles

Model	Voltage (V)	Frequency (Hz)	Current (A)	Start T. (N*m/Kgf*cm)	Rated T. (N*m/Kgf*cm)	Speed (rpm)	Condenser (μF)
K9I□120FJ(-T, -T5)	100	50	2,2	0,6/6	0,9/9	1300	35
		60		0,65/6,5		1600	
K9I□120FU(-T, -T5)	110	60	2,13	0,65/6,6	0,735/7,35	1600	30
	115		2,3	0,7/7			
K9I□120FL(-T, -T5)	200	50	1,07	0,65/6,5	0,9/9	1300	8,5
		60	1,22	0,6/6		0,755/7,55	1550
K9I□120FC(-T, -T5)	220	50	0,82	0,55/5,5	0,9/9	1300	6
			230	0,85			
	220	60	1	0,6/6	0,735/7,35	1600	7
			230	1,1			
K9I□120FD(-T, -T5)	240	50	0,9	0,6/6	0,9/9	1300	6

* □ : SHAFT SHAPE (S : STRAIGHT, P : PINION)

RATED TORQUE OF GEARHEAD

● 50Hz

unit = above : N · m / below : kgfcm

Model Motor/ Gearhead	Speed(rpm) Ratio	500	416	300	250	200	166	150	120	100	83	75	60	50	41	37	30	25	20	16	15	13	10	8,3	7,5	
		K9I□120F□(-T, -T5) K9P□B, BF		2,19	2,62	3,65	4,37	5,47	6,56	7,29	8,20	9,84	11,81	13,12	14,76	17,7	20	20	20	20	20	20	20	20	20	20

● 60Hz

unit = above : N · m / below : kgfcm

Model Motor/ Gearhead	Speed(rpm) Ratio	600	500	360	300	240	200	180	144	120	100	90	72	60	50	45	36	30	24	20	18	15	12	10	9
		K9I□120F□(-T, -T5) K9P□B, BF		1,79	2,14	2,98	3,57	4,47	5,36	5,95	6,70	8,04	9,64	10,72	12,06	14,5	17,4	19,3	20	20	20	20	20	20	20

* Gearhead and decimal gearhead are sold separately.

* The code in □ of gearhead model is for gear ratio.

* ■ color indicates that the output shaft of the geared motor rotates in the same direction as the output shaft of the motor. Others indicate rotation in the opposite direction.

* If you are to have less ratio than the ratio in the table, you can install the decimal gearhead, which has one tenth of the ratio, between the gearhead and the motor. In this case, the permissible torque is 20N · m/200kgfcm.

* RPM is based on motor's synchronous rpm (50HZ:1500rpm, 60HZ:1800rpm) and calculated by dividing gear ratio. Actual rpm is 2~20% less than indicating rpm according to load size.

GEARHEADS

RATED TORQUE OF GEARHEAD

● 50Hz

unit = above : N·m / below : kgfcm

Model Motor/ Gearhead	Speed(rpm) Ratio	500	416	300	250	200	166	150	120	100	83	75	60	50	41	37	30	25	20	16	15	13	10	8,3	7,5
		3	3,6	5	6	7,5	9	10	12,5	15	18	20	25	30	36	40	50	60	75	90	100	120	150	180	200
K9I□120F□(-T, -T5) K9P□BU, BUF		2,19	2,62	3,65	4,37	5,47	6,56	7,29	8,20	9,84	11,81	13,12	14,76	17,71	21,26	23,62	29,52	30	30	30	30	30	30	30	30
		21,9	26,2	36,5	43,7	54,7	65,6	72,9	82,0	98,4	118,1	131,2	147,6	177,1	212,6	236,2	295,2	300	300	300	300	300	300	300	300

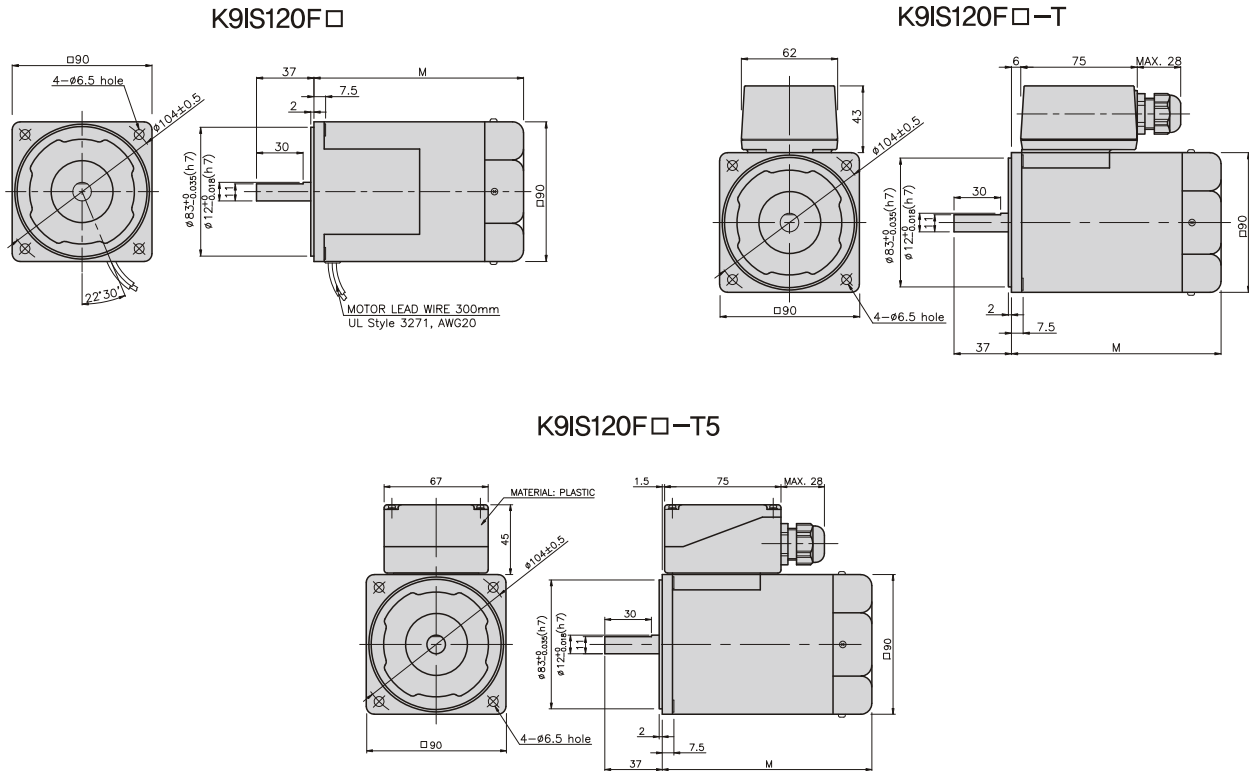
● 60Hz

unit = above : N·m / below : kgfcm

Model Motor/ Gearhead	Speed(rpm) Ratio	600	500	360	300	240	200	180	144	120	100	90	72	60	50	45	36	30	24	20	18	15	12	10	9
		3	3,6	5	6	7,5	9	10	12,5	15	18	20	25	30	36	40	50	60	75	90	100	120	150	180	200
K9I□120F□(-T, -T5) K9P□BU, BUF		1,79	2,14	2,98	3,57	4,47	5,36	5,95	6,70	8,04	9,64	10,72	12,06	14,47	17,36	19,29	24,11	28,93	30	30	30	30	30	30	30
		17,9	21,4	29,8	35,7	44,7	53,6	59,5	67,0	80,4	96,4	107,2	120,6	144,7	173,6	192,9	241,1	289,3	300	300	300	300	300	300	300

- * Gearhead and decimal gearhead are sold separately.
- * The code in □ of gearhead model is for gear ratio.
- * ■ color indicates that the output shaft of the geared motor rotates in the same direction as the output shaft of the motor. Others indicate rotation in the opposite direction.
- * If you are to have less ratio than the ratio in the table, you can install the decimal gearhead, which has one tenth of the ratio, between the gearhead and the motor. In this case, the permissible torque is 30N·m/300kgfcm.
- * RPM is based on motor's synchronous rpm (50Hz:1500rpm, 60Hz:1800rpm) and calculated by dividing gear ratio. Actual rpm is 2~20% less than indicating rpm according to load size.

DIMENSIONS



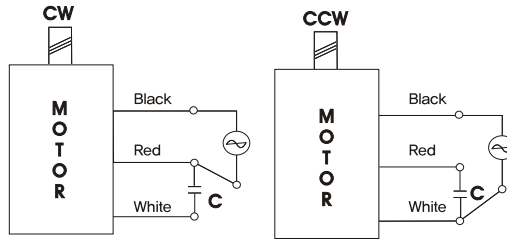
GEARHEADS

CONNECTION DIAGRAMS

K9IS120F□

DIMENSION TABLE

PART No	M	Application Model
01	155	50Hz
02	135	60Hz

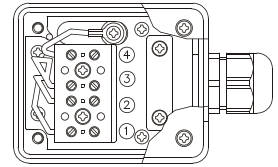
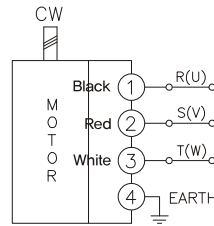
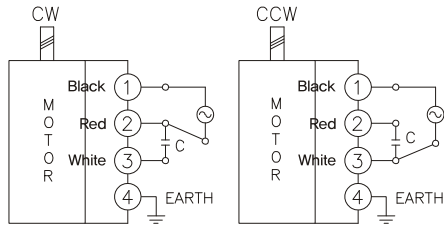


The direction of motor rotation is as viewed from the front shaft end of the motor

K9IS120F□-T

single phase motor

three phase motor

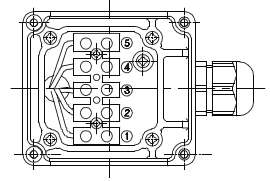
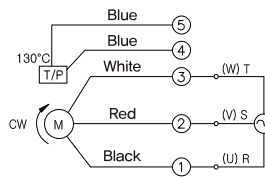
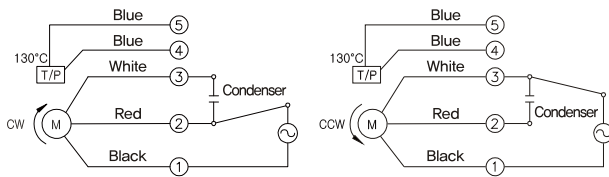


The direction of motor rotation is as viewed from the front shaft end of the motor

K9IS120F□-T5

single phase motor

three phase motor



connecting two leadwires of U,V,W in turns

The direction of motor rotation is as viewed from the front shaft end of the motor

GEARHEADS

DIMENSIONS

K9P□B



K9P□BF, BUF

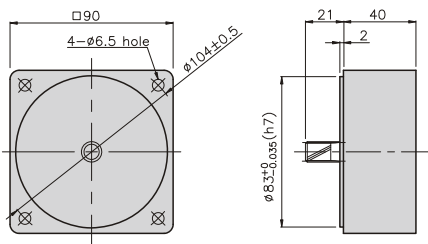


K9P□BU



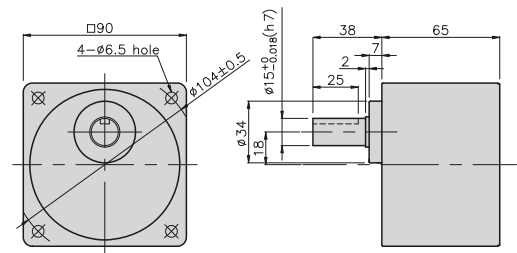
DECIMAL GEARHEAD

K9P10BX



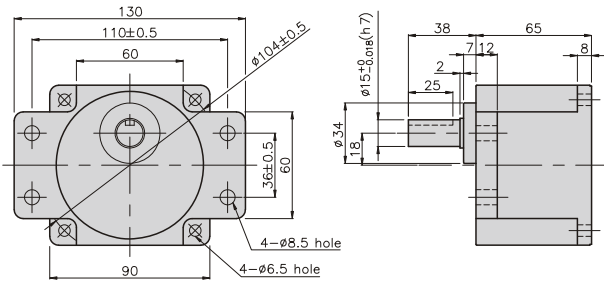
GEAR HEAD

K9P□B



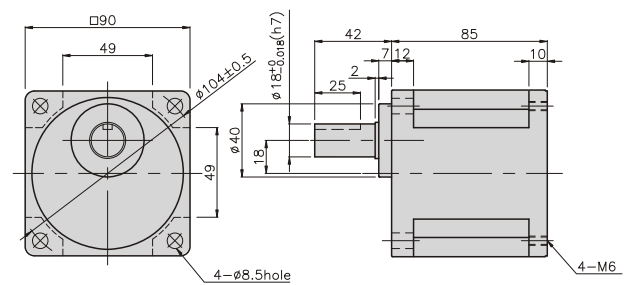
GEARHEAD

K9P□BF



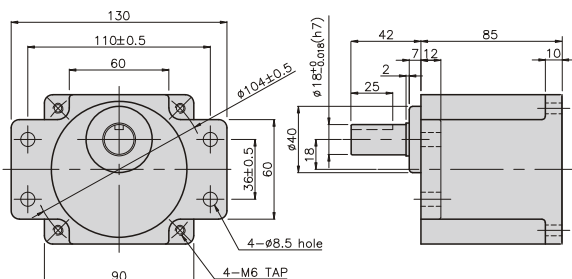
GEARHEAD

K9P□BU

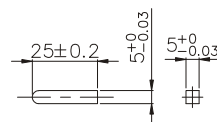


GEARHEAD

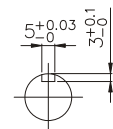
K9P□BUF



● KEY



● KEY GROOVE



GEARHEADS

DIMENSIONS

K9IP120F□ + K9P□B



K9IP120F□ + K9P□BF, BUF



K9IP120F□ + K9P□BU



WEIGHT

PART	WEIGHT(kg)
MOTOR	3,72
DECIMAL GEAR HEAD	0,62

DIMENSION TABLE

PART No	M	Application Model
01	155	50Hz
02	135	60Hz

DIMENSION TABLE

PART No	L	Application Model	Mounting BOLT
01	65	K9P3~200B	M6 P1,0 X 95
02	40	K9P10BX	M6 P1,0 X 140

WEIGHT

PART	WEIGHT(kg)
K9P3~10B	1,22
K9P12,5~20B	1,32
K9P25~60B	1,42
K9P75~200B	1,45

DIMENSION TABLE

PART No	L	Application Model	Mounting BOLT
01	65	K9P3~200BF	M6 P1,0 X 25
02	40	K9P10BX	M6 P1,0 X 65

WEIGHT

PART	WEIGHT(kg)
K9P3~10BF	1,22
K9P12,5~20BF	1,30
K9P25~60BF	1,42
K9P75~200BF	1,44

DIMENSION TABLE

PART No	L	Application Model	Mounting BOLT
01	85	K9P3~200BU	M6 P1,0 X 20
02	40	K9P10BX	M6 P1,0 X 60

WEIGHT

PART	WEIGHT(kg)
K9P3~10BU	1,44
K9P12,5~20BU	1,55
K9P25~60BU	1,69
K9P75~200BU	1,74

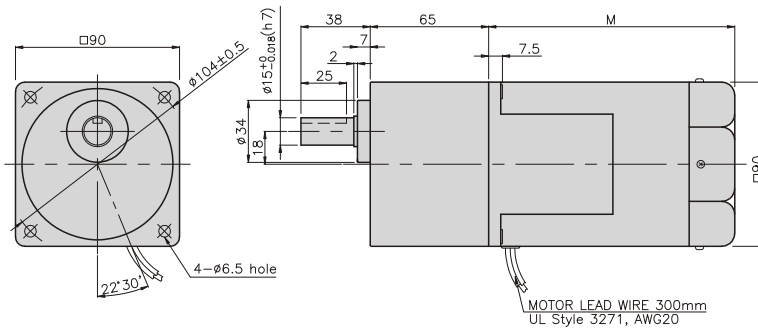
DIMENSION TABLE

PART No	L	Application Model	Mounting BOLT
01	85	K9P3~200BUF	M6 P1,0 X 20
02	40	K9P10BX	M6 P1,0 X 65

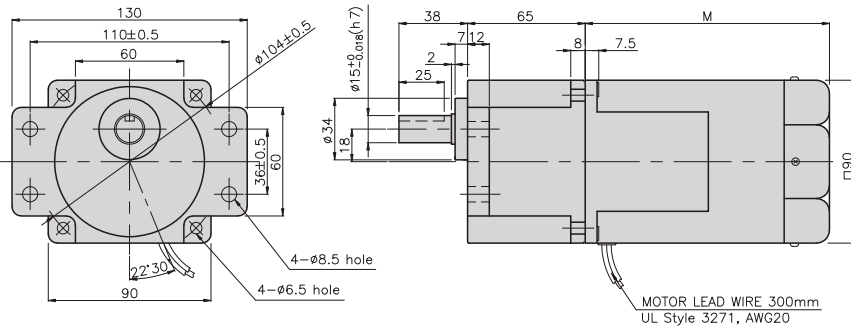
WEIGHT

PART	WEIGHT(kg)
K9P3~10BUF	1,50
K9P12,5~20BUF	1,62
K9P25~60BUF	1,76
K9P75~200BUF	1,82

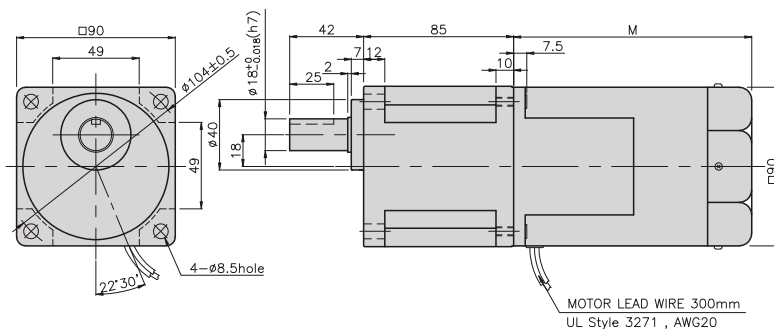
K9IP120F□ + K9P□B



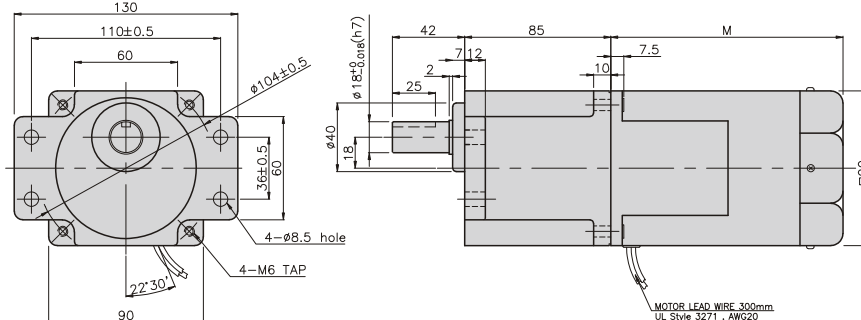
K9IP120F□ + K9P□BF



K9IP120F□ + K9P□BU



K9IP120F□ + K9P□BUF



GEARHEADS

DIMENSIONS

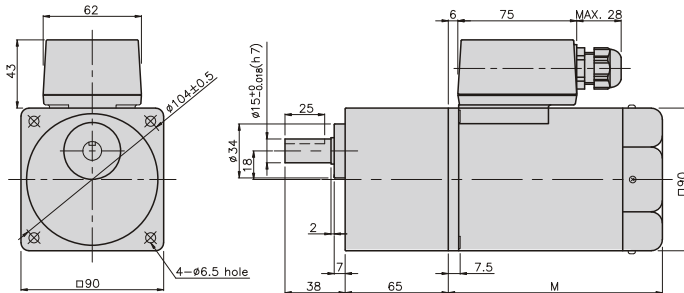
K9IP120F□-T + K9P□B

K9IP120F□-T + K9P□BF, BUF

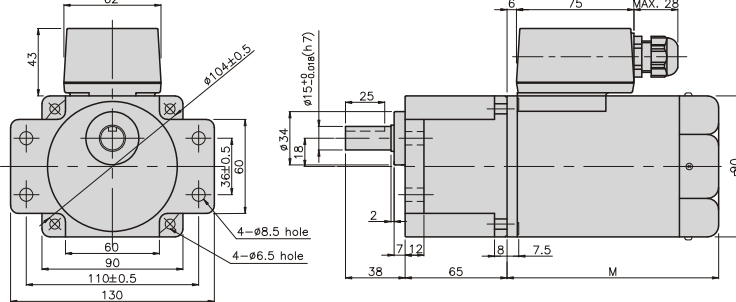
K9IP120F□-T + K9P□BU



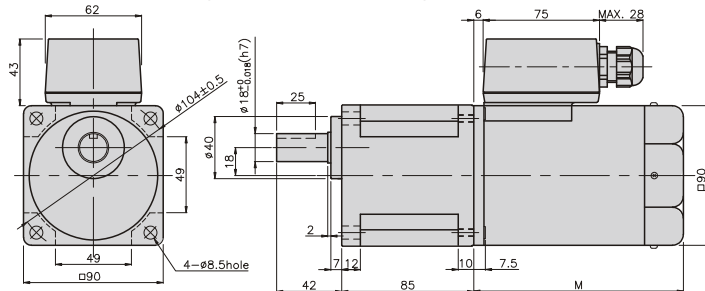
K9IP120F□-T + K9P□B



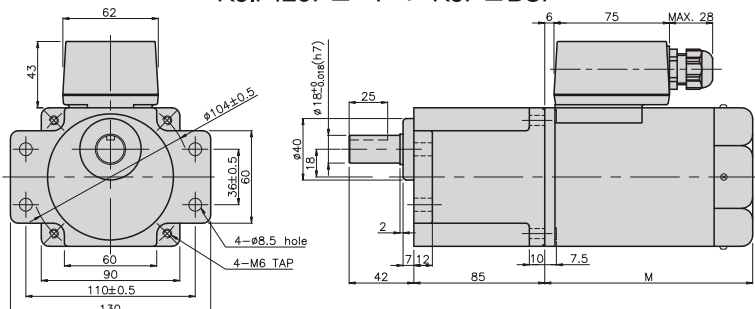
K9IP120F□-T + K9P□BF



K9IP120F□-T + K9P□BU



K9IP120F□-T + K9P□BUF



WEIGHT

PART	WEIGHT(kg)
MOTOR	3,90(50Hz)
	3,20(60Hz)
DECIMAL GEAR HEAD	0,62

DIMENSION TABLE

PART No	M	Application Model
01	155	50Hz
02	135	60Hz

DIMENSION TABLE

PART No	L	Application Model	Mounting BOLT
01	65	K9P3~200B	M6 P1,0 X 95
02	40	K9P10BX	M6 P1,0 X 140

WEIGHT

PART	WEIGHT(kg)
K9P3~10B	1,22
K9P12,5~20B	1,32
K9P25~60B	1,42
K9P75~200B	1,45

DIMENSION TABLE

PART No	L	Application Model	Mounting BOLT
01	65	K9P3~200BF	M6 P1,0 X 25
02	40	K9P10BX	M6 P1,0 X 65

WEIGHT

PART	WEIGHT(kg)
K9P3~10BF	1,22
K9P12,5~20BF	1,30
K9P25~60BF	1,42
K9P75~200BF	1,44

DIMENSION TABLE

PART No	L	Application Model	Mounting BOLT
01	85	K9P3~200BU	M6 P1,0 X 20
02	40	K9P10BX	M6 P1,0 X 60

WEIGHT

PART	WEIGHT(kg)
K9P3~10BU	1,44
K9P12,5~20BU	1,55
K9P25~60BU	1,69
K9P75~200BU	1,74

DIMENSION TABLE

PART No	L	Application Model	Mounting BOLT
01	85	K9P3~200BUF	M6 P1,0 X 20
02	40	K9P10BX	M6 P1,0 X 65

WEIGHT

PART	WEIGHT(kg)
K9P3~10BUF	1,50
K9P12,5~20BUF	1,62
K9P25~60BUF	1,76
K9P75~200BUF	1,82

GEARHEADS

DIMENSIONS

K9P120F□-T5 + K9P□B



K9P120F□-T5 + K9P□BF, BUF



K9P120F□-T5 + K9P□BU



WEIGHT

PART	WEIGHT(kg)
MOTOR	3,90(50Hz)
	3,20(60Hz)
DECIMAL GEAR HEAD	0,62

DIMENSION TABLE

PART No	M	Application Model
01	155	50Hz
02	135	60Hz

DIMENSION TABLE

PART No	L	Application Model	Mounting BOLT
01	65	K9P3~200B	M6 P1,0 X 95
02	40	K9P10BX	M6 P1,0 X 140

WEIGHT

PART	WEIGHT(kg)
K9P3~10B	1,22
K9P12,5~20B	1,32
K9P25~60B	1,42
K9P75~200B	1,45

DIMENSION TABLE

PART No	L	Application Model	Mounting BOLT
01	65	K9P3~200BF	M6 P1,0 X 25
02	40	K9P10BX	M6 P1,0 X 65

WEIGHT

PART	WEIGHT(kg)
K9P3~10BF	1,22
K9P12,5~20BF	1,30
K9P25~60BF	1,42
K9P75~200BF	1,44

DIMENSION TABLE

PART No	L	Application Model	Mounting BOLT
01	85	K9P3~200BU	M6 P1,0 X 20
02	40	K9P10BX	M6 P1,0 X 60

WEIGHT

PART	WEIGHT(kg)
K9P3~10BU	1,44
K9P12,5~20BU	1,55
K9P25~60BU	1,69
K9P75~200BU	1,74

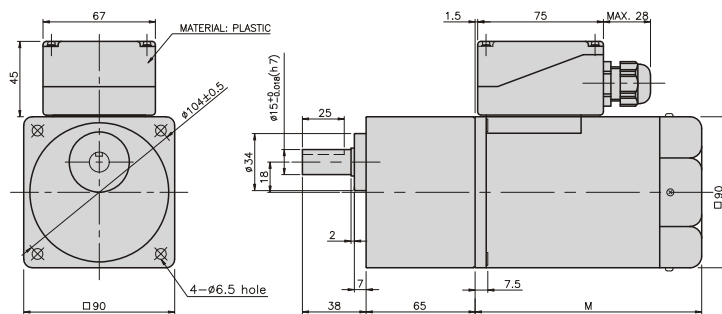
DIMENSION TABLE

PART No	L	Application Model	Mounting BOLT
01	85	K9P3~200BUF	M6 P1,0 X 20
02	40	K9P10BX	M6 P1,0 X 65

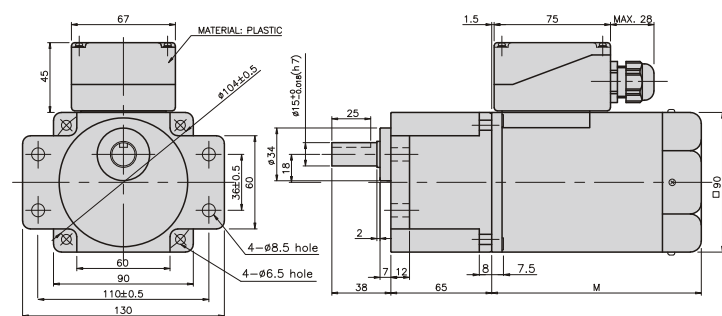
WEIGHT

PART	WEIGHT(kg)
K9P3~10BUF	1,50
K9P12,5~20BUF	1,62
K9P25~60BUF	1,76
K9P75~200BUF	1,82

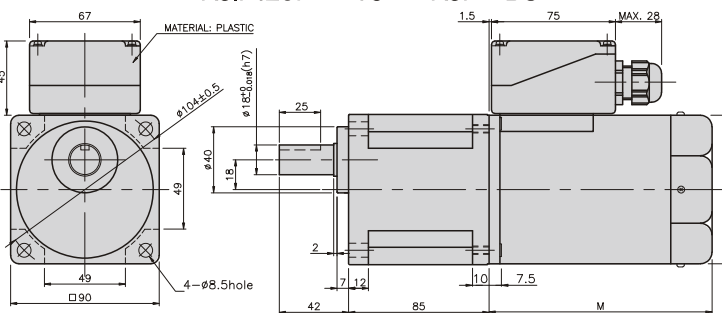
K9P120F□-T5 + K9P□B



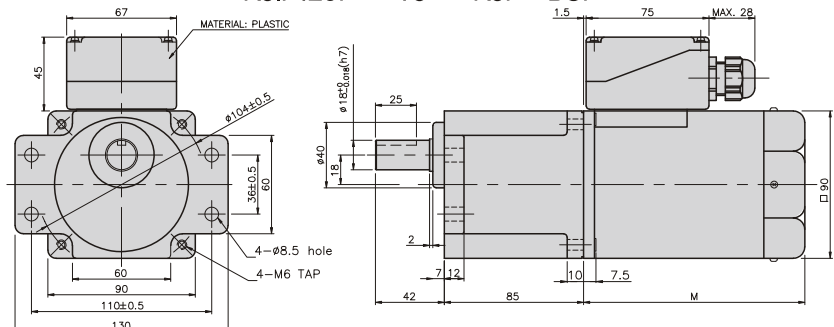
K9P120F□-T5 + K9P□BF



K9P120F□-T5 + K9P□BU



K9P120F□-T5 + K9P□BUF



INDUCTION MOTOR

150W

□90mm

LEAD WIRE TYPE TERMINAL BOX TYPE

K9IS150FH



K9IS150F□-T, T5



SPECIFICATIONS

150W continuous rating, four poles

Model	Voltage (V)	Frequency (Hz)	Current (A)	Start T. (N* m/Kgf*cm)	Rated T. (N* m/Kgf*cm)	Speed (rpm)	Condenser (μF)
three-phase							
K9I□150FT(-T, -T5)	200	50	1,2	3,5/35	1,13/11,3	1300	-
		60	0,95	2,65/26,5	0,915/9,15	1600	
K9I□150FH(-T, -T5)	220	50	0,99	2,95/29,5	1,13/11,3	1300	-
	230		1,1	3/30			
	220	60	0,97	2,5/25	0,915/9,15	1600	-
	230		1,02	2,7/27			
K9I□150FM(-T, -T5)	380	50	0,57	3/30	1,13/11,3	1300	-
		60		2,25/22,5	0,915/9,15	1600	
K9I□150FV(-T, -T5)	400	50	0,6	3,5/35	1,13/11,3	1300	-
		60		2,5/25	0,915/9,15	1600	
K9I□150FQ(-T, -T5)	415	50	0,57	3,15/31,5	1,13/11,3	1300	-
		60	0,42	2,35/23,5	0,915/9,15	1600	
K9I□150FZ(-T, -T5)	440	50	0,53	3,3/33	1,085/10,85	1350	-
		60	0,44	2,6/26	0,915/9,15	1600	

* □ : SHAFT SHAPE (S : STRAIGHT, P : PINION)

RATED TORQUE OF GEARHEAD

● 50Hz

unit = above : N · m / below : kgfcm

Model	Speed(rpm)	Ratio																							
		500	416	300	250	200	166	150	120	100	83	75	60	50	41	37	30	25	20	16	15	13	10	8,3	7,5
K9I□150F□(-T, -T5) K9P□B, BF	2,64	3,16	4,39	5,27	6,59	7,91	8,79	9,89	11,86	14,24	15,82	17,80	20	20	20	20	20	20	20	20	20	20	20	20	20
	26,4	31,6	43,9	52,7	65,9	79,1	87,9	98,9	118,6	142,4	158,2	178,0	200	200	200	200	200	200	200	200	200	200	200	200	200

● 60Hz

unit = above : N · m / below : kgfcm

Model	Speed(rpm)	Ratio																							
		600	500	360	300	240	200	180	144	120	100	90	72	60	50	45	36	30	24	20	18	15	12	10	9
K9I□150F□(-T, -T5) K9P□B, BF	2,22	2,67	3,71	4,45	5,56	6,67	7,41	8,34	10,01	12,01	13,34	15,01	18,01	20	20	20	20	20	20	20	20	20	20	20	20
	22,2	26,7	37,1	44,5	55,6	66,7	74,1	83,4	100,1	120,1	133,4	150,1	180,1	200	200	200	200	200	200	200	200	200	200	200	200

* Gearhead and decimal gearhead are sold separately.

* The code in □ of gearhead model is for gear ratio.

* ■ color indicates that the output shaft of the geared motor rotates in the same direction as the output shaft of the motor. Others indicate rotation in the opposite direction.

* If you are to have less ratio than the ratio in the table, you can install the decimal gearhead, which has one tenth of the ratio, between the gearhead and the motor. In this case, the permissible torque is 20N · m/200kgfcm.

* RPM is based on motor's synchronous rpm (50HZ:1500rpm, 60HZ:1800rpm) and calculated by dividing gear ratio. Actual rpm is 2~20% less than

indicating rpm according to load size.

GEARHEADS

RATED TORQUE OF GEARHEAD

● 50Hz

unit = above : N · m / below : kgfcm

Model Motor/ Gearhead	Speed(rpm)	500	416	300	250	200	166	150	120	100	83	75	60	50	41	37	30	25	20	16	15	13	10	8,3	7,5
	Ratio	3	3,6	5	6	7,5	9	10	12,5	15	18	20	25	30	36	40	50	60	75	90	100	120	150	180	200
K9I□150F□(-T, -T5) K9P□BU, BUF		2,64	3,16	4,39	5,27	6,59	7,91	8,79	9,89	11,86	14,24	15,82	17,80	21,36	25,63	28,47	30	30	30	30	30	30	30	30	30
		26,4	31,6	43,9	52,7	65,9	79,1	87,9	98,9	118,6	142,4	158,2	178,0	213,6	256,3	284,7	300	300	300	300	300	300	300	300	300

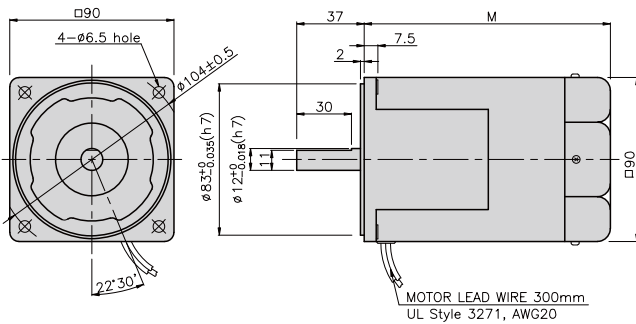
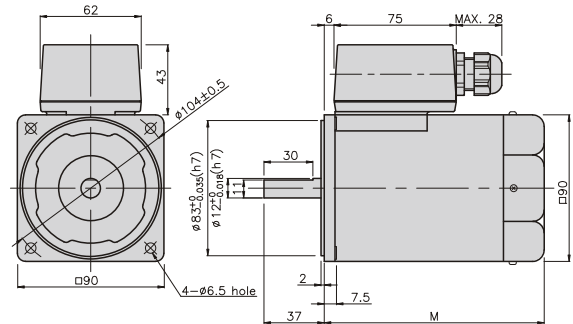
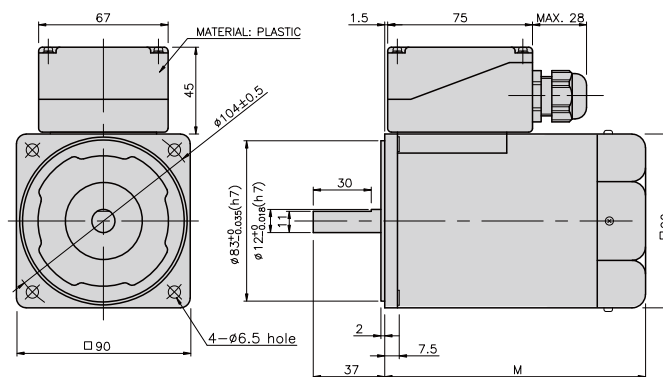
● 60Hz

unit = above : N · m / below : kgfcm

Model Motor/ Gearhead	Speed(rpm)	600	500	360	300	240	200	180	144	120	100	90	72	60	50	45	36	30	24	20	18	15	12	10	9
	Ratio	3	3,6	5	6	7,5	9	10	12,5	15	18	20	25	30	36	40	50	60	75	90	100	120	150	180	200
K9I□150F□(-T, -T5) K9P□BU, BUF		2,22	2,67	3,71	4,45	5,56	6,67	7,41	8,34	10,01	12,01	13,34	15,01	18,01	21,61	24,01	30	30	30	30	30	30	30	30	30
		22,2	26,7	37,1	44,5	55,6	66,7	74,1	83,4	100,1	120,1	133,4	150,1	180,1	216,1	240,1	300	300	300	300	300	300	300	300	300

- * Gearhead and decimal gearhead are sold separately.
- * The code in □ of gearhead model is for gear ratio.
- * color indicates that the output shaft of the geared motor rotates in the same direction as the output shaft of the motor. Others indicate rotation in the opposite direction.
- * If you are to have less ratio than the ratio in the table, you can install the decimal gearhead, which has one tenth of the ratio, between the gearhead and the motor. In this case, the permissible torque is 30N · m/300kgfcm.
- * RPM is based on motor's synchronous rpm (50HZ:1500rpm, 60HZ:1800rpm) and calculated by dividing gear ratio. Actual rpm is 2~20% less than indicating rpm according to load size.

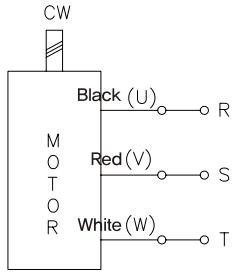
DIMENSIONS

K9IS150FH

K9IS150F□-T

K9IS150F□-T5


GEARHEADS

CONNECTION DIAGRAMS

K9IS150F □



connecting two leadwires of U,V,W in turns
The direction of motor rotation is as viewed from the front shaft end of the motor

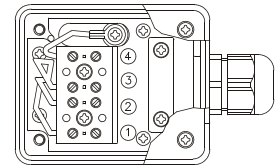
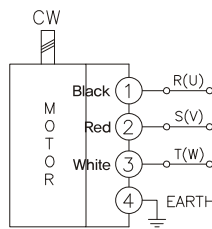
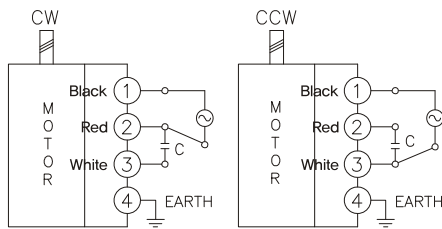
DIMENSION TABLE

PART No	M	Application Model
01	155	50Hz
02	135	60Hz

K9IS150F □-T

single phase motor

three phase motor

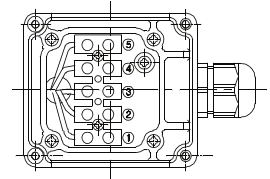
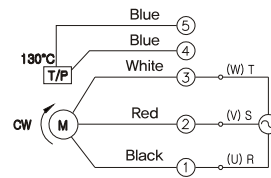
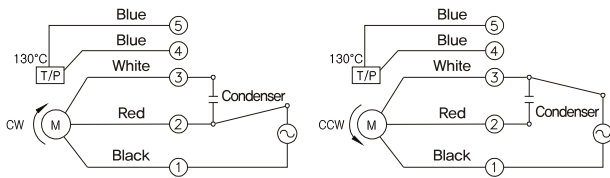


The direction of motor rotation is as viewed from the front shaft end of the motor

K9IS150F □-T5

single phase motor

three phase motor



connecting two leadwires of U,V,W in turns
The direction of motor rotation is as viewed from the front shaft end of the motor

GEARHEADS

DIMENSIONS

K9P□B



K9P□BF, BUF

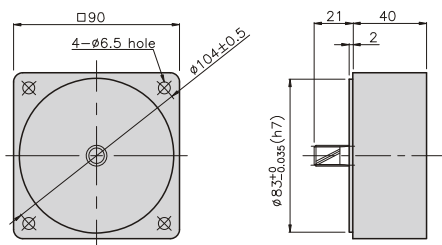


K9P□BU



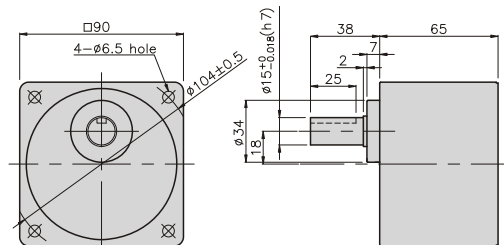
DECIMAL GEARHEAD

K9P10BX



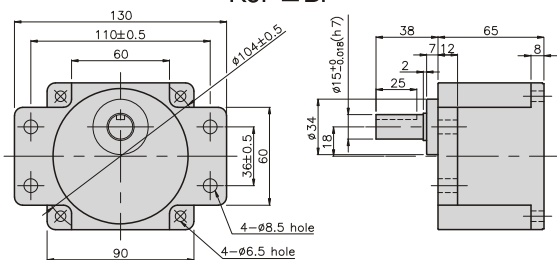
GEAR HEAD

K9P□B



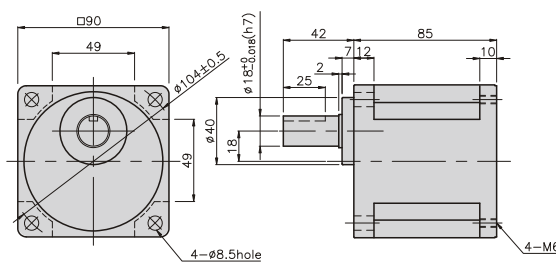
GEARHEAD

K9P□BF



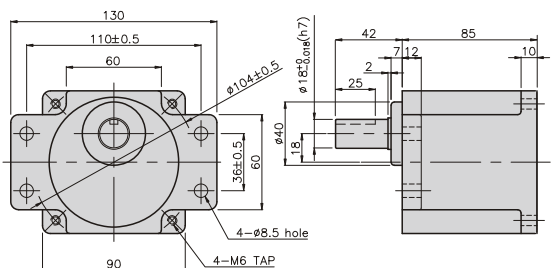
GEARHEAD

K9P□BU

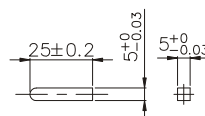


GEARHEAD

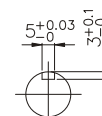
K9P□BUF



• KEY



• KEY GROOVE



GEARHEADS

DIMENSIONS

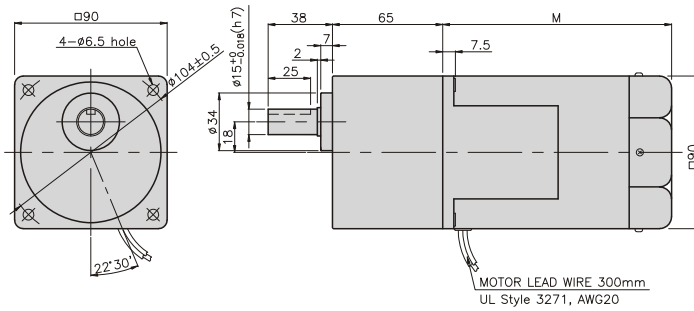
K9IP150F□ + K9P□B

K9IP150F□ + K9P□BF, BUF

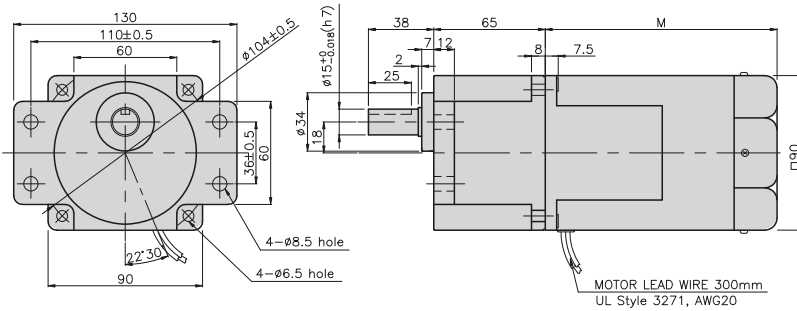
K9IP150F□ + K9P□BU



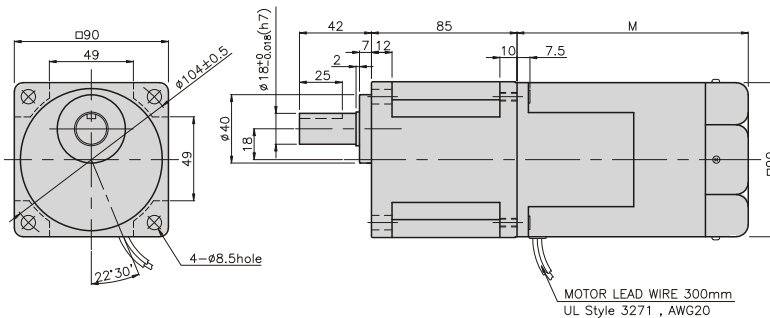
K9IP150F□ + K9P□B



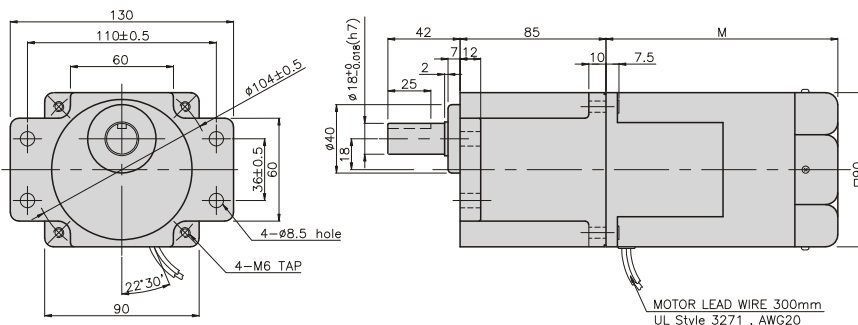
K9IP150F□ + K9P□BF



K9IP150F□ + K9P□BU



K9IP150F□ + K9P□BUF



WEIGHT

PART	WEIGHT(kg)
MOTOR	3,82
DECIMAL GEAR HEAD	0,62

DIMENSION TABLE

PART No	M	Application Model
01	155	50Hz
02	135	60Hz

DIMENSION TABLE

PART No	L	Application Model	Mounting BOLT
01	85	K9P3~200B	M6 P1,0 X 95
02	40	K9P10BX	M4 P1,0 X 60

WEIGHT

PART	WEIGHT(kg)
K9P3~10B	1,22
K9P12,5~20B	1,32
K9P25~60B	1,42
K9P75~200B	1,45

DIMENSION TABLE

PART No	L	Application Model	Mounting BOLT
01	85	K9P3~200BF	M6 P1,0 X 95
02	40	K9P10BX	M4 P1,0 X 60

WEIGHT

PART	WEIGHT(kg)
K9P3~10BF	1,22
K9P12,5~20BF	1,30
K9P25~60BF	1,42
K9P75~200BF	1,44

DIMENSION TABLE

PART No	L	Application Model	Mounting BOLT
01	85	K9P3~200BU	M6 P1,0 X 20
02	40	K9P10BX	M6 P1,0 X 60

WEIGHT

PART	WEIGHT(kg)
K9P3~10BU	1,44
K9P12,5~20BU	1,55
K9P25~60BU	1,69
K9P75~200BU	1,74

DIMENSION TABLE

PART No	L	Application Model	Mounting BOLT
01	85	K9P3~200BUF	M6 P1,0 X 20
02	40	K9P10BX	M6 P1,0 X 65

WEIGHT

PART	WEIGHT(kg)
K9P3~10BUF	1,50
K9P12,5~20BUF	1,62
K9P25~60BUF	1,76
K9P75~200BUF	1,82

GEARHEADS

DIMENSIONS

K9IP150F□-T + K9P□B



K9IP150F□-T + K9P□BF, BUF



K9IP150F□-T + K9P□BU



WEIGHT

PART	WEIGHT(kg)
MOTOR	3,24(3,90)
DECIMAL GEAR HEAD	0,62

DIMENSION TABLE

PART No	M	Application Model
01	155	50Hz
02	135	60Hz

DIMENSION TABLE

PART No	L	Application Model	Mounting BOLT
01	85	K9P3~200B	M6 P1,0 X 95
02	40	K9P10BX	M6 P1,0 X 140

WEIGHT

PART	WEIGHT(kg)
K9P3~10B	1,22
K9P12,5~20B	1,32
K9P25~60B	1,42
K9P75~200B	1,45

DIMENSION TABLE

PART No	L	Application Model	Mounting BOLT
01	85	K9P3~200BF	M6 P1,0 X 25
02	40	K9P10BX	M6 P1,0 X 65

WEIGHT

PART	WEIGHT(kg)
K9P3~10BF	1,22
K9P12,5~20BF	1,30
K9P25~60BF	1,42
K9P75~200BF	1,44

DIMENSION TABLE

PART No	L	Application Model	Mounting BOLT
01	85	K9P3~200BU	M6 P1,0 X 20
02	40	K9P10BX	M6 P1,0 X 60

WEIGHT

PART	WEIGHT(kg)
K9P3~10BU	1,44
K9P12,5~20BU	1,55
K9P25~60BU	1,69
K9P75~200BU	1,74

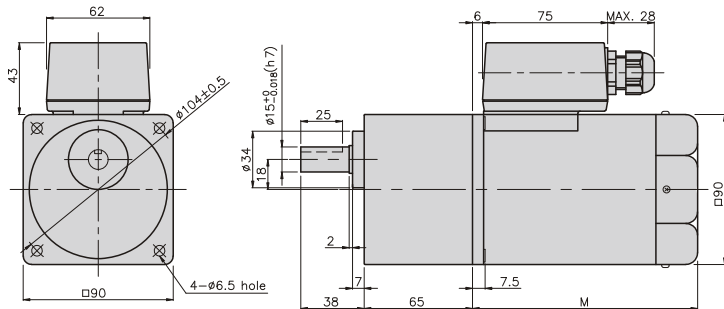
DIMENSION TABLE

PART No	L	Application Model	Mounting BOLT
01	85	K9P3~200BUF	M6 P1,0 X 20
02	40	K9P10BX	M6 P1,0 X 65

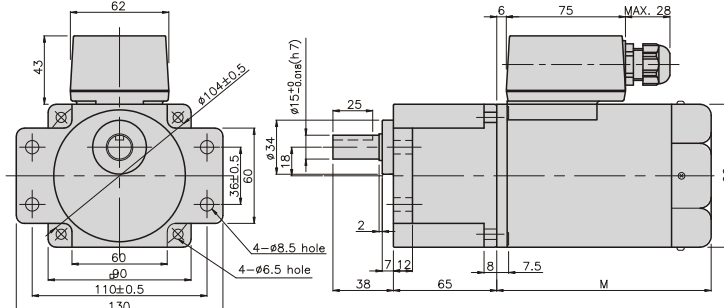
WEIGHT

PART	WEIGHT(kg)
K9P3~10BUF	1,50
K9P12,5~20BUF	1,62
K9P25~60BUF	1,76
K9P75~200BUF	1,82

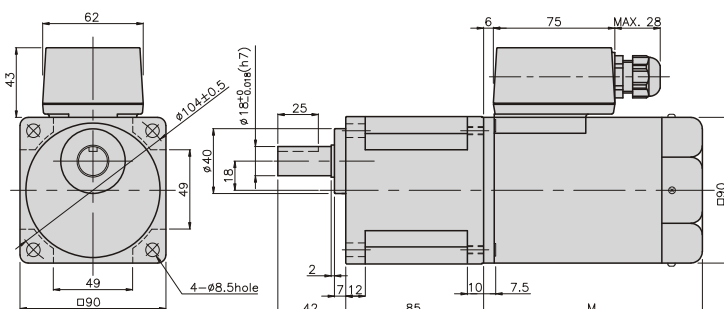
K9IP150F□-T + K9P□B



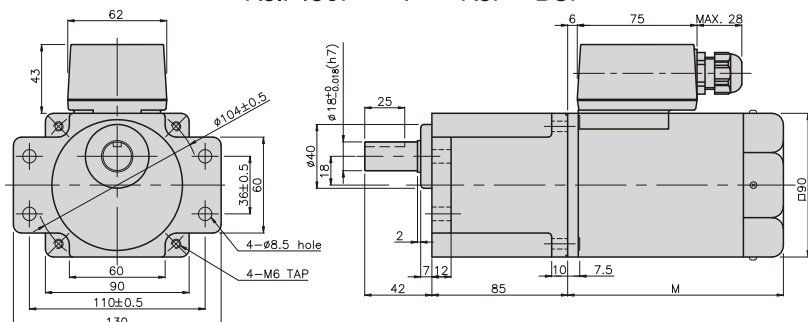
K9IP150F□-T + K9P□BF



K9IP150F□-T + K9P□BU



K9IP150F□-T + K9P□BUF



GEARHEADS

DIMENSIONS

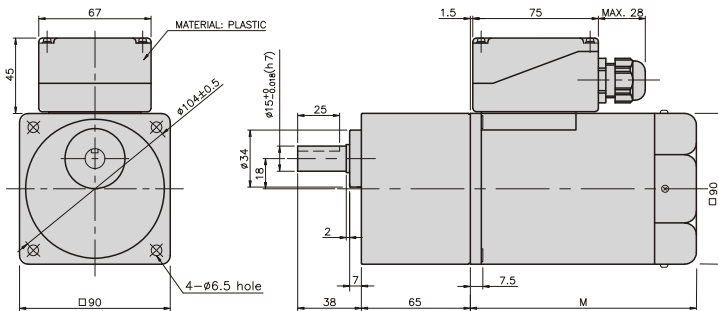
K9IP150F□-T5 + KP9□B

K9IP150F□-T5 + K9P□BF, BUF

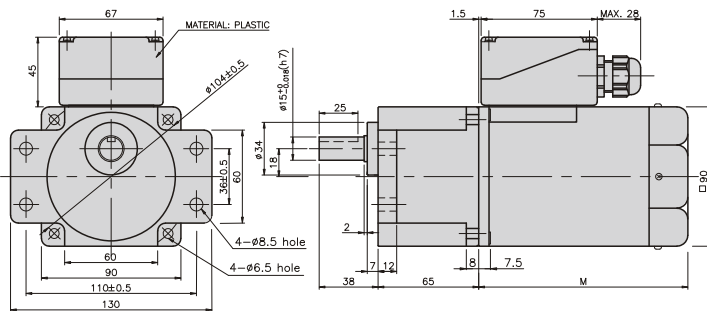
K9IP150F□-T5 + K9P□BU



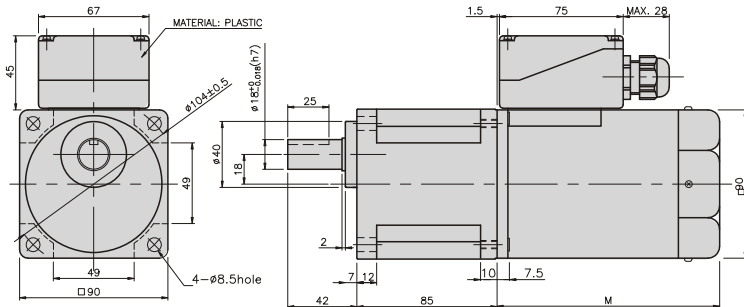
K9IP150F□-T5 + KP9□B



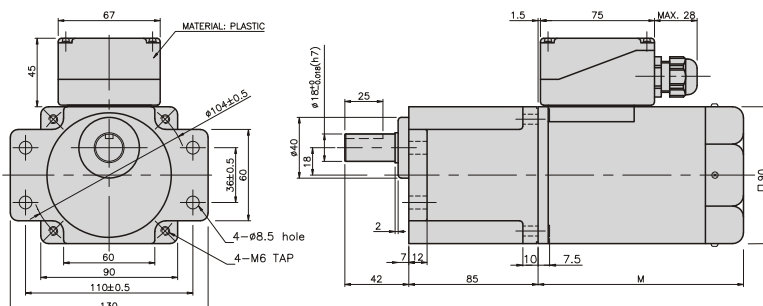
K9IP150F□-T5 + KP9□BF



K9IP150F□-T5 + KP9□BU



K9IP150F□-T5 + KP9□BUF



WEIGHT

PART	WEIGHT(kg)
MOTOR	3.24(3.90)
DECIMAL GEAR HEAD	0.62

DIMENSION TABLE

PART No	M	Application Model
01	155	50Hz
02	135	60Hz

DIMENSION TABLE

PART No	L	Application Model	Mounting BOLT
01	85	K9P3~200B	M6 P1.0 X 95
02	40	K9P10BX	M6 P1.0 X 140

WEIGHT

PART	WEIGHT(kg)
K9P3~10B	1.22
K9P12.5~20B	1.32
K9P25~60B	1.42
K9P75~200B	1.45

DIMENSION TABLE

PART No	L	Application Model	Mounting BOLT
01	85	K9P3~200BF	M6 P1.0 X 25
02	40	K9P10BX	M6 P1.0 X 65

WEIGHT

PART	WEIGHT(kg)
K9P3~10BF	1.22
K9P12.5~20BF	1.30
K9P25~60BF	1.42
K9P75~200BF	1.44

DIMENSION TABLE

PART No	L	Application Model	Mounting BOLT
01	85	K9P3~200BU	M6 P1.0 X 20
02	40	K9P10BX	M6 P1.0 X 60

WEIGHT

PART	WEIGHT(kg)
K9P3~10BU	1.44
K9P12.5~20BU	1.55
K9P25~60BU	1.69
K9P75~200BU	1.74

DIMENSION TABLE

PART No	L	Application Model	Mounting BOLT
01	85	K9P3~200BUF	M6 P1.0 X 20
02	40	K9P10BX	M6 P1.0 X 65

WEIGHT

PART	WEIGHT(kg)
K9P3~10BUF	1.50
K9P12.5~20BUF	1.62
K9P25~60BUF	1.76
K9P75~200BUF	1.82

INDUCTION MOTOR

180W

□ 90mm

LEAD WIRE TYPE TERMINAL BOX TYPE

K9IS180F□



K9IS180F□-T, T5



SPECIFICATIONS

180W continuous rating, four poles

Model	Voltage (V)	Frequency (Hz)	Current (A)	Start T. (N*m/ Kgf*cm)	Rated T. (N*m/ Kgf*cm)	Speed (rpm)	Condenser (μF)
K9I□180FJ(-T, -T5)	100	50	3,43	0,9/9	1,35/13,5	1300	50
		60	3,7	1/10	1,1/11	1600	
K9I□180FU(-T, -T5)	110	60	2,85	0,8/8	1,1/11	1600	35
	115		3,06				
K9I□180FL(-T, -T5)	200	50	1,47	0,73/7,3	1,35/13,5	1300	12
		60	1,43	0,65/6,5	1,1/11	1600	
K9I□180FC(-T, -T5)	220	50	1,58	0,7/7	1,35/13,5	1300	8
		60	1,38	0,65/6,5	1,1/11	1600	
	230	50	1,7	0,75/7,5	1,35/13,5	1300	
		60	1,54	0,7/7	1,1/11	1600	
K9I□180FD(-T, -T5)	240	50	1,2	0,8/8	1,35/13,5	1300	8

* □ : SHAFT SHAPE (S : STRAIGHT, P : PINION)

RATED TORQUE OF GEARHEAD

● 50Hz

unit = above : N·m / below : kgfcm

Model Motor/ Gearhead	Speed(rpm)	600	500	360	300	240	200	180	144	120	100	90	72	60	50	45	36	30	24	20	18	15	12	10	9
	Ratio	3	3,6	5	6	7,5	9	10	12,5	15	18	20	25	30	36	40	50	60	75	90	100	120	150	180	200
K9I□180F□(-T, -T5)		3,28	3,94	5,47	6,56	8,20	9,84	10,94	12,30	14,76	17,71	19,68	22,14	26,57	30	30	30	30	30	30	30	30	30	30	30
K9P□BU, BUF		32,8	39,4	54,7	65,6	82,0	98,4	109,4	123,0	147,6	177,1	196,8	221,4	265,7	300	300	300	300	300	300	300	300	300	300	300

● 60Hz

unit = above : N·m / below : kgfcm

Model Motor/ Gearhead	Speed(rpm)	600	500	360	300	240	200	180	144	120	100	90	72	60	50	45	36	30	24	20	18	15	12	10	9
	Ratio	3	3,6	5	6	7,5	9	10	12,5	15	18	20	25	30	36	40	50	60	75	90	100	120	150	180	200
K9I□180F□(-T, -T5)		2,67	3,21	4,46	5,35	6,68	8,02	8,91	10,02	12,03	14,43	16,04	18,04	21,65	25,98	28,87	30	30	30	30	30	30	30	30	30
K9P□BU, BUF		26,7	32,1	44,6	53,5	66,8	80,2	89,1	100,2	120,3	144,3	160,4	180,4	216,5	259,8	288,7	300	300	300	300	300	300	300	300	300

* Gearhead and decimal gearhead are sold separately.

* The code in □ of gearhead model is for gear ratio.

* ■ color indicates that the output shaft of the geared motor rotates in the same direction as the output shaft of the motor. Others indicate rotation in the opposite direction.

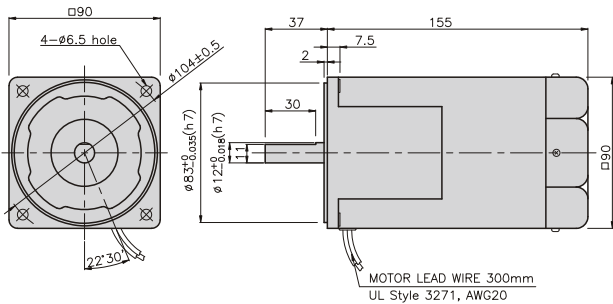
* If you are to have less ratio than the ratio in the table, you can install the decimal gearhead, which has one tenth of the ratio, between the gearhead and the motor. In this case, the permissible torque is 30N·m/300kgfcm.

* RPM is based on motor's synchronous rpm (50HZ:1500rpm, 60HZ:1800rpm) and calculated by dividing gear ratio. Actual rpm is 2~20% less than indicating rpm according to load size.

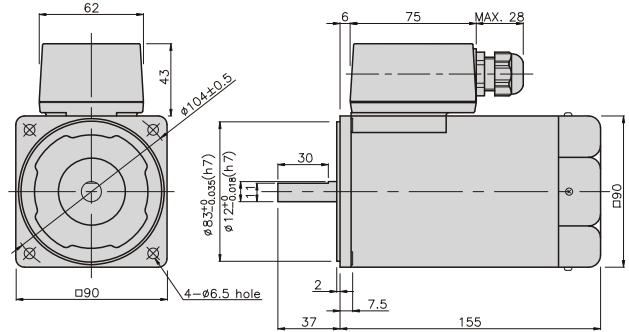
GEARHEADS

DIMENSIONS

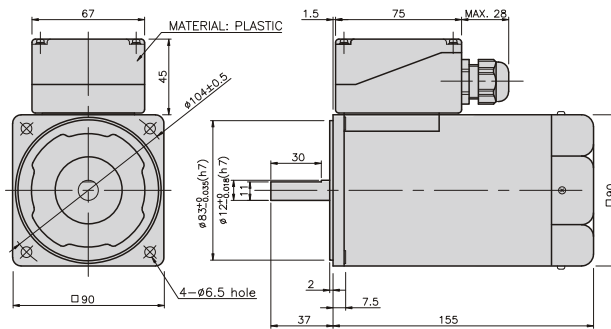
K9IS180F□



K9IS180F□-T

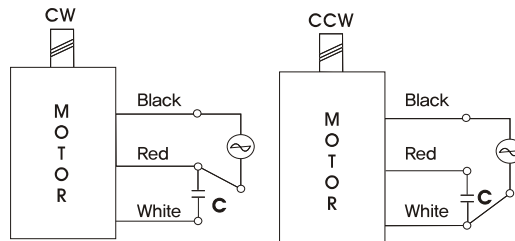


K9IS180F□-T5



CONNECTION DIAGRAMS

K9IS180F□

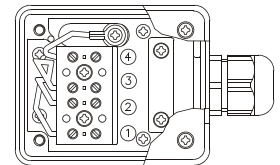
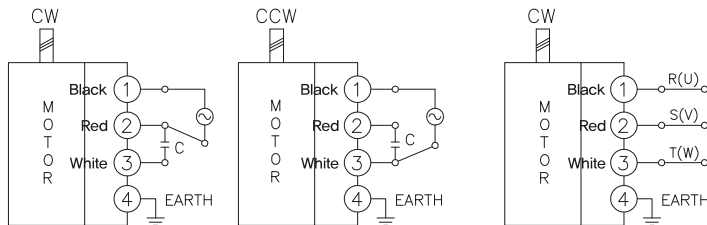


The direction of motor rotation is as viewed from the front shaft end of the motor

K9IS180F□-T

single phase motor

three phase motor

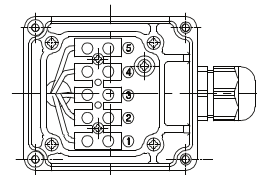
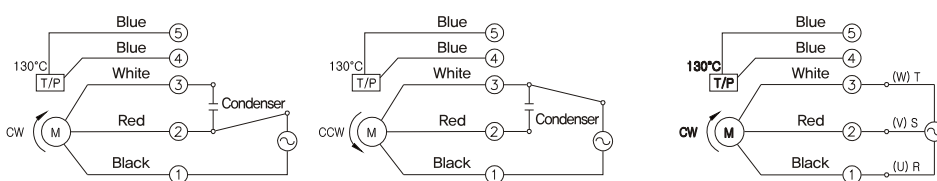


The direction of motor rotation is as viewed from the front shaft end of the motor

K9IS180F□-T5

single phase motor

three phase motor



The direction of motor rotation is as viewed from the front shaft end of the motor connecting two leadwires of U,V,W in turns

GEARHEADS

DIMENSIONS

K9P□BU

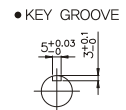
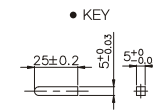
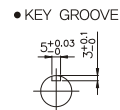
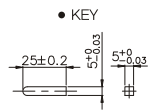
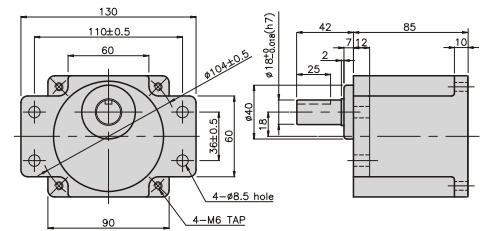
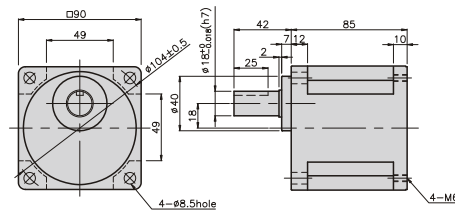
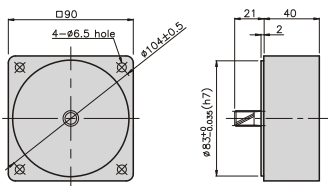
K9P□BUF



DECIMAL GEARHEAD
K9P10BX

GEARHEAD
K9P□BU

GEARHEAD
K9P□BUF



GEARHEADS

DIMENSIONS

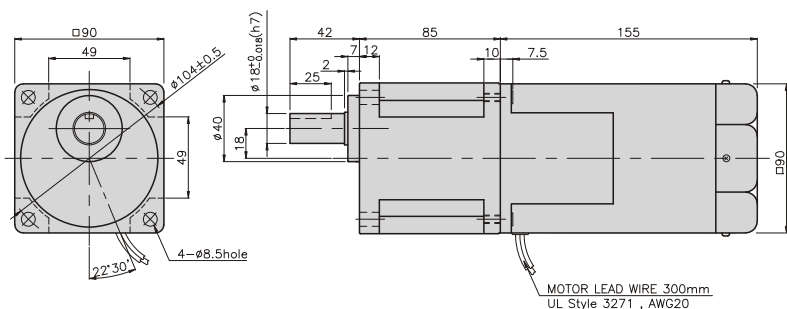
K9IP180F□ + K9P□BU



K9IP180F□ + K9P□BUF



K9IP180F□ + K9P□BU



WEIGHT

PART	WEIGHT(kg)
MOTOR	3,72
DECIMAL GEAR HEAD	0,62

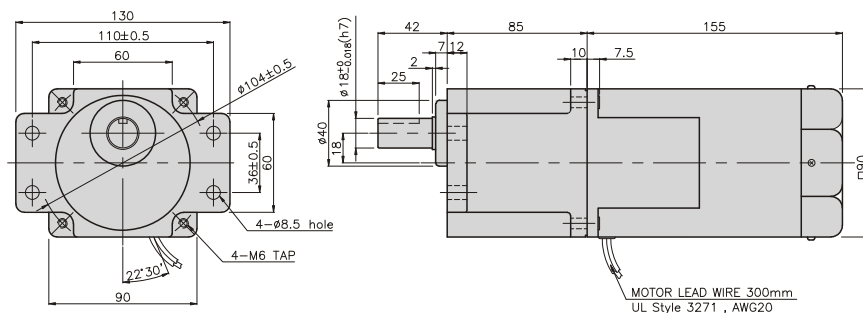
DIMENSION TABLE

PART No	L	Application Model	Mounting BOLT
01	85	K9P3~200BU	M6 P1,0 X 20
02	40	K9P10BX	M6 P1,0 X 60

WEIGHT

PART	WEIGHT(kg)
K9P3~10BU	1,44
K9P12,5~20BU	1,55
K9P25~60BU	1,69
K9P75~200BU	1,74

K9IP180F□ + K9P□BUF



DIMENSION TABLE

PART No	L	Application Model	Mounting BOLT
01	85	K9P3~200BUF	M6 P1,0 X 20
02	40	K9P10BX	M6 P1,0 X 65

WEIGHT

PART	WEIGHT(kg)
K9P3~10BUF	1,50
K9P12,5~20BUF	1,62
K9P25~60BUF	1,76
K9P75~200BUF	1,82

GEARHEADS

CONNECTION DIAGRAMS

K9IP180F□-T + K9P□BU



K9IP180F□-T + K9P□BUF



WEIGHT

PART	WEIGHT(kg)
MOTOR	3,90
DECIMAL GEAR HEAD	0,62

DIMENSION TABLE

PART No	L	Application Model	Mounting BOLT
01	85	K9P3~200BU	M6 P1,0 X 20
02	40	K9P10BX	M6 P1,0 X 60

WEIGHT

PART	WEIGHT(kg)
K9P3~10BU	1,44
K9P12,5~20BU	1,55
K9P25~60BU	1,69
K9P75~200BU	1,74

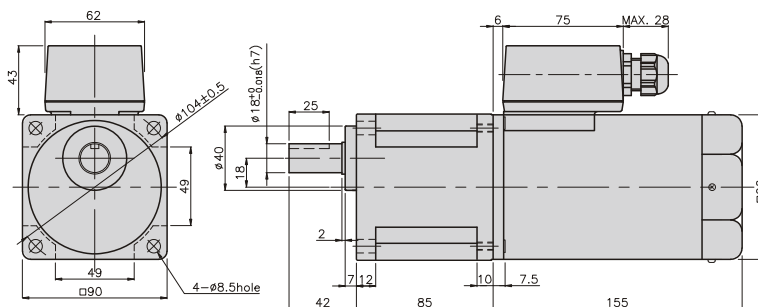
DIMENSION TABLE

PART No	L	Application Model	Mounting BOLT
01	85	K9P3~200BUF	M6 P1,0 X 20
02	40	K9P10BX	M6 P1,0 X 65

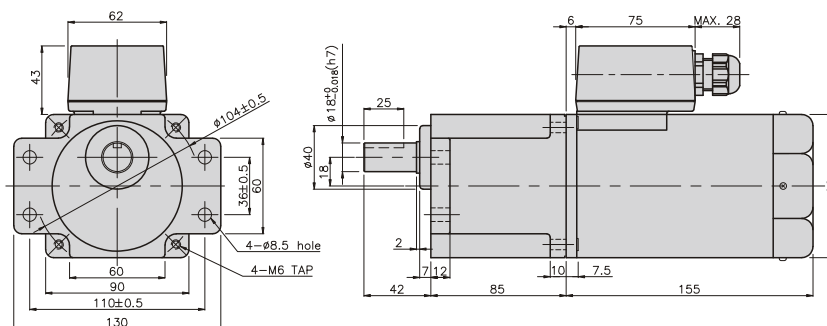
WEIGHT

PART	WEIGHT(kg)
K9P3~10BUF	1,50
K9P12,5~20BUF	1,62
K9P25~60BUF	1,76
K9P75~200BUF	1,82

K9IP180F□-T + K9P□BU



K9IP180F□-T + K9P□BUF



GEARHEADS

DIMENSIONS

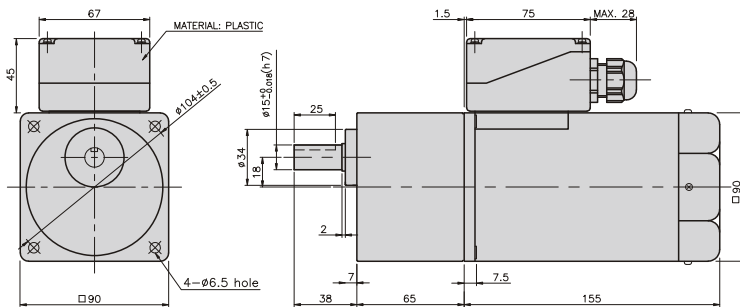
K9IP180F□-T5 + K9P□BU



K9IP180F□-T5 + K9P□BUF



K9IP180F□-T5 + K9P□BU



WEIGHT

PART	WEIGHT(kg)
MOTOR	3,90
DECIMAL GEAR HEAD	0,62

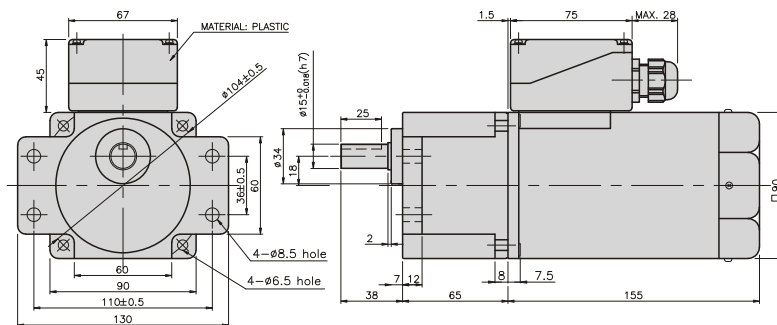
DIMENSION TABLE

PART No	L	Application Model	Mounting BOLT
01	85	K9P3~200BU	M6 P1,0 X 20
02	40	K9P10BX	M6 P1,0 X 60

WEIGHT

PART	WEIGHT(kg)
K9P3~10BU	1,44
K9P12,5~20BU	1,55
K9P25~60BU	1,69
K9P75~200BU	1,74

K9IP180F□-T5 + K9P□BUF



DIMENSION TABLE

PART No	L	Application Model	Mounting BOLT
01	85	K9P3~200BUF	M6 P1,0 X 20
02	40	K9P10BX	M6 P1,0 X 65

WEIGHT

PART	WEIGHT(kg)
K9P3~10BUF	1,50
K9P12,5~20BUF	1,62
K9P25~60BUF	1,76
K9P75~200BUF	1,82

INDUCTION MOTOR

200W

□90mm

LEAD WIRE TYPE TERMINAL BOX TYPE

K9IS200FH



K9IS200F□-T, T5



SPECIFICATIONS

200W continuous rating, four poles

Model	Voltage (V)	Frequency (Hz)	Current (A)	Start T. (N*m/ Kgf*Cm)	Rated T. (N*m. Kgf*Cm)	Speed (rpm)	Condenser (μF)
K9I□200FT(-T, -T5)	200	50	1,62	4/40	1,5/15	1300	-
		60	1,29	3,15/31,5	1,22/12,2	1600	
K9I□200FH(-T, -T5)	220	50	1,36	4,25/42,5	1,45/14,5	1350	-
		60	1,06	3,4/34	1,22/12,2	1600	
	230	50	1,51	4,3/43	1,45/14,5	1350	-
		60	1,15	3,5/35	1,22/12,2	1600	
K9I□200FM(-T, -T5)	380	50	0,81	4,3/43	1,45/14,5	1350	-
		60	0,58	3,6/36	1,22/12,2	1600	
K9I□200FV(-T, -T5)	400	50	0,91	4,5/45	1,45/14,5	1350	-
		60	0,67	4/40	1,22/12,2	1600	
K9I□200FQ(-T, -T5)	415	50	0,62	3,8/38	1,5/15	1300	-
		60	0,58	3/30	1,26/12,6	1550	
K9I□200FZ(-T, -T5)	440	50	0,68	4,1/41	1,5/15	1300	-
		60	0,54	3/30	1,22/12,2	1600	

* □ : SHAFT SHAPE (S : STRAIGHT, P : PINION)

RATED TORQUE OF GEARHEAD

● 50Hz

unit = above : N · m / below : kgfcm

Model Motor/ Gearhead	Speed(rpm)	500	416	300	250	200	166	150	120	100	83	75	60	50	41	37	30	25	20	16	15	13	10	8,3	7,5
	Ratio	3	3,6	5	6	7,5	9	10	12,5	15	18	20	25	30	36	40	50	60	75	90	100	120	150	180	200
K9I□200F□(-T, -T5) K9P□BU, BUF		3,52	4,23	5,87	7,05	8,81	10,57	11,75	13,21	15,86	19,03	21,14	23,78	28,54	30	30	30	30	30	30	30	30	30	30	30
		35,2	42,3	58,7	70,5	88,1	105,7	117,5	132,1	158,6	190,3	211,4	237,8	285,4	300	300	300	300	300	300	300	300	300	300	300

● 60Hz

unit = above : N · m / below : kgfcm

Model Motor/ Gearhead	Speed(rpm)	600	500	360	300	240	200	180	144	120	100	90	72	60	50	45	36	30	24	20	18	15	12	10	9
	Ratio	3	3,6	5	6	7,5	9	10	12,5	15	18	20	25	30	36	40	50	60	75	90	100	120	150	180	200
K9I□200F□(-T, -T5) K9P□BU, BUF		2,96	3,56	4,94	5,93	7,41	8,89	9,88	11,12	13,34	16,01	17,79	20,01	24,01	28,82	30	30	30	30	30	30	30	30	30	30
		29,6	35,6	49,4	59,3	74,1	88,9	98,8	111,2	133,4	160,1	177,9	200,1	240,1	288,2	300	300	300	300	300	300	300	300	300	300

* Gearhead and decimal gearhead are sold separately.

* The code in □ of gearhead model is for gear ratio.

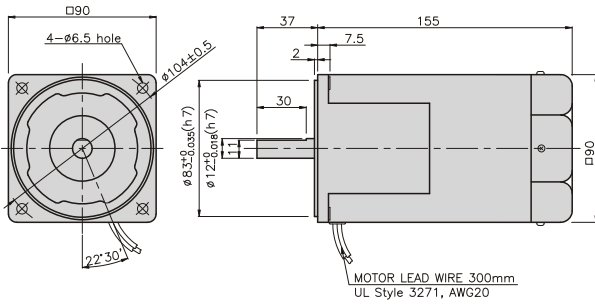
* ■ color indicates that the output shaft of the geared motor rotates in the same direction as the output shaft of the motor. Others indicate rotation in the opposite direction.

* If you are to have less ratio than the ratio in the table, you can install the decimal gearhead, which has one tenth of the ratio, between the gearhead and the motor. In this case, the permissible torque is 30N · m/300kgfcm.

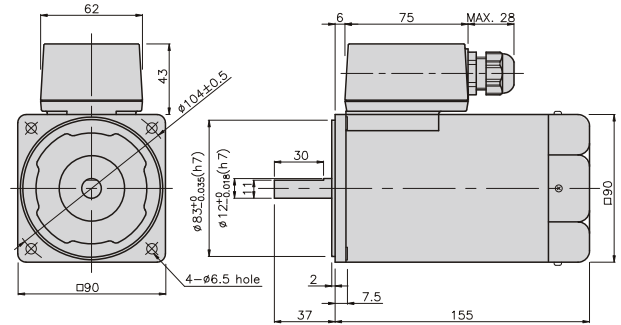
* RPM is based on motor's synchronous rpm (50HZ:1500rpm, 60HZ:1800rpm) and calculated by dividing gear ratio. Actual rpm is 2~20% less than indicating rpm according to load size.

GEARHEADS

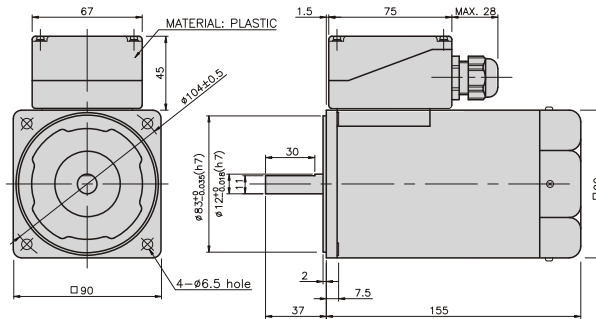
K9IS200FH



K9IS200F□-T

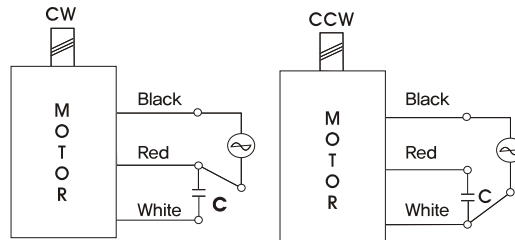


K9IS200F□-T5



CONNECTION DIAGRAMS

K9IS200F□

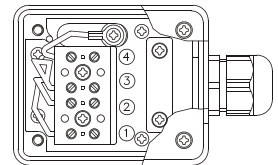
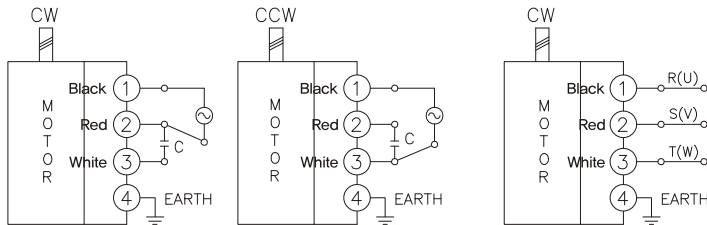


The direction of motor rotation is as viewed from the front shaft end of the motor

K9IS200F□-T

single phase motor

three phase motor

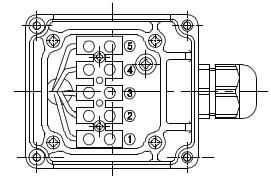
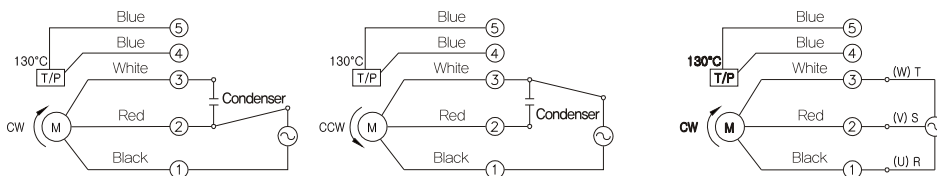


The direction of motor rotation is as viewed from the front shaft end of the motor

K9IS200F□-T5

single phase motor

three phase motor



The direction of motor rotation is as viewed from the front shaft end of the motor connecting two leadwires of U,V,W in turns

GEARHEADS

DIMENSIONS

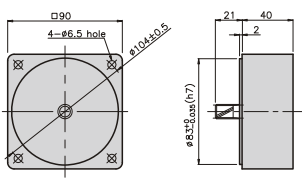
K9P□BU



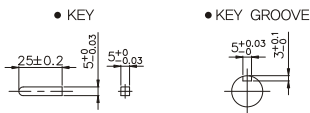
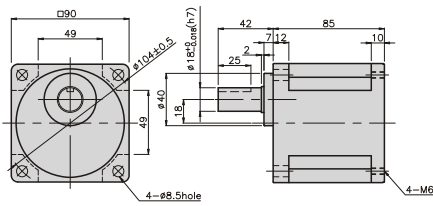
K9P□BUF



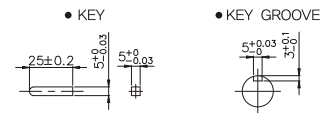
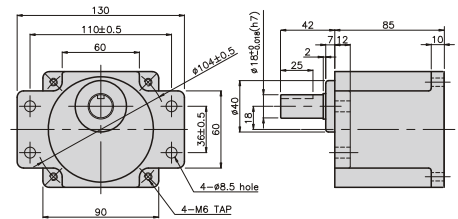
DECIMAL GEARHEAD
K9P10BX



GEARHEAD
K9P□BU



GEARHEAD
K9P□BUF



GEARHEADS

DIMENSIONS

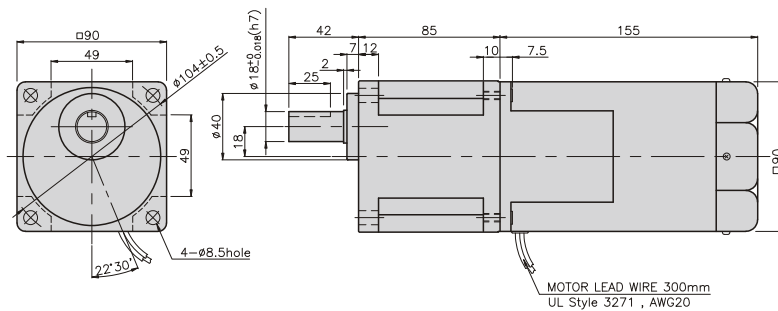
K9IP200F□ + K9P□BU



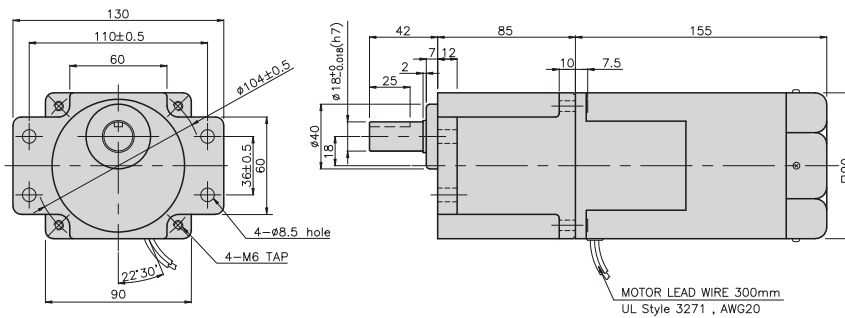
K9IP200F□ + K9P□BUF



K9IP200F□ + K9P□BU



K9IP200F□ + K9P□BUF



WEIGHT

PART	WEIGHT(kg)
MOTOR	3,82
DECIMAL GEAR HEAD	0,62

DIMENSION TABLE

PART No	L	Application Model	Mounting BOLT
01	85	K9P3~200BU	M6 P1,0 X 20
02	40	K9P10BX	M6 P1,0 X 60

WEIGHT

PART	WEIGHT(kg)
K9P3~10BU	1,44
K9P12,5~20BU	1,55
K9P25~60BU	1,69
K9P75~200BU	1,74

DIMENSION TABLE

PART No	L	Application Model	Mounting BOLT
01	85	K9P3~200BUF	M6 P1,0 X 20
02	40	K9P10BX	M6 P1,0 X 65

WEIGHT

PART	WEIGHT(kg)
K9P3~10BUF	1,50
K9P12,5~20BUF	1,62
K9P25~60BUF	1,76
K9P75~200BUF	1,82

GEARHEADS

DIMENSIONS

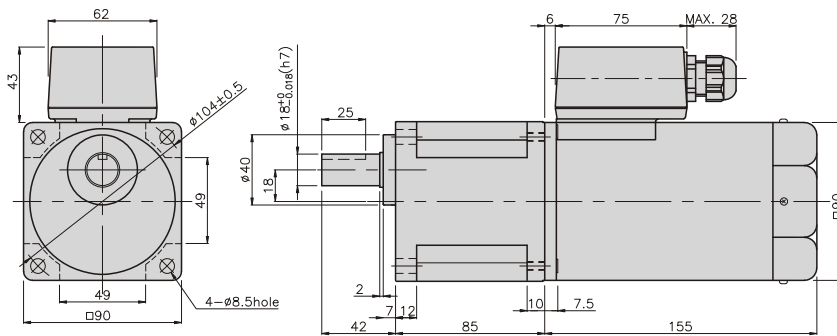
K9IP200F□-T + K9P□BU



K9IP200F□-T + K9P□BUF



K9IP200F□-T + K9P□BU



WEIGHT

PART	WEIGHT(kg)
MOTOR	4,00
DECIMAL GEAR HEAD	0,62

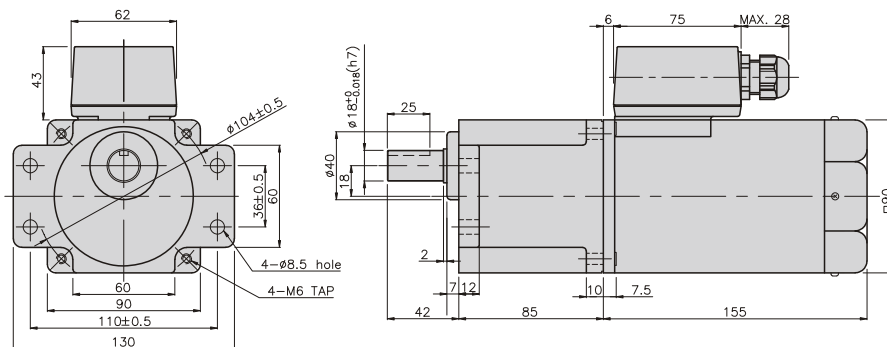
DIMENSION TABLE

PART No	L	Application Model	Mounting BOLT
01	85	K9P3~200BU	M6 P1,0 X 20
02	40	K9P10BX	M6 P1,0 X 60

WEIGHT

PART	WEIGHT(kg)
K9P3~10BU	1,44
K9P12,5~20BU	1,55
K9P25~60BU	1,69
K9P75~200BU	1,74

K9IP200F□-T + K9P□BUF



DIMENSION TABLE

PART No	L	Application Model	Mounting BOLT
01	85	K9P3~200BUF	M6 P1,0 X 20
02	40	K9P10BX	M6 P1,0 X 65

WEIGHT

PART	WEIGHT(kg)
K9P3~10BUF	1,50
K9P12,5~20BUF	1,62
K9P25~60BUF	1,76
K9P75~200BUF	1,82

GEARHEADS

DIMENSIONS

K9IP200F□-T5 + K9P□BU



K9IP200F□-T5 + K9P□BUF



WEIGHT

PART	WEIGHT(kg)
MOTOR	4.00
DECIMAL GEAR HEAD	0.62

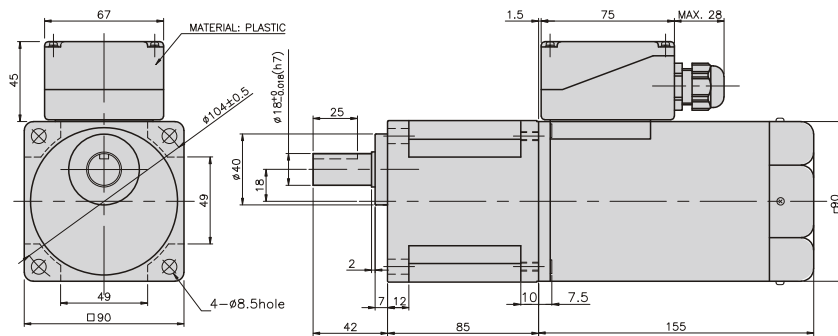
DIMENSION TABLE

PART No	L	Application Model	Mounting BOLT
01	85	K9P3~200BU	M6 P1,0 X 20
02	40	K9P10BX	M6 P1,0 X 60

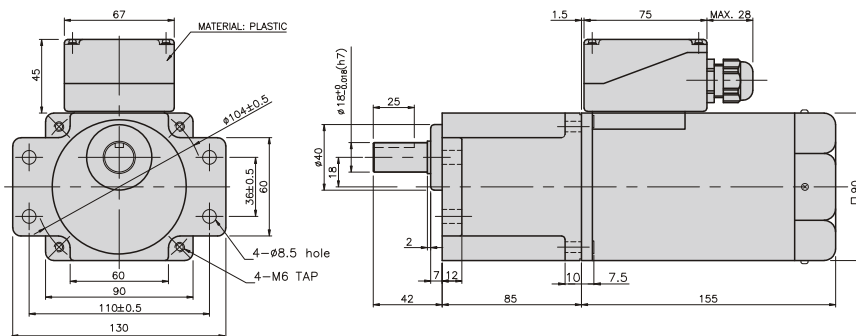
WEIGHT

PART	WEIGHT(kg)
K9P3~10BU	1.44
K9P12,5~20BU	1.55
K9P25~60BU	1.69
K9P75~200BU	1.74

K9IP200F□-T5 + K9P□BU



K9IP200F□-T5 + K9P□BUF



DIMENSION TABLE

PART No	L	Application Model	Mounting BOLT
01	85	K9P3~200BUF	M6 P1,0 X 20
02	40	K9P10BX	M6 P1,0 X 65

WEIGHT

PART	WEIGHT(kg)
K9P3~10BUF	1.50
K9P12,5~20BUF	1.62
K9P25~60BUF	1.76
K9P75~200BUF	1.82

REVERSIBLE MOTOR

60W

□90mm

LEAD WIRE TYPE TERMINAL BOX TYPE

K9RS60F□



K9RS60F□-T, T5



SPECIFICATIONS

60W continuous rating, four poles

Model	Voltage (V)	Frequency (Hz)	Current (A)	Start T. (N*m/Kgf*cm)	Rated T. (N*m/Kgf*cm)	Speed (rpm)	Condenser (μF)
K9R□60FJ(-T, -T5)	100	50	1,48	0,48/4,8	0,47/4,7	1250	25
		60	1,66			1550	
K9R□60FU(-T, -T5)	110	60	1,25	0,4/4	0,38/3,8	1550	17
	115		1,31	0,425/4,25			
K9R□60FL(-T, -T5)	200	50	0,72	0,5/5	0,47/4,7	1250	6
		60	0,76	0,44/4,4	0,39/3,9	1500	
K9R□60FC(-T, -T5)	220	50	0,69	0,45/4,5	0,47/4,7	1250	5
		60	0,76	0,48/4,8	0,38/3,8	1550	
	230	50	0,77	0,5/5	0,47/4,7	1250	
		60	0,79		0,38/3,8	1550	
K9R□60FD(-T, -T5)	240	50	0,75	0,5/5	0,47/4,7	1250	5

* □ : SHAFT SHAPE (S : STRAIGHT, G : PINION)

RATED TORQUE OF GEARHEAD

● 50Hz

unit = above : N · m / below : kgfcm

Model	Speed(rpm)	500	416	300	250	200	166	150	120	100	83	75	60	50	41	37	30	25	20	16	15	12,5	10	8,3	7,5
Motor/ Gearhead	Ratio	3	3,6	5	6	7,5	9	10	12,5	15	18	20	25	30	36	40	50	60	75	90	100	120	150	180	200
K9R□60F□(-T, -T5) K9P□B, BF		1,14	1,37	1,90	2,28	2,86	3,43	3,81	4,28	5,14	6,17	6,85	7,71	9,25	11,10	12,33	15,42	18,50	20	20	20	20	20	20	20
		11,4	13,7	19,0	22,8	28,6	34,3	38,1	42,8	51,4	61,7	68,5	77,1	92,5	111,0	123,3	154,2	185	200	200	200	200	200	200	200

● 60Hz

unit = above : N · m / below : kgfcm

Model	Speed(rpm)	600	500	360	300	240	200	180	144	120	100	90	72	60	50	45	36	30	24	20	18	15	12	10	9
Motor/ Gearhead	Ratio	3	3,6	5	6	7,5	9	10	12,5	15	18	20	25	30	36	40	50	60	75	90	100	120	150	180	200
K9R□60F□(-T, -T5) K9P□B, BF		0,92	1,11	1,54	1,85	2,31	2,77	3,08	3,46	4,16	4,99	5,54	6,23	7,48	8,98	9,97	12,47	14,96	16,83	20	20	20	20	20	20
		9,2	11,1	15,4	18,5	23,1	27,7	30,8	34,6	41,6	49,9	55,4	62,3	74,8	89,8	99,7	124,7	149,6	168,3	200	200	200	200	200	200

* Gearhead and decimal gearhead are sold separately.

* The code in □ of gearhead model is for gear ratio.

* ■ color indicates that the output shaft of the geared motor rotates in the same direction as the output shaft of the motor. Others indicate rotation in the opposite direction.

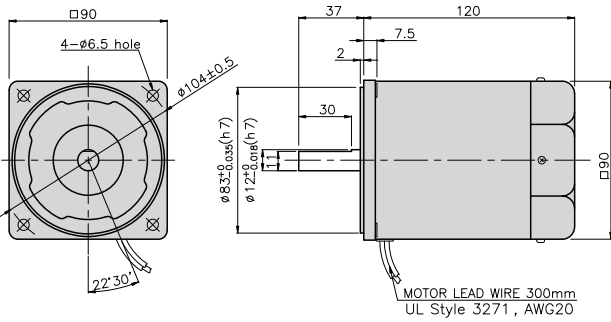
* If you are to have less ratio than the ratio in the table, you can install the decimal gearhead, which has one tenth of the ratio, between the gearhead and the motor. In this case, the permissible torque is 20N · m/200kgfcm.

* RPM is based on motor's synchronous rpm (50Hz:1500rpm, 60Hz:1800rpm) and calculated by dividing gear ratio. Actual rpm is 2~20% less than indicating rpm according to load size.

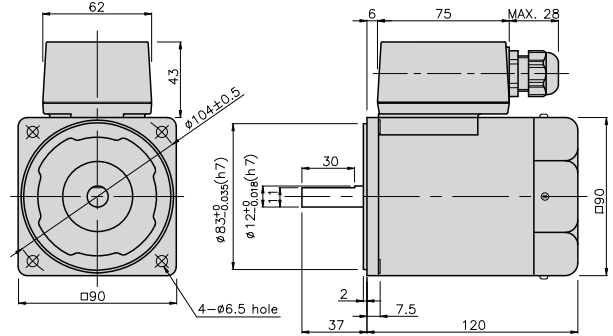
GEARHEADS

DIMENSIONS

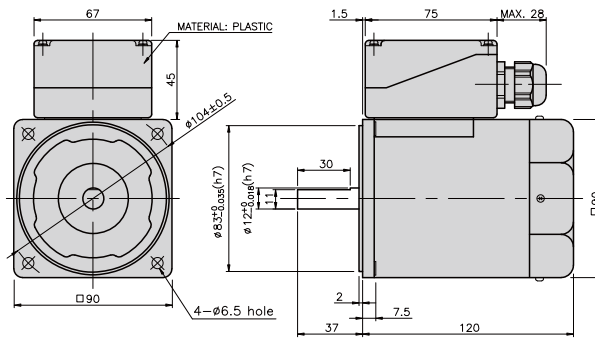
K9RS60F□



K9RS60F□-T



K9RS60F□-T5

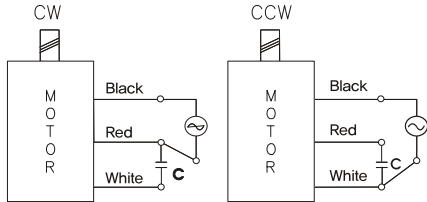


REVERSIBLE MOTORS

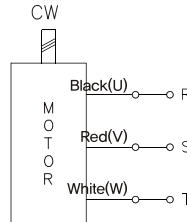
CONNECTION DIAGRAMS

K9RS60F□

single phase motor



three phase motor

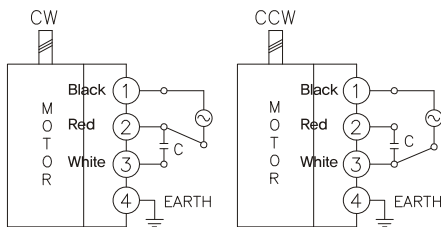


connecting two leadwires of U,V,W in turns

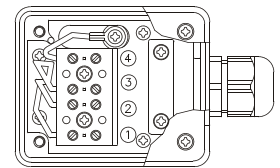
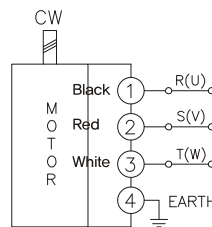
The direction of motor rotation is as viewed from the front shaft end of the motor

K9RS60F□-T

single phase motor



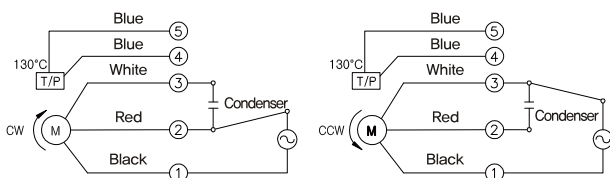
three phase motor



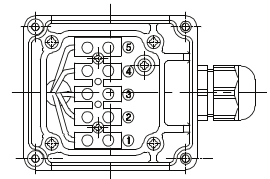
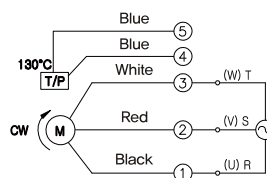
The direction of motor rotation is as viewed from the front shaft end of the motor

K9RS60F□-T5

single phase motor



three phase motor



connecting two leadwires of U,V,W in turns

The direction of motor rotation is as viewed from the front shaft end of the motor

Condenser

GEARHEADS

DIMENSIONS

K9P□B

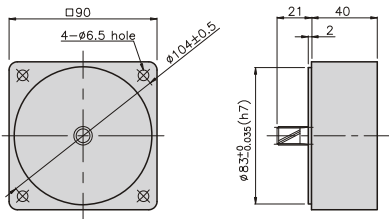


K9P□BF



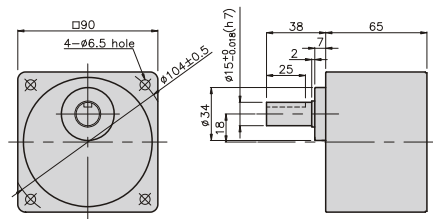
DECIMAL GEARHEAD

K9P10BX



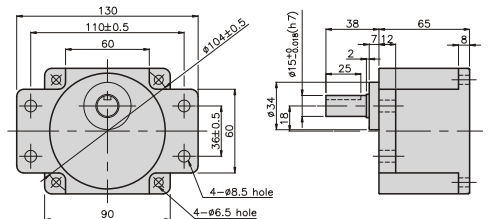
GEAR HEAD

K9P□B

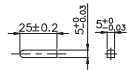


GEARHEAD

K9P□BF



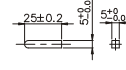
• KEY



• KEY GROOVE



• KEY



• KEY GROOVE



GEARHEADS

DIMENSIONS

K9RP60F□ + K9P□B



K9RP60F□ + K9P□BF



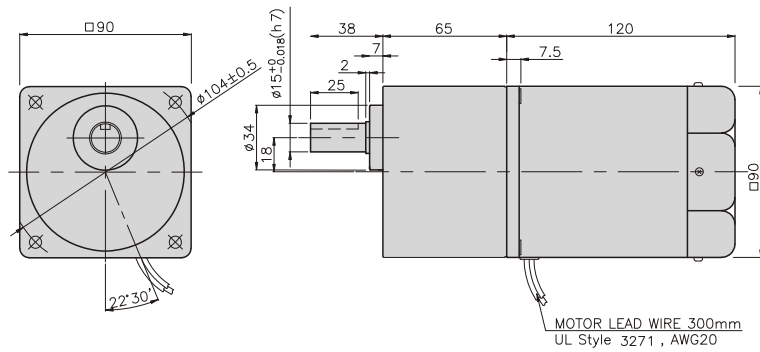
DIMENSION TABLE

PART No.	L	Application Model	Mounting BOLT
01	65	K9P3~200B	M6 P1,0 X 95
02	40	K9P10BX	M6 P1,0 X 140

WEIGHT

PART	WEIGHT(kg)	
MOTOR	2,50	
DECIMAL GEAR HEAD	0,62	
GEAR HEAD	K9P3~10B	1,22
	K9P12,5~20B	1,32
HEAD	K9P25~60B	1,42
	K9P75~200B	1,45

K9RP60F□ + K9P□B



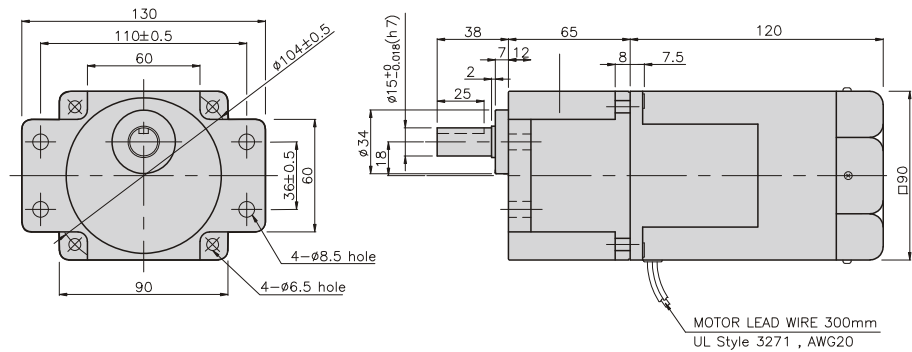
DIMENSION TABLE

PART No.	L	Application Model	Mounting BOLT
01	65	K9P3~200BF	M6 P1,0 X 25
02	40	K9P10BX	M6 P1,0 X 65

WEIGHT

PART	WEIGHT(kg)	
MOTOR	3,00	
DECIMAL GEAR HEAD	0,62	
GEAR HEAD	K9P3~10BF	1,22
	K9P12,5~20BF	1,30
HEAD	K9P25~60BF	1,42
	K9P75~200BF	1,44

K9RP60F□ + K9P□BF



GEARHEADS

DIMENSIONS

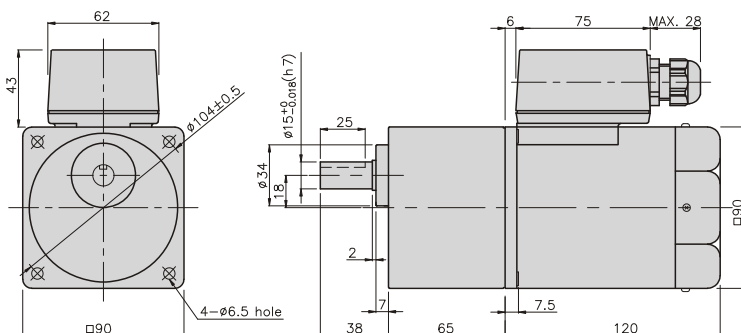
K9RP60F□-T + K9P□B



K9RP60F□-T + K9P□BF



K9RP60F□-T + K9P□B



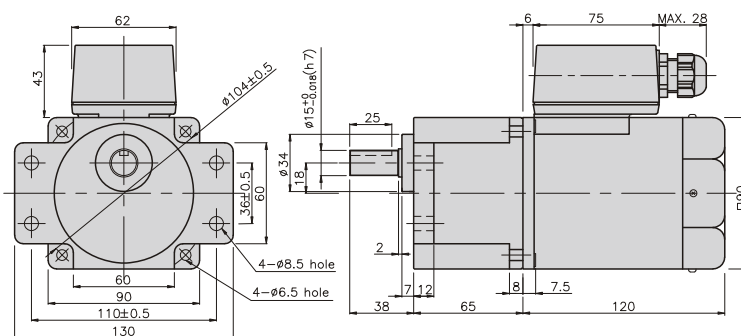
DIMENSION TABLE

PART No	L	Application Model	Mounting BOLT
01	65	K9P3~200B	M6 P1,0 X 95
02	40	K9P10BX	M6 P1,0 X 140

WEIGHT

PART	WEIGHT(kg)	
MOTOR	2,68	
DECIMAL GEAR HEAD	0,62	
GEAR HEAD	K9P3~10B	1,22
	K9P12,5~20B	1,32
	K9P25~60B	1,42
	K9P75~200B	1,45

K9RP60F□-T + K9P□BF



DIMENSION TABLE

PART No	L	Application Model	Mounting BOLT
01	65	K9P3~200B	M6 P1,0 X 95
02	40	K9P10BX	M6 P1,0 X 140

WEIGHT

PART	WEIGHT(kg)	
MOTOR	2,68	
DECIMAL GEAR HEAD	0,62	
GEAR HEAD	K9P3~10BF	1,22
	K9P12,5~20BF	1,32
	K9P25~60BF	1,42
	K9P75~200BF	1,45

GEARHEADS

DIMENSIONS

K9RP60F□-T5 + K9P□B



K9RP60F□-T5 + K9P□BF



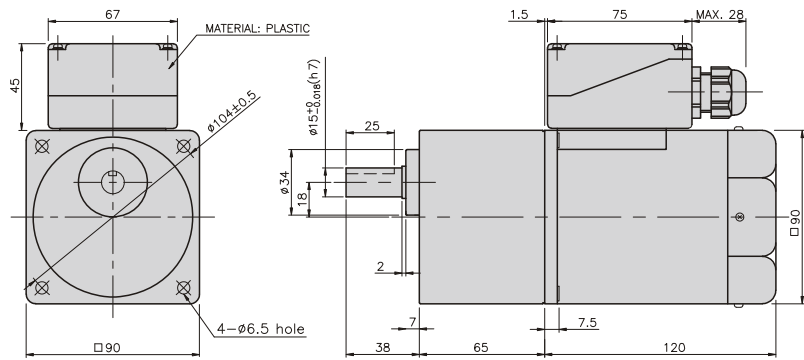
DIMENSION TABLE

PART No	L	Application Model	Mounting BOLT
01	65	K9P3~200B	M6 P1,0 X 95
02	40	K9P10BX	M6 P1,0 X 140

WEIGHT

PART	WEIGHT(kg)	
MOTOR	2,68	
DECIMAL GEAR HEAD	0,62	
GEAR HEAD	K9P3~10B	1,22
	K9P12,5~20B	1,32
	K9P25~60B	1,42
	K9P75~200B	1,45

K9RP60F□-T5 + K9P□B



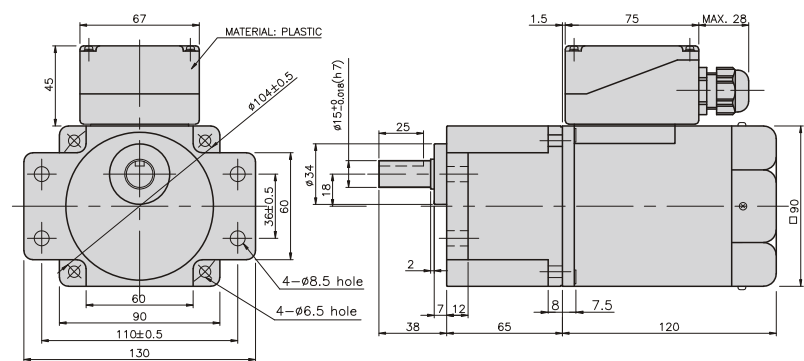
DIMENSION TABLE

PART No	L	Application Model	Mounting BOLT
01	65	K9P3~200B	M6 P1,0 X 95
02	40	K9P10BX	M6 P1,0 X 140

WEIGHT

PART	WEIGHT(kg)	
MOTOR	2,68	
DECIMAL GEAR HEAD	0,62	
GEAR HEAD	K9P3~10BF	1,22
	K9P12,5~20BF	1,32
	K9P25~60BF	1,42
	K9P75~200BF	1,45

K9RP60F□-T5 + K9P□BF



REVERSIBLE MOTOR

90W

□90mm

LEAD WIRE TYPE TERMINAL BOX TYPE

K9RS90F□



K9RS90F□-T, T5



SPECIFICATIONS

90W continuous rating, four poles

Model	Voltage (V)	Frequency (Hz)	Current (A)	Start T. (N*m/Kgf*cm)	Rated T. (N*m/Kgf*cm)	Speed (rpm)	Condenser (μF)
K9R□90FJ(-T, -T5)	100	50	2,52	0,6/6	0,705/7,05	1250	35
		60	2,42		0,57/5,7	1550	
K9R□90FU(-T, -T5)	110	60	1,88	0,55/5,5	0,57/5,7	1550	25
	115		2,12				
K9R□90FL(-T, -T5)	220	50	0,9	0,55/5,5	0,705/7,05	1250	8
		60	1,1		0,57/5,7	1550	
K9R□90FC(-T, -T5)	220	50	1	0,5/5	0,705/7,05	1250	7
		60	1,1	0,53/5,3	0,57/5,7	1550	
	230	50	1,3	0,6/6	0,705/7,05	1250	
		60	1,1		0,57/5,7	1550	
K9R□90FD(-T, -T5)	240	50	0,94	0,55/5,5	0,705/7,05	1250	6

□ : SHAFT SHAPE (S : STRAIGHT, G : PINION)

RATED TORQUE OF GEARHEAD

● 50Hz

unit = above : N · m / below : kgfcm

Model	Speed(rpm)	500	416	300	250	200	166	150	120	100	83	75	60	50	41	37	30	25	20	16	15	12,5	10	8,3	7,5
Motor/ Gearhead	Ratio	3	3,6	5	6	7,5	9	10	12,5	15	18	20	25	30	36	40	50	60	75	90	100	120	150	180	200
K9R□90F□(-T, -T5) K9P□B, BF		1,71	2,06	2,86	3,43	4,28	5,14	5,71	6,42	7,71	9,25	10,28	11,56	13,88	16,65	18,5	20	20	20	20	20	20	20	20	20
		17,1	20,6	28,6	34,3	42,8	51,4	57,1	64,2	77,1	92,5	102,8	115,6	138,8	166,5	185,0	200	200	200	200	200	200	200	200	200

● 60Hz

unit = above : N · m / below : kgfcm

Model	Speed(rpm)	600	500	360	300	240	200	180	144	120	100	90	72	60	50	45	36	30	24	20	18	15	12	10	9
Motor/ Gearhead	Ratio	3	3,6	5	6	7,5	9	10	12,5	15	18	20	25	30	36	40	50	60	75	90	100	120	150	180	200
K9R□90F□(-T, -T5) K9P□B, BF		1,39	1,66	2,31	2,77	3,46	4,16	4,62	5,19	6,23	7,48	8,31	9,35	11,22	13,46	14,96	18,7	20	20	20	20	20	20	20	20
		13,9	16,6	23,1	27,7	34,6	41,6	46,2	51,9	62,3	74,8	83,1	93,5	112,2	134,6	149,6	187	200	200	200	200	200	200	200	200

* Gearhead and decimal gearhead are sold separately.

* The code in □ of gearhead model is for gear ratio.

* color indicates that the output shaft of the geared motor rotates in the same direction as the output shaft of the motor. Others indicate rotation in the opposite direction.

* If you are to have less ratio than the ratio in the table, you can install the decimal gearhead, which has one tenth of the ratio, between the gearhead and the motor. In this case, the permissible torque is 20N · m/200kgfcm.

* RPM is based on motor's synchronous rpm (50HZ:1500rpm, 60HZ:1800rpm) and calculated by dividing gear ratio. Actual rpm is 2~20% less than indicating rpm according to load size.

GEARHEADS

RATED TORQUE OF GEARHEAD

● 50Hz

unit = above : N · m / below : kgfcm

Model	Speed(rpm)	500	416	300	250	200	166	150	120	100	83	75	60	50	41	37	30	25	20	16	15	13	10	8,3	7,5
Motor/ Gearhead	Ratio	3	3,6	5	6	7,5	9	10	12,5	15	18	20	25	30	36	40	50	60	75	90	100	120	150	180	200
K9R□90F□(-T, -T5) K9RP□BU, BUF		1,71	2,06	2,86	3,43	4,28	5,14	5,71	6,42	7,71	9,25	10,28	11,56	13,88	16,65	18,50	23,13	27,75	30	30	30	30	30	30	30
		17,1	20,6	28,6	34,3	42,8	51,4	57,1	64,2	77,1	92,5	102,8	115,6	138,8	165,6	185,0	231,3	277,5	300	300	300	300	300	300	300

● 60Hz

unit = above : N · m / below : kgfcm

Model	Speed(rpm)	600	500	360	300	240	200	180	144	120	100	90	72	60	50	45	36	30	24	20	18	15	12	10	9
Motor/ Gearhead	Ratio	3	3,6	5	6	7,5	9	10	12,5	15	18	20	25	30	36	40	50	60	75	90	100	120	150	180	200
K9R□90F□(-T, -T5) K9RP□BU, BUF		1,39	1,66	2,31	2,77	3,46	4,16	4,62	5,19	6,23	7,48	8,31	9,35	11,22	13,46	14,96	18,70	22,44	25,24	30	30	30	30	30	30
		13,9	16,6	23,1	27,7	34,6	41,6	46,2	51,9	62,3	74,8	83,1	93,5	112,2	134,6	149,6	187,0	224,4	252,4	300	300	300	300	300	300

* Gearhead and decimal gearhead are sold separately.

* The code in □ of gearhead model is for gear ratio.

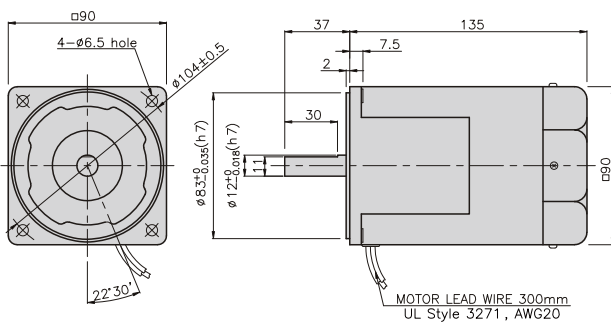
* ■ color indicates that the output shaft of the geared motor rotates in the same direction as the output shaft of the motor. Others indicate rotation in the opposite direction.

* If you are to have less ratio than the ratio in the table, you can install the decimal gearhead, which has one tenth of the ratio, between the gearhead and the motor. In this case, the permissible torque is 30N · m/300kgfcm.

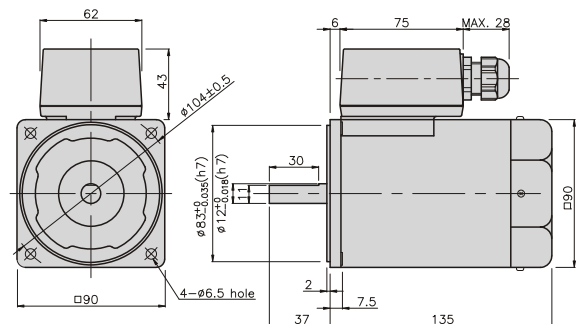
* RPM is based on motor's synchronous rpm (50HZ:1500rpm, 60HZ:1800rpm) and calculated by dividing gear ratio. Actual rpm is 2~20% less than indicating rpm according to load size.

DIMENSIONS

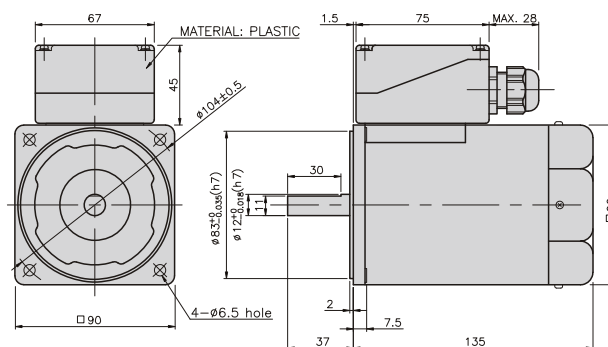
K9RS90F□



K9RS90F□-T



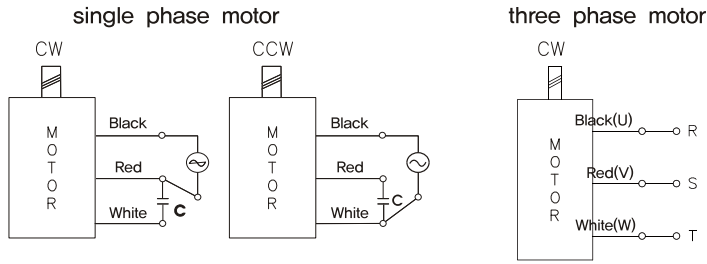
K9RS90F□-T5



GEARHEADS

CONNECTION DIAGRAMS

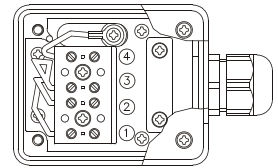
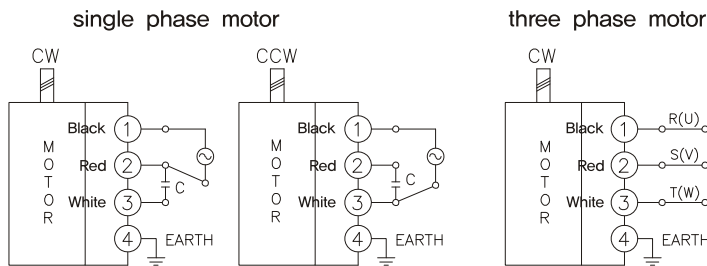
K9RS90F □



connecting two leadwires of U,V,W in turns

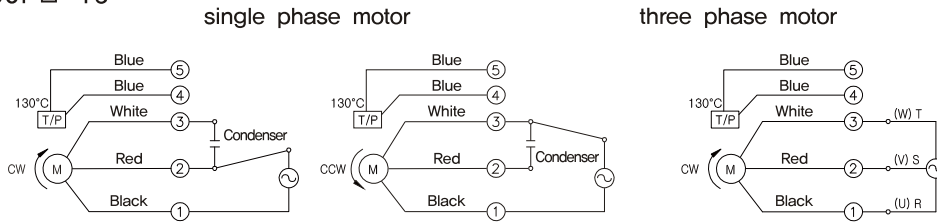
The direction of motor rotation is as viewed from the front shaft end of the motor

K9RS90F □-T



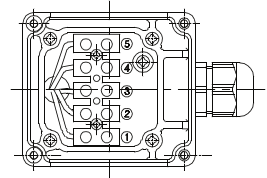
The direction of motor rotation is as viewed from the front shaft end of the motor

K9RS90F □-T5



connecting two leadwires of U,V,W in turns

The direction of motor rotation is as viewed from the front shaft end of the motor



GEARHEADS

DIMENSIONS

K9P□B



K9P□BF, BUF

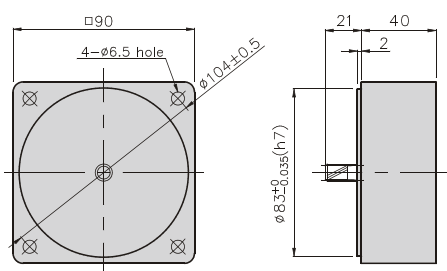


K9P□BU



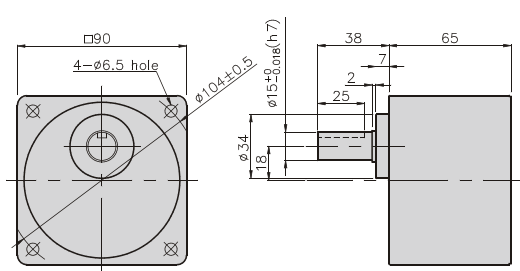
DECIMAL GEARHEAD

K9P10BX



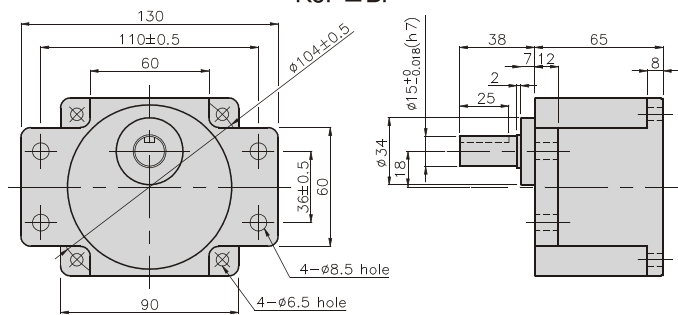
GEAR HEAD

K9P□B



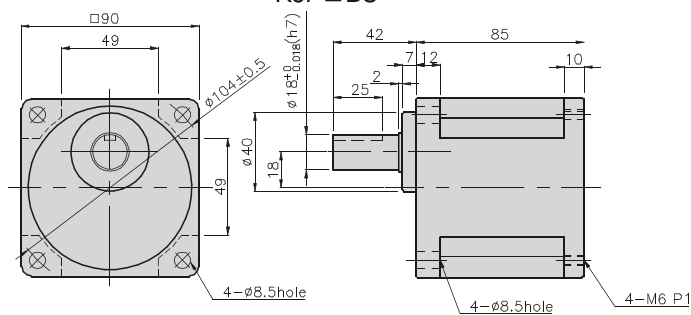
GEARHEAD

K9P□BF



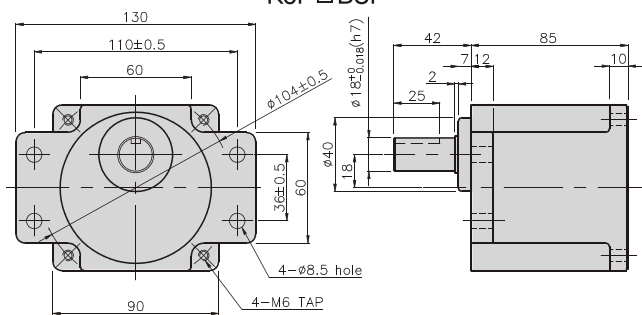
GEARHEAD

K9P□BU



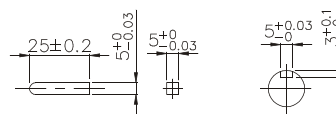
GEARHEAD

K9P□BUF



● KEY

● KEY GROOVE



REVERSIBLE MOTORS

GEARHEADS

DIMENSIONS

K9RP90F□ + K9P□B



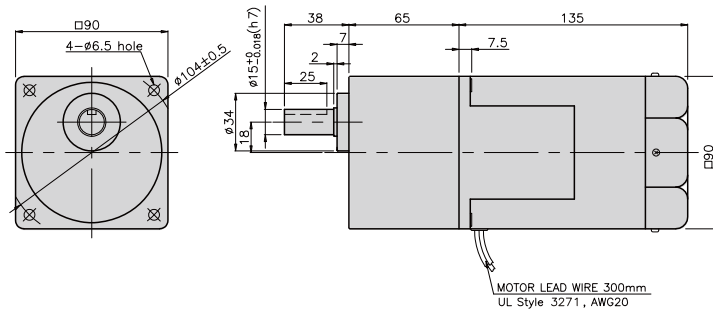
K9RP90F□ + K9P□BF, BUF



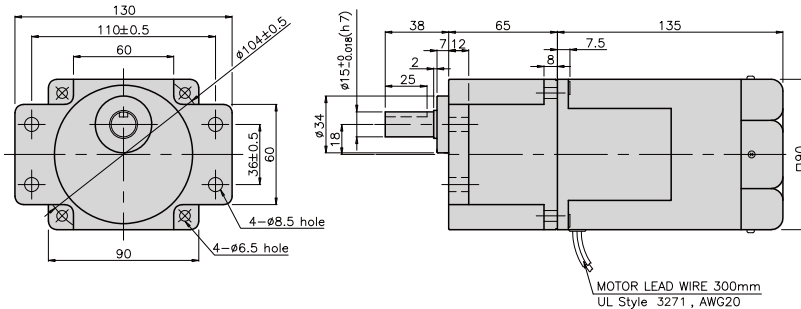
K9RP90F□ + K9P□BU



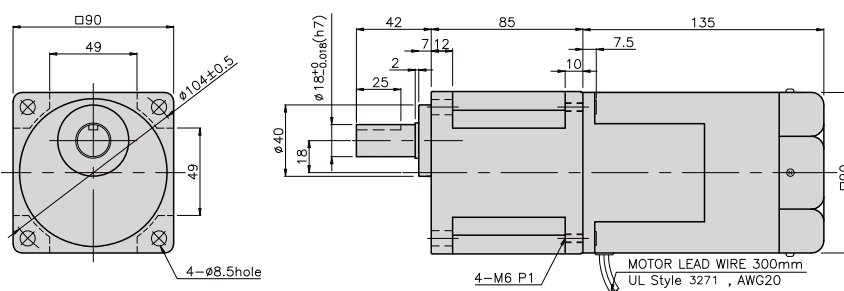
K9RP90F□ + K9P□B



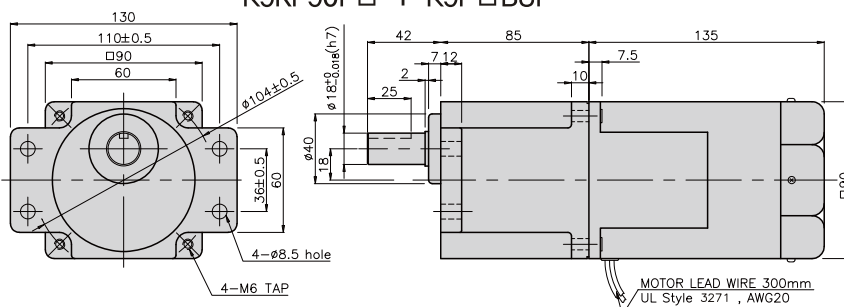
K9RP90F□ + K9P□BF



K9RP90F□ + K9P□BU



K9RP90F□ + K9P□BUF



WEIGHT

PART	WEIGHT(kg)
MOTOR	3,00
DECIMAL GEAR HEAD	0,62

DIMENSION TABLE

PART No	L	Application Model	Mounting BOLT
01	65	K9P3~200B	M6 P1,0 X 95
02	40	K9P10BX	M6 P1,0 X 140

WEIGHT

PART	WEIGHT(kg)
K9P3~10B	1,22
K9P12,5~20B	1,32
K9P25~60B	1,42
K9P75~200B	1,45

DIMENSION TABLE

PART No	L	Application Model	Mounting BOLT
01	65	K9P3~200BF	M6 P1,0 X 25
02	40	K9P10BX	M6 P1,0 X 65

WEIGHT

PART	WEIGHT(kg)
K9P3~10BF	1,22
K9P12,5~20BF	1,30
K9P25~60BF	1,42
K9P75~200BF	1,44

DIMENSION TABLE

PART No	L	Application Model	Mounting BOLT
01	85	K9P3~200BU	M6 P1,0 X 20
02	40	K9P10BX	M6 P1,0 X 60

WEIGHT

PART	WEIGHT(kg)
K9P3~10BU	1,44
K9P12,5~20BU	1,55
K9P25~60BU	1,69
K9P75~200BU	1,74

DIMENSION TABLE

PART No	L	Application Model	Mounting BOLT
01	85	K9P3~200BUF	M6 P1,0 X 20
02	40	K9P10BX	M6 P1,0 X 65

WEIGHT

PART	WEIGHT(kg)
K9P3~10BUF	1,50
K9P12,5~20BUF	1,62
K9P25~60BUF	1,76
K9P75~200BUF	1,82

GEARHEADS

DIMENSIONS

K9RP90F□-T + K9P□B



K9RP90F□-T + K9P□BF, BUF



K9RP90F□-T + K9P□BU



WEIGHT

PART	WEIGHT(kg)
MOTOR	3,18
DECIMAL GEAR HEAD	0,62

DIMENSION TABLE

PART No	L	Application Model	Mounting BOLT
01	65	K9P3~200B	M6 P1,0 X 95
02	40	K9P10BX	M6 P1,0 X 140

WEIGHT

PART	WEIGHT(kg)
K9P3~10B	1,22
K9P12,5~20B	1,32
K9P25~60B	1,42
K9P75~200B	1,45

DIMENSION TABLE

PART No	L	Application Model	Mounting BOLT
01	65	K9P3~200BF	M6 P1,0 X 25
02	40	K9P10BX	M6 P1,0 X 65

WEIGHT

PART	WEIGHT(kg)
K9P3~10BF	1,22
K9P12,5~20BF	1,30
K9P25~60BF	1,42
K9P75~200BF	1,44

DIMENSION TABLE

PART No	L	Application Model	Mounting BOLT
01	85	K9P3~200BU	M6 P1,0 X 20
02	40	K9P10BX	M6 P1,0 X 60

WEIGHT

PART	WEIGHT(kg)
K9P3~10BU	1,44
K9P12,5~20BU	1,55
K9P25~60BU	1,69
K9P75~200BU	1,74

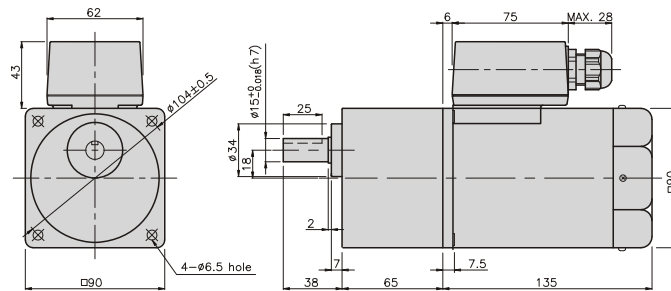
DIMENSION TABLE

PART No	L	Application Model	Mounting BOLT
01	85	K9P3~200BUF	M6 P1,0 X 20
02	40	K9P10BX	M6 P1,0 X 65

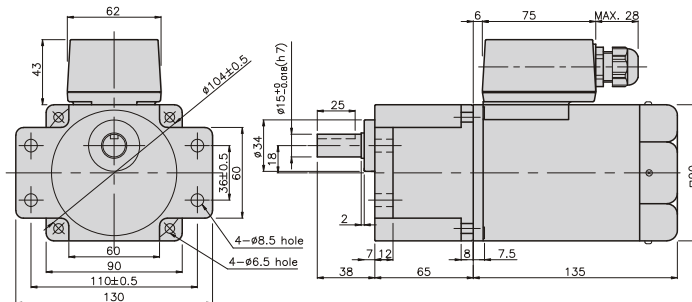
WEIGHT

PART	WEIGHT(kg)
K9P3~10BUF	1,50
K9P12,5~20BUF	1,62
K9P25~60BUF	1,76
K9P75~200BUF	1,82

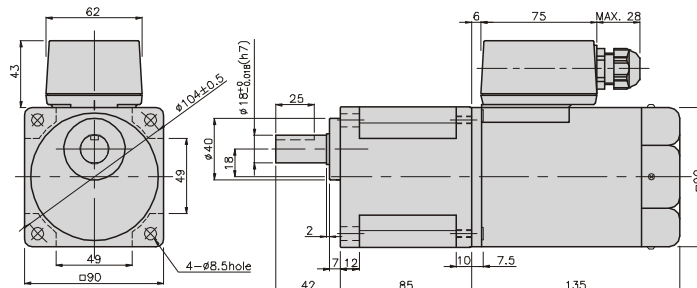
K9RP90F□-T + K9P□B



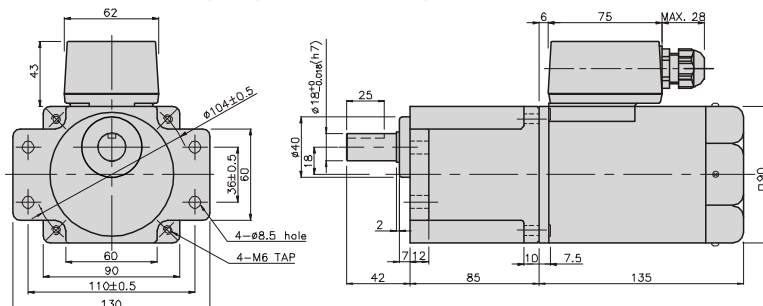
K9RP90F□-T + K9P□BF



K9RP90F□-T + K9P□BU



K9RP90F□-T + K9P□BUF



GEARHEADS

DIMENSIONS

K9RP90F□-T5 + K9P□B



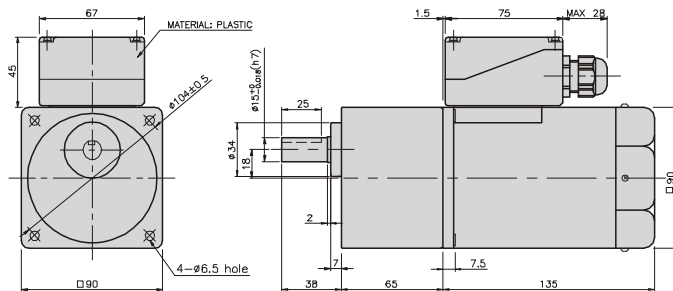
K9RP90F□-T5 + K9P□BF, BUF



K9RP90F□-T5 + K9P□BU



K9RP90F□-T5 + K9P□B



WEIGHT

PART	WEIGHT(kg)
MOTOR	3,18
DECIMAL GEAR HEAD	0,62

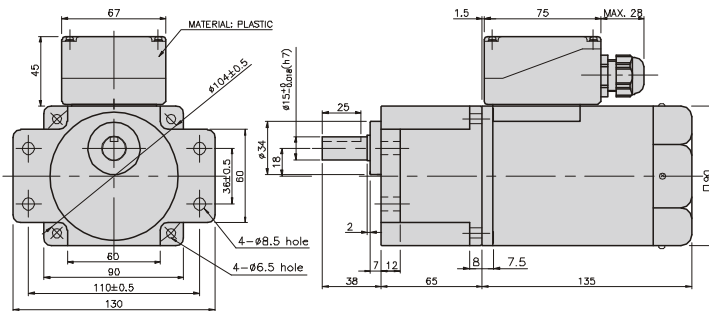
DIMENSION TABLE

PART No	L	Application Model	Mounting BOLT
01	65	K9P3~200B	M6 P1,0 X 95
02	40	K9P10BX	M6 P1,0 X 140

WEIGHT

PART	WEIGHT(kg)
K9P3~10B	1,22
K9P12,5~20B	1,32
K9P25~60B	1,42
K9P75~200B	1,45

K9RP90F□-T5 + K9P□BF



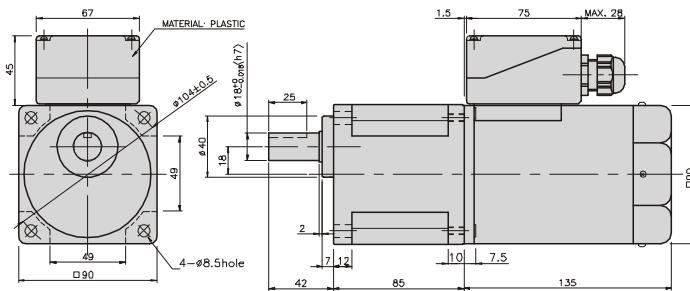
DIMENSION TABLE

PART No	L	Application Model	Mounting BOLT
01	65	K9P3~200BF	M6 P1,0 X 25
02	40	K9P10BX	M6 P1,0 X 65

WEIGHT

PART	WEIGHT(kg)
K9P3~10BF	1,22
K9P12,5~20BF	1,30
K9P25~60BF	1,42
K9P75~200BF	1,44

K9RP90F□-T5 + K9P□BU



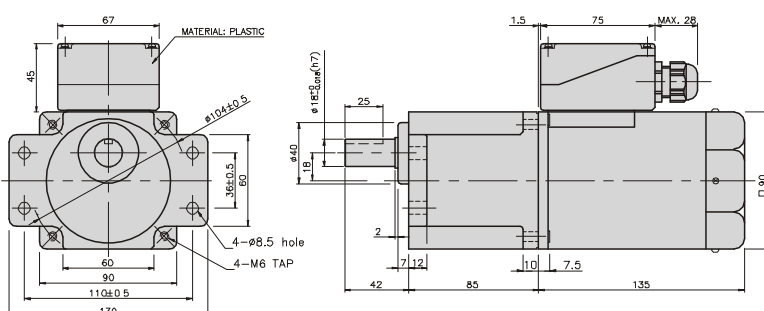
DIMENSION TABLE

PART No	L	Application Model	Mounting BOLT
01	85	K9P3~200BU	M6 P1,0 X 20
02	40	K9P10BX	M6 P1,0 X 60

WEIGHT

PART	WEIGHT(kg)
K9P3~10BU	1,44
K9P12,5~20BU	1,55
K9P25~60BU	1,69
K9P75~200BU	1,74

K9RP90F□-T5 + K9P□BUF



DIMENSION TABLE

PART No	L	Application Model	Mounting BOLT
01	85	K9P3~200BUF	M6 P1,0 X 20
02	40	K9P10BX	M6 P1,0 X 65

WEIGHT

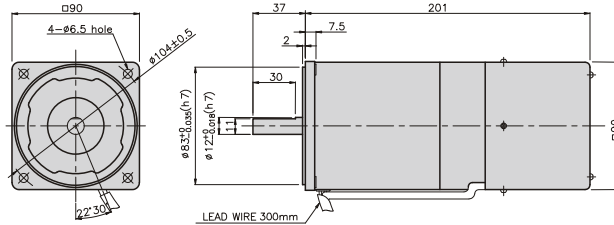
PART	WEIGHT(kg)
K9P3~10BUF	1,50
K9P12,5~20BUF	1,62
K9P25~60BUF	1,76
K9P75~200BUF	1,82

SPEED CONTROL & BRAKE MOTOR

60W

□90mm

K9RS60F□-D



SPECIFICATIONS

60W 30 minutes rating, four poles

Model	Voltage (V)	Frequency (Hz)	Speed Range (rpm)	Permissible Torque		Start T. (N*m/Kgf*cm)	Current (A)	Condenser (μF)	Friction T. (N*m/Kgf*cm)
				1200rpm (N*m/Kgf*cm)	90rpm (N*m/Kgf*cm)				
K9R□60FJ-D	100	50	90 ~ 1400	0,5/5	0,17/1,7	0,3/3	2,5	25	1/10
		60	90 ~ 1700						
K9R□60FU-D	110	60	90 ~ 1700	0,5/5	0,17/1,7	0,295/2,95	2,1	17	1/10
	115						2,2		
K9R□60FL-D	200	50	90 ~ 1400	0,5/5	0,15/1,5	0,26/2,6	0,72	6	1/10
		60	90 ~ 1700	0,48/4,8	0,17/1,7	0,23/2,3	0,76		
K9R□60FC-D	220	50	90 ~ 1400	0,5/5	0,15/1,5	0,3/3	0,95	5	1/10
		60	90 ~ 1700	0,48/4,8	0,17/1,7	0,26/2,6	0,94		
	230	50	90 ~ 1400	0,5/5	0,15/1,5	0,3/3	1		
		60	90 ~ 1700	0,48/4,8	0,17/1,7	0,26/2,6	1,2		
K9R□60FD-D	240	50	90 ~ 1400	0,5/5	0,15/1,5	0,32/3,2	1,2	5	1/10

* □ : SHAFT SHAPE (S : STRAIGHT, G : PINION)

RATED TORQUE OF GEARHEAD

● Single-phase 100V/115V

unit = above : N · m / below : kgfcm

Model	Ratio	3	3,6	5	6	7,5	9	10	12,5	15	18	20	25	30	36	40	50	60	75	90	100	120	150	180	200	
Motor/Gearhead	Speed(rpm)																									
K9R□60F□-D K9P□B, BF	1200	1,22 12,2	1,46 14,6	2,03 20,3	2,43 24,3	3,04 30,4	3,65 36,5	4,05 40,5	4,56 45,6	5,47 54,7	6,56 65,6	7,29 72,9	8,20 82,0	9,84 98,4	11,81 118,1	13,12 131,2	16,40 164,0	19,68 196,8	20 200	20 200	20 200	20 200	20 200	20 200	20 200	20 200
	90	0,41 4,1	0,50 5,0	0,69 6,9	0,83 8,3	1,03 10,3	1,24 12,4	1,38 13,8	1,55 15,5	1,86 18,6	2,23 22,3	2,48 24,8	2,79 27,9	3,35 33,5	4,02 40,2	4,46 44,6	5,58 55,8	6,69 66,9	7,53 75,3	9,03 90,3	10,04 100,4	12,05 120,5	15,06 150,6	18,07 180,7	20 200	

● Single-phase 200V/240V

unit = above : N · m / below : kgfcm

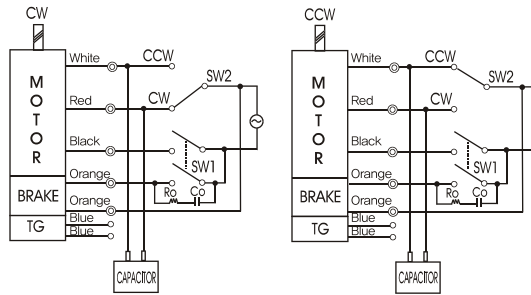
Model	Ratio	3	3,6	5	6	7,5	9	10	12,5	15	18	20	25	30	36	40	50	60	75	90	100	120	150	180	200	
Motor/Gearhead	Speed(rpm)																									
K9R□60F□-D K9P□B, BF	1200	200V/220V/230V/240V/50Hz	1,22 12,2	1,46 14,6	2,03 20,3	2,43 24,3	3,04 30,4	3,65 36,5	4,05 40,5	4,56 45,6	5,47 54,7	6,56 65,6	7,29 72,9	8,20 82,0	9,84 98,4	11,81 118,1	13,12 131,2	16,40 164,0	19,68 196,8	20 200	20 200	20 200	20 200	20 200	20 200	20 200
		200V/220V/230V/60Hz	1,17 11,7	1,40 14,0	1,94 19,4	2,33 23,3	2,92 29,2	3,50 35,0	3,89 38,9	4,37 43,7	5,25 52,5	6,30 63,0	7,00 70,0	7,87 78,7	9,45 94,5	11,34 113,4	12,60 126,0	15,75 157,5	18,90 189,0	20 200	20 200	20 200	20 200	20 200	20 200	20 200
	90	200V/220V/230V/240V/50Hz	0,36 3,6	0,44 4,4	0,61 6,1	0,73 7,3	0,91 9,1	1,09 10,9	1,22 12,2	1,37 13,7	1,64 16,4	1,97 19,7	2,19 21,9	2,46 24,6	2,95 29,5	3,54 35,4	3,94 39,4	4,92 49,2	5,90 59,0	6,64 66,4	7,97 79,7	8,86 88,6	10,63 106,3	13,29 132,9	15,94 159,4	17,71 177,1
		200V/220V/230V/60Hz	0,41 4,1	0,50 5,0	0,69 6,9	0,83 8,3	1,03 10,3	1,24 12,4	1,38 13,8	1,55 15,5	1,86 18,6	2,23 22,3	2,48 24,8	2,79 27,9	3,35 33,5	4,02 40,2	4,46 44,6	5,58 55,8	6,69 66,9	7,53 75,3	9,03 90,3	10,04 100,4	12,05 120,5	15,06 150,6	18,07 180,7	20 200

- * Gearhead and decimal gearhead are sold separately.
- * The code in □ of gearhead model is for gear ratio.
- * ■ color indicates that the output shaft of the geared motor rotates in the same direction as the output shaft of the motor. Others indicate rotation in the opposite direction.
- * If you are to have less ratio than the ratio in the table, you can install the decimal gearhead, which has one tenth of the ratio, between the gearhead and the motor. In this case, the permissible torque is 20N · m/200kgfcm.
- * RPM is based on motor's synchronous rpm (50HZ:1500rpm, 60HZ:1800rpm) and calculated by dividing gear ratio. Actual rpm is 2~20% less than indicating rpm according to load size.

GEARHEADS

CONNECTION DIAGRAMS

Connect Cr circuit for absorbing surge voltage as connection diagram to protect contact point,
 $R_o = 5 - 200\Omega$
 $C_o = 0,1 \sim 0,2\mu F$ 200WV(400WV)



※The direction of motor rotation is as viewed from the front shaft end of the motor

DIMENSIONS

K9P□B

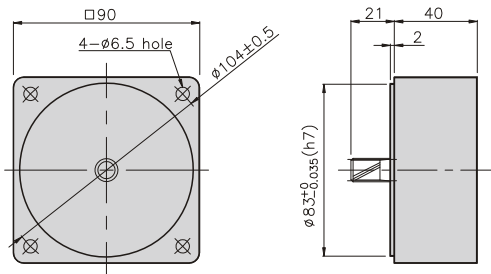


K9P□BF



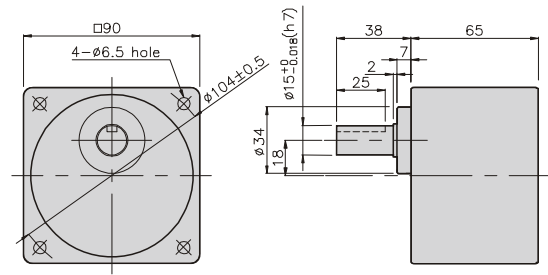
DECIMAL GEARHEAD

K9P10BX



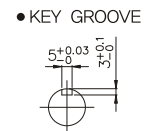
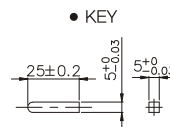
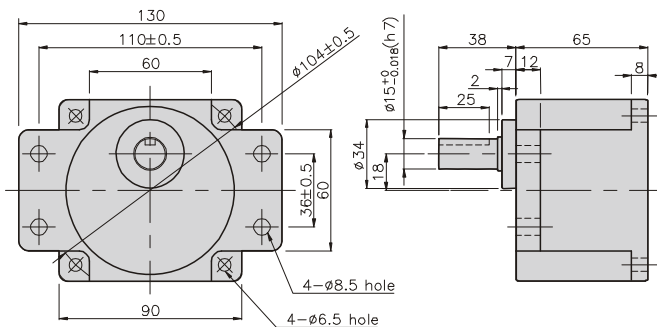
GEARHEAD

K9P□B



GEARHEAD

K9P□BF



GEARHEADS

DIMENSIONS

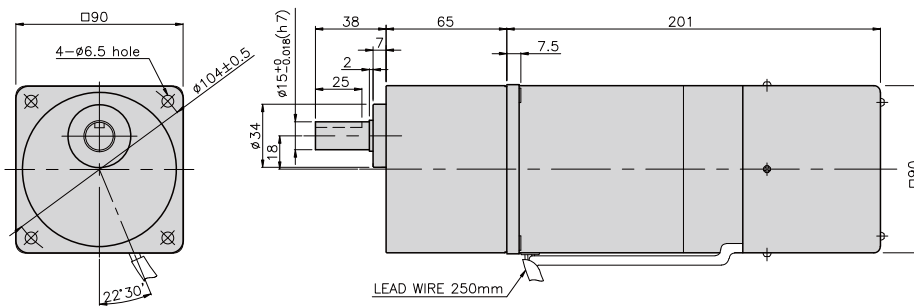
K9RP60F□-D + K9P□B



K9RP60F□-D + K9P□BF



K9RP60F□-D + K9P□B



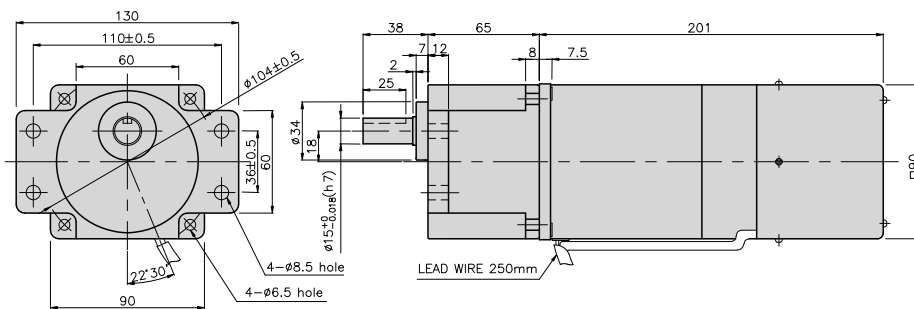
DIMENSION TABLE

PART No.	L	Application Model	Mounting BOLT
01	65	K9P3~200B	M6 P1,0 X 95
02	40	K9P10BX	M6 P1,0 X 140

WEIGHT

PART	WEIGHT(kg)	
MOTOR	3,58	
DECIMAL GEAR HEAD	0,62	
GEAR HEAD	K9P3~10B	1,22
	K9P12,5~20B	1,32
	K9P25~60B	1,42
	K9P75~200B	1,45

K9RP60F□-D + K9P□BF



DIMENSION TABLE

PART No.	L	Application Model	Mounting BOLT
01	65	K9P3~200BF	M6 P1,0 X 25
02	40	K9P10BX	M6 P1,0 X 65

WEIGHT

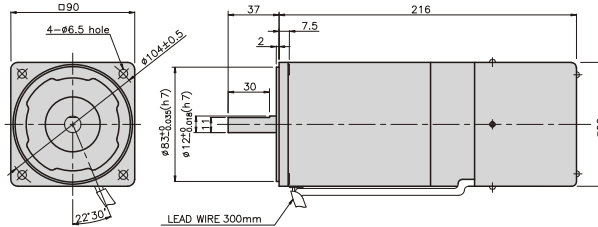
PART	WEIGHT(kg)	
MOTOR	3,58	
DECIMAL GEAR HEAD	0,62	
GEAR HEAD	K9P3~10BF	1,22
	K9P12,5~18BF	1,30
	K9P20~60BF	1,42
	K9P75~200BF	1,44

SPEED CONTROL & BRAKE MOTOR

90W

□90mm

K9RS90F□-D



SPECIFICATIONS

90W 30 minutes rating, four poles

Model	Voltage (V)	Frequency (Hz)	Speed Range (rpm)	Permissible Torque		Start T. (N*m/ Kgf*cm)	Current (A)	Condenser (μF)	Friction T. (N*m/ Kgf*cm)
				1200rpm (N*m/ Kgf*cm)	90rpm (N*m/ Kgf*cm)				
K9R□90FJ-D	100	50	90 ~ 1400	0.75/7.5	0.25/2.5	0.4/4	3.6	35	1/10
			90 ~ 1700						
K9R□90FU-D	110	60	90 ~ 1700	0.75/7.5	0.25/2.5	0.38/3.8	3	25	1/10
	115						3.2		
K9R□90FL-D	200	50	90 ~ 1400	0.75/7.5	0.25/2.5	0.4/4	1.4	8	1/10
			90 ~ 1700		0.28/2.8		1.5		
K9R□90FC-D	220	50	90 ~ 1400	0.75/7.5	0.25/2.5	0.4/4	1.2	7	1/10
			90 ~ 1700		0.28/2.8		1.4		
	230	50	90 ~ 1400		0.25/2.5	0.43/4.3	1.2		
			90 ~ 1700		0.28/2.8		1.4		
K9R□90FD-D	240	50	90 ~ 1400	0.75/7.5	0.25/2.5	0.4/4	1.3	6	1/10

* □ : SHAFT SHAPE (S : STRAIGHT, G : PINION)

RATED TORQUE OF GEARHEAD

● Single-phase 100V/115V

unit = above : N · m / below : kgfcm

Model	Ratio	Speed (rpm)																								
		3	3.6	5	6	7.5	9	10	12.5	15	18	20	25	30	36	40	50	60	75	90	100	120	150	180	200	
K9R□90F□-D K9P□B, BF	1200	1.82 18.2	2.19 21.9	3.04 30.4	3.65 36.5	4.56 45.6	5.47 54.7	6.08 60.8	6.83 68.3	8.20 82.0	9.84 98.4	10.94 109.4	12.30 123.0	14.76 147.6	17.71 177.1	19.68 196.8	20 200	20 200	20 200	20 200	20 200	20 200	20 200	20 200	20 200	20 200
	90	0.61 6.1	0.73 7.3	1.01 10.1	1.22 12.2	1.52 15.2	1.82 18.2	2.03 20.3	2.28 22.8	2.73 27.3	3.28 32.8	3.65 36.5	4.10 41.0	4.92 49.2	5.90 59.0	6.56 65.6	8.20 82.0	9.84 98.4	11.07 110.7	13.29 132.9	14.76 147.6	17.71 177.1	20 200	20 200	20 200	20 200

● Single-phase 200V/240V

unit = above : N · m / below : kgfcm

Model	Ratio	Speed (rpm)																									
		3	3.6	5	6	7.5	9	10	12.5	15	18	20	25	30	36	40	50	60	75	90	100	120	150	180	200		
K9R□90F□-D K9P□B, BF	1200	1.82 18.2	2.19 21.9	3.04 30.4	3.65 36.5	4.56 45.6	5.47 54.7	6.08 60.8	6.83 68.3	8.20 82.0	9.84 98.4	10.94 109.4	12.30 123.0	14.76 147.6	17.71 177.1	19.68 196.8	20 200	20 200	20 200	20 200	20 200	20 200	20 200	20 200	20 200	20 200	
	90	200V/220V/230V 240V/50Hz	0.61 6.1	0.73 7.3	1.01 10.1	1.22 12.2	1.52 15.2	1.82 18.2	2.03 20.3	2.28 22.8	2.73 27.3	3.28 32.8	3.65 36.5	4.10 41.0	4.92 49.2	5.90 59.0	6.56 65.6	8.20 82.0	9.84 98.4	11.07 110.7	13.29 132.9	14.76 147.6	17.71 177.1	20 200	20 200	20 200	20 200
		200V/220V 230V/50Hz	0.68 6.8	0.82 8.2	1.13 11.3	1.36 13.6	1.70 17.0	2.04 20.4	2.27 22.7	2.55 25.5	3.06 30.6	3.67 36.7	4.08 40.8	4.59 45.9	5.51 55.1	6.61 66.1	7.35 73.5	9.19 91.9	11.02 110.2	12.40 124.0	14.88 148.8	16.53 165.3	19.84 198.4	20 200	20 200	20 200	20 200

- * Gearhead and decimal gearhead are sold separately.
- * The code in □ of gearhead model is for gear ratio.
- * ■ color indicates that the output shaft of the geared motor rotates in the same direction as the output shaft of the motor. Others indicate rotation in the opposite direction.
- * If you are to have less ratio than the ratio in the table, you can install the decimal gearhead, which has one tenth of the ratio, between the gearhead and the motor. In this case, the permissible torque is 20N · m/200kgfcm.
- * RPM is based on motor's synchronous rpm (50HZ:1500rpm, 60HZ:1800rpm) and calculated by dividing gear ratio. Actual rpm is 2~20% less than indicating rpm according to load size.

GEARHEADS

RATED TORQUE OF GEARHEAD

● Single-phase 100V/115V

unit = above : N·m / below : kgfcm

Model Motor/ Gearhead	Ratio Speed(rpm)	3	3,6	5	6	7,5	9	10	12,5	15	18	20	25	30	36	40	50	60	75	90	100	120	150	180	200
		K9R□90F□-D K9P□BU, BUF	1200	1,82 18,2	2,19 21,9	3,04 30,4	3,65 36,5	4,56 45,6	5,47 54,7	6,08 60,8	6,83 68,3	8,20 82,0	9,84 98,4	10,94 109,4	12,30 123,0	14,76 147,6	17,71 177,1	19,68 196,8	24,60 246	29,52 295	30 300	30 300	30 300	30 300	30 300
90	0,61 6,1		0,73 7,3	1,01 10,1	1,22 12,2	1,52 15,2	1,82 18,2	2,03 20,3	2,28 22,8	2,73 27,3	3,28 32,8	3,65 36,5	4,10 41,0	4,92 49,2	5,90 59,0	6,56 65,6	8,20 82,0	9,84 98,4	11,07 110,7	13,29 132,9	14,76 147,6	17,71 177,1	22,14 221,4	26,57 265,7	29,52 295,2

● Single-phase 200V/240V

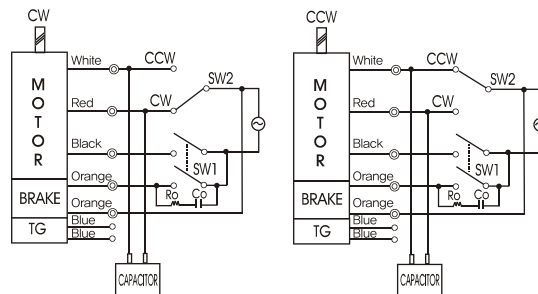
unit = above : N·m / below : kgfcm

Model Motor/ Gearhead	Ratio Speed(rpm)	3	3,6	5	6	7,5	9	10	12,5	15	18	20	25	30	36	40	50	60	75	90	100	120	150	180	200	
		K9R□60F□-D K9P□BU, BUF	1200	1,82 18,2	2,19 21,9	3,04 30,4	3,65 36,5	4,56 45,6	5,47 54,7	6,08 60,8	6,83 68,3	8,20 82,0	9,84 98,4	10,94 109,4	12,30 123,0	14,76 147,6	17,71 177,1	19,68 196,8	24,60 246	29,52 295	30 300	30 300	30 300	30 300	30 300	30 300
90	200V/220V/230V 240V/50Hz		0,61 6,1	0,73 7,3	1,01 10,1	1,22 12,2	1,52 15,2	1,82 18,2	2,03 20,3	2,28 22,8	2,73 27,3	3,28 32,8	3,65 36,5	4,10 41,0	4,92 49,2	5,90 59,0	6,56 65,6	8,20 82,0	9,84 98,4	11,07 110,7	13,29 132,9	14,76 147,6	17,71 177,1	22,14 221,4	26,57 265,7	29,52 295,2
	200V/220V 230V/60Hz		0,68 6,8	0,82 8,2	1,13 11,3	1,36 13,6	1,70 17,0	2,04 20,4	2,27 22,7	2,55 25,5	3,06 30,6	3,67 36,7	4,08 40,8	4,59 45,9	5,51 55,1	6,61 66,1	7,35 73,5	9,19 91,9	11,02 110,2	12,40 124,0	14,88 148,8	16,53 165,3	19,84 198,4	24,80 248,0	29,76 297,6	30 300

- * Gearhead and decimal gearhead are sold separately.
- * The code in □ of gearhead model is for gear ratio.
- * ■ color indicates that the output shaft of the geared motor rotates in the same direction as the output shaft of the motor. Others indicate rotation in the opposite direction.
- * If you are to have less ratio than the ratio in the table, you can install the decimal gearhead, which has one tenth of the ratio, between the gearhead and the motor. In this case, the permissible torque is $30N \cdot m/300kgfcm$.
- * RPM is based on motor's synchronous rpm (50HZ:1500rpm, 60HZ:1800rpm) and calculated by dividing gear ratio. Actual rpm is 2~20% less than indicating rpm according to load size.

CONNECTION DIAGRAMS

Connect Cr circuit for absorbing surge voltage as connection diagram to protect contact point,
 $R_o = 5 - 200\Omega$
 $C_o = 0,1 \sim 0,2\mu F \ 200WV(400WV)$



※The direction of motor rotation is as viewed from the front shaft end of the motor

GEARHEADS

DIMENSIONS

K9P□B



K9P□BF, BUF

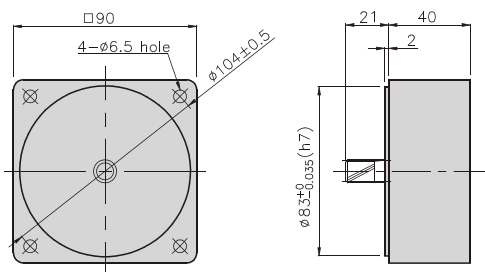


K9P□BU



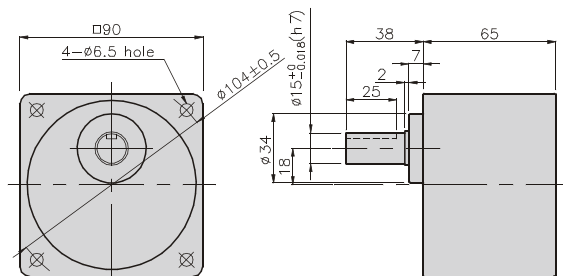
DECIMAL GEARHEAD

K9P10BX



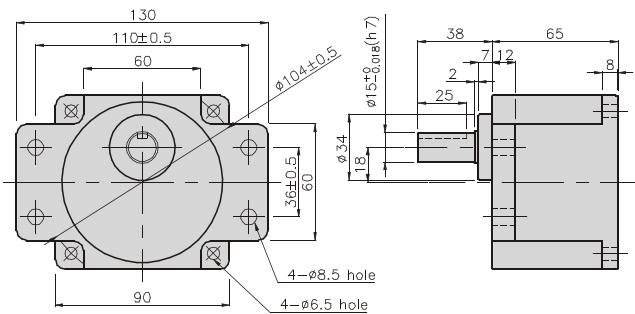
GEARHEAD

K9P□B



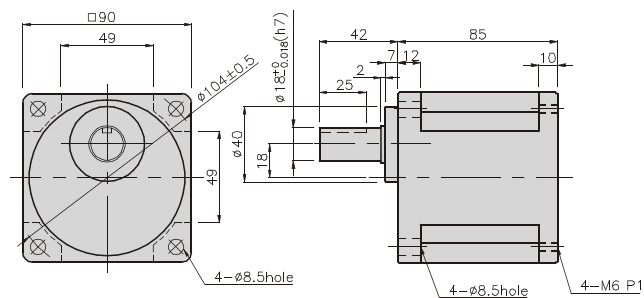
GEARHEAD

K9P□BF



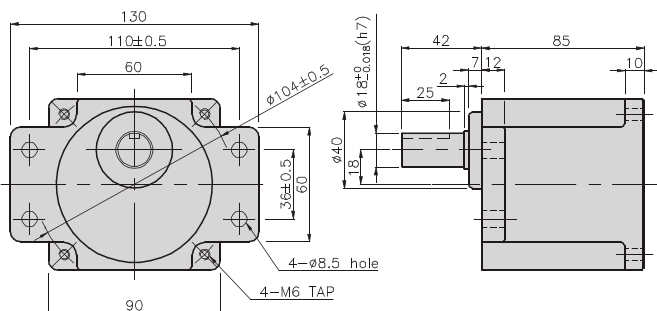
GEARHEAD

K9P□BU

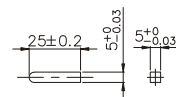


GEARHEAD

K9P□BUF



● KEY



● KEY GROOVE



GEARHEADS

DIMENSIONS

K9RP90F□-D + K9P□B



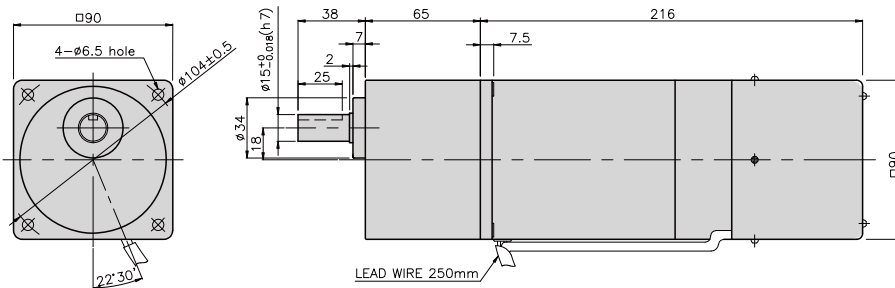
K9RP90F□-D + K9P□BF, BUF



K9RP90F□-D + K9P□BU



K9RP90F□-D + K9P□B



WEIGHT

PART	WEIGHT(kg)
MOTOR	4,06
DECIMAL GEAR HEAD	0,62

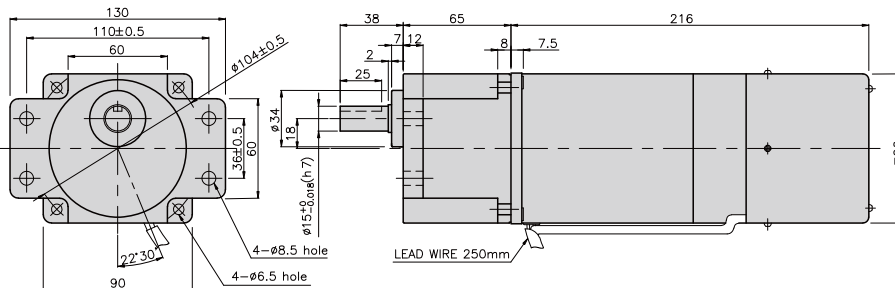
DIMENSION TABLE

PART No.	L	Application Model	Mounting BOLT
01	65	K9P3~200B	M6 P1,0 X 95
02	40	K9P10BX	M6 P1,0 X 140

WEIGHT

PART	WEIGHT(kg)
K9P3~10B	1,22
K9P12,5~20B	1,32
K9P25~60B	1,42
K9P75~200B	1,45

K9RP90F□-D + K9P□BF



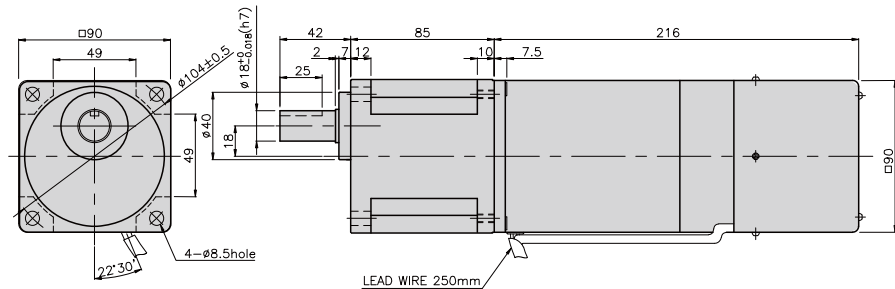
DIMENSION TABLE

PART No.	L	Application Model	Mounting BOLT
01	65	K9P3~200BF	M6 P1,0 X 25
02	40	K9P10BX	M6 P1,0 X 65

WEIGHT

PART	WEIGHT(kg)
K9P3~10BF	1,22
K9P12,5~20BF	1,30
K9P25~60BF	1,42
K9P75~200BF	1,44

K9RP90F□-D + K9P□BU



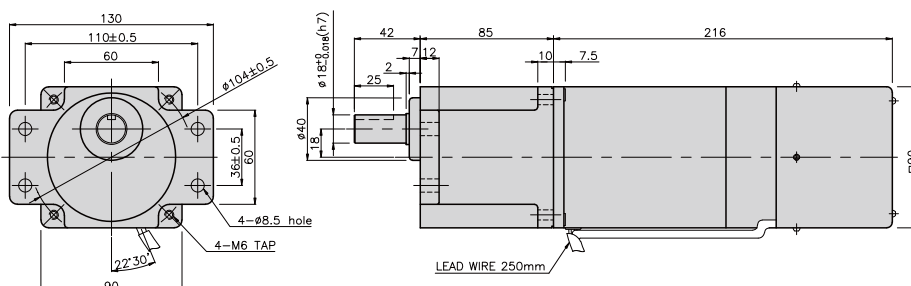
DIMENSION TABLE

PART No.	L	Application Model	Mounting BOLT
01	85	K9P3~200BU	M6 P1,0 X 20
02	40	K9P10BX	M6 P1,0 X 60

WEIGHT

PART	WEIGHT(kg)
K9P3~10BU	1,44
K9P12,5~20BU	1,55
K9P25~60BU	1,69
K9P75~200BU	1,74

K9RP90F□-D + K9P□BUF



DIMENSION TABLE

PART No.	L	Application Model	Mounting BOLT
01	85	K9P3~200BUF	M6 P1,0 X 20
02	40	K9P10BX	M6 P1,0 X 65

WEIGHT

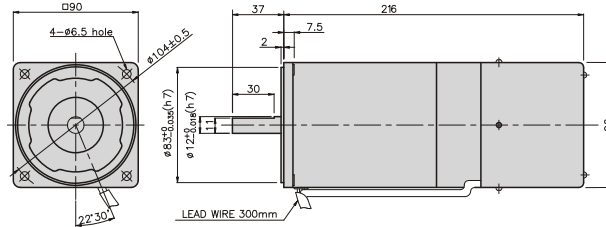
PART	WEIGHT(kg)
K9P3~10BUF	1,50
K9P12,5~20BUF	1,62
K9P25~60BUF	1,76
K9P75~200BUF	1,82

SPEED CONTROL & BRAKE MOTOR

120W

□90mm

K9RS120F□-D



SPECIFICATIONS

120W 30 minutes rating, four poles

Model	Voltage (V)	Frequency (Hz)	Speed Range (rpm)	Permissible Torque		Start T. (N*m/Kgf*cm)	Current (A)	Condenser (μF)	Friction T. (N*m/Kgf*cm)
				1200rpm (N*m/Kgf*cm)	90rpm (N*m/Kgf*cm)				
K9R□120FJ-D	100	50	90 ~ 1400	0,85/8,5	0,31/3,1	0,45/4,5	3,6	40	1/10
			90 ~ 1700						
K9R□120FU-D	110	60	90 ~ 1700	0,8/8	0,28/2,8	0,4/4	3	25	1/10
			115						
K9R□120FL-D	200	50	90 ~ 1400	0,8/8	0,27/2,7	0,37/3,7	1,4	8,5	1/10
			90 ~ 1700						
K9R□120FC-D	220	50	90 ~ 1400	0,8/8	0,27/2,7	0,37/3,7	1,2	6	1/10
			90 ~ 1700						
		60	90 ~ 1400	0,78/7,8	0,29/2,9	0,42/4,2	1,4	7	
			90 ~ 1700						
K9R□120FD-D	240	50	90 ~ 1400	0,8/8	0,27/2,7	0,37/3,7	1,3	6	1/10

* □ : SHAFT SHAPE (S : STRAIGHT, G : PINION)

RATED TORQUE OF GEARHEAD

● Single-phase 100V/115V

unit = above : N · m / below : kgfcm

Model	Ratio	Speed(rpm)																								
		3	3,6	5	6	7,5	9	10	12,5	15	18	20	25	30	36	40	50	60	75	90	100	120	150	180	200	
K9R□120F□-D K9P□B, BF	1200	100V/50Hz	2,07	2,48	3,44	4,13	5,16	6,20	6,89	7,75	9,29	11,15	12,39	13,94	16,73	20	20	20	20	20	20	20	20	20	20	20
		110V/60Hz	1,94	2,33	3,24	3,89	4,86	5,83	6,48	7,29	8,75	10,50	11,66	13,12	15,75	18,90	20	20	20	20	20	20	20	20	20	20
	90	100V/50Hz	0,75	0,90	1,26	1,51	1,88	2,26	2,51	2,82	3,39	4,07	4,52	5,08	6,10	7,32	8,14	10,17	12,20	13,73	16,47	18,31	20	20	20	20
		110V/60Hz	0,68	0,82	1,13	1,36	1,70	2,04	2,27	2,55	3,06	3,67	4,08	4,59	5,51	6,61	7,35	9,19	11,02	12,40	14,88	16,53	19,84	20	20	20

● Single-phase 200V/240V

unit = above : N · m / below : kgfcm

Model	Ratio	Speed(rpm)																								
		3	3,6	5	6	7,5	9	10	12,5	15	18	20	25	30	36	40	50	60	75	90	100	120	150	180	200	
K9R□120F□-D K9P□B, BF	1200	200V/220V/230V/240V/50Hz	1,94	2,33	3,24	3,89	4,86	5,83	6,48	7,29	8,75	10,50	11,66	13,12	15,75	18,90	20	20	20	20	20	20	20	20	20	20
		200V/220V/230V/60Hz	1,90	2,27	3,16	3,79	4,74	5,69	6,32	7,11	8,53	10,24	11,37	12,79	15,35	18,42	20	20	20	20	20	20	20	20	20	20
	90	200V/220V/230V/240V/50Hz	0,66	0,79	1,09	1,31	1,64	1,97	2,19	2,46	2,95	3,54	3,94	4,43	5,31	6,38	7,09	8,86	10,63	11,96	14,35	15,94	19,13	20	20	20
		200V/220V/230V/60Hz	0,70	0,85	1,17	1,41	1,76	2,11	2,35	2,64	3,17	3,81	4,23	4,76	5,71	6,85	7,61	9,51	11,42	12,84	15,41	17,12	20	20	20	20

- * Gearhead and decimal gearhead are sold separately.
- * The code in □ of gearhead model is for gear ratio.
- * ■ color indicates that the output shaft of the geared motor rotates in the same direction as the output shaft of the motor. Others indicate rotation in the opposite direction.
- * If you are to have less ratio than the ratio in the table, you can install the decimal gearhead, which has one tenth of the ratio, between the gearhead and the motor. In this case, the permissible torque is 20N · m/200kgfcm.
- * RPM is based on motor's synchronous rpm (50HZ:1500rpm, 60HZ:1800rpm) and calculated by dividing gear ratio. Actual rpm is 2~20% less than indicating rpm according to load size.

GEARHEADS

RATED TORQUE OF GEARHEAD

● Single-phase 100V/115V

unit = above : N · m / below : kgfcm

Model Motor/ Gearhead	Ratio Speed(rpm)	3	3,6	5	6	7,5	9	10	12,5	15	18	20	25	30	36	40	50	60	75	90	100	120	150	180	200	
		K9R□120F□-D K9P□BU, BUF	1200	100V 50/60Hz	2,07 20,7	2,48 24,8	3,44 34,4	4,13 41,3	5,16 51,6	6,20 62,0	6,89 68,9	7,75 77,5	9,29 92,9	11,15 111,5	12,39 123,9	13,94 139,4	16,73 167,3	20,08 201	22,31 223	27,88 279	30 300	30 300	30 300	30 300	30 300	30 300
100V/115V 60Hz	1,94 19,4			2,33 23,3	3,24 32,4	3,89 38,9	4,86 48,6	5,83 58,3	6,48 64,8	7,29 72,9	8,75 87,5	10,50 105,0	11,66 116,6	13,12 131,2	15,75 157,5	18,90 189,0	21,00 210	26,24 262	30 300	30 300	30 300	30 300	30 300	30 300	30 300	30 300
90	100V 50/60Hz		0,75 7,5	0,90 9,0	1,26 12,6	1,51 15,1	1,88 18,8	2,26 22,6	2,51 25,1	2,82 28,2	3,39 33,9	4,07 40,7	4,52 45,2	5,08 50,8	6,10 61,0	7,32 73,2	8,14 81,4	10,17 101,7	12,20 122,0	13,73 137,3	16,47 164,7	18,31 183,1	21,97 219,7	27,46 274,6	30 300	30 300
	110V/115V 60Hz		0,68 6,8	0,82 8,2	1,13 11,3	1,36 13,6	1,70 17,0	2,04 20,4	2,27 22,7	2,55 25,5	3,06 30,6	3,67 36,7	4,08 40,8	4,59 45,9	5,51 55,1	6,61 66,1	7,35 73,5	9,19 91,9	11,02 110,2	12,40 124,0	14,88 148,8	16,53 165,3	19,84 198,4	24,80 248,0	29,76 297,6	30 300

● Single-phase 200V/240V

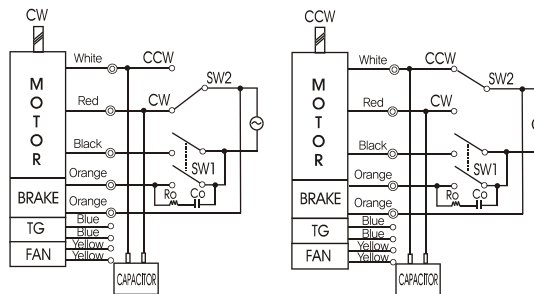
unit = above : N · m / below : kgfcm

Model Motor/ Gearhead	Ratio Speed(rpm)	3	3,6	5	6	7,5	9	10	12,5	15	18	20	25	30	36	40	50	60	75	90	100	120	150	180	200	
		K9R□120F□-D K9P□BU, BUF	1200	200V/220V/230V 240V 50Hz	1,94 19,4	2,33 23,3	3,24 32,4	3,89 38,9	4,86 48,6	5,83 58,3	6,48 64,8	7,29 72,9	8,75 87,5	10,50 105,0	11,66 116,6	13,12 131,2	15,75 157,5	18,90 189,0	21,00 210,0	26,24 262,4	30 300	30 300	30 300	30 300	30 300	30 300
200V/220V 230V 60Hz	1,90 19,0			2,27 22,7	3,16 31,6	3,79 37,9	4,74 47,4	5,69 56,9	6,32 63,2	7,11 71,1	8,53 85,3	10,24 102,4	11,37 113,7	12,79 127,9	15,35 153,5	18,42 184,2	20,47 204,7	25,59 255,9	30 300	30 300	30 300	30 300	30 300	30 300	30 300	30 300
90	200V/220V/230V 240V 50Hz		0,66 6,6	0,79 7,9	1,09 10,9	1,31 13,1	1,64 16,4	1,97 19,7	2,19 21,9	2,46 24,6	2,95 29,5	3,54 35,4	3,94 39,4	4,43 44,3	5,31 53,1	6,38 63,8	7,09 70,9	8,86 88,6	10,63 106,3	11,96 119,6	14,35 143,5	15,94 159,4	19,13 191,3	23,91 239,1	28,70 287,0	30 300
	200V/220V 230V 60Hz		0,70 7,0	0,85 8,5	1,17 11,7	1,41 14,1	1,76 17,6	2,11 21,1	2,35 23,5	2,64 26,4	3,17 31,7	3,81 38,1	4,23 42,3	4,76 47,6	5,71 57,1	6,85 68,5	7,61 76,1	9,51 95,1	11,42 114,2	12,84 128,4	15,41 154,1	17,12 171,2	20,55 205,5	25,69 256,9	30 300	30 300

- * Gearhead and decimal gearhead are sold separately.
- * The code in □ of gearhead model is for gear ratio.
- * ■ color indicates that the output shaft of the geared motor rotates in the same direction as the output shaft of the motor. Others indicate rotation in the opposite direction.
- * If you are to have less ratio than the ratio in the table, you can install the decimal gearhead, which has one tenth of the ratio, between the gearhead and the motor. In this case, the permissible torque is 30N · m/300kgfcm.
- * RPM is based on motor's synchronous rpm (50HZ:1500rpm, 60HZ:1800rpm) and calculated by dividing gear ratio. Actual rpm is 2~20% less than indicating rpm according to load size.

CONNECTION DIAGRAMS

Connect Cr circuit for absorbing surge voltage as connection diagram to protect contact point.
 $R_o = 5 - 200\Omega$
 $C_o = 0,1 \sim 0,2\mu F \text{ } 200WV(400WV)$



DIMENSION TABLE

PART No.	M	Application Model
01	236	50Hz
02	216	60Hz

※The direction of motor rotation is as viewed from the front shaft end of the motor

GEARHEADS

DIMENSIONS

K9P□B



K9P□BF, BUF

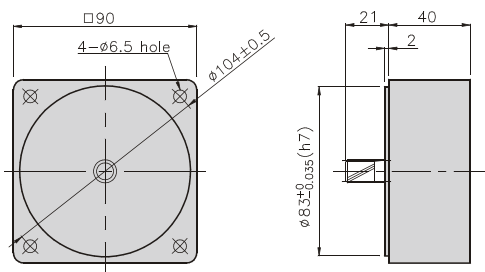


K9P□BU



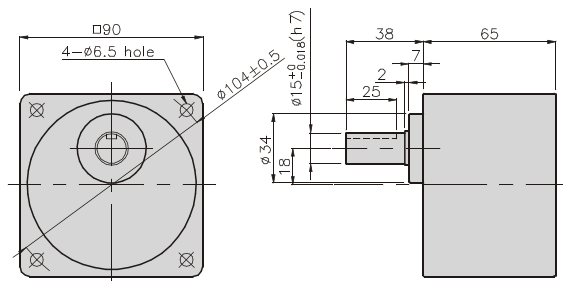
DECIMAL GEARHEAD

K9P10BX



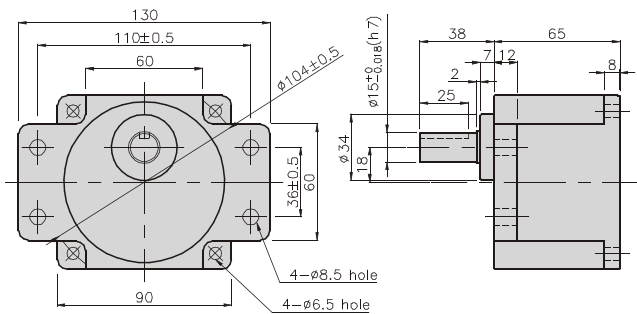
GEARHEAD

K9P□B



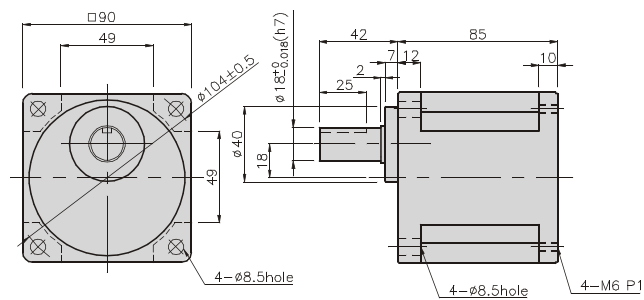
GEARHEAD

K9P□BF



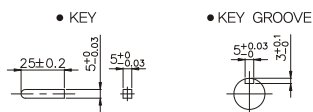
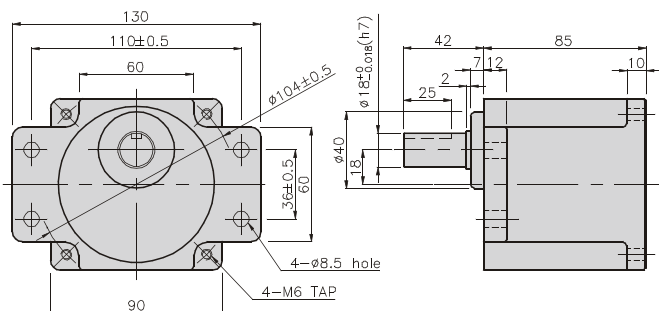
GEARHEAD

K9P□BU



GEARHEAD

K9P□BUF



GEARHEADS

DIMENSIONS

K9RP120F□-D + K9P□B



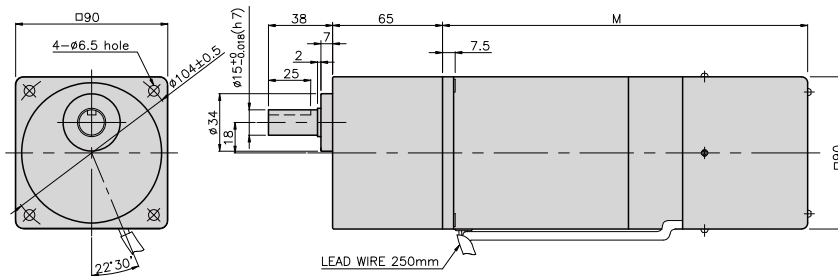
K9RP120F□-D + K9P□BF, BUF



K9RP120F□-D + K9P□BU



K9RP120F□-D + K9P□B



WEIGHT

PART	WEIGHT(kg)
MOTOR	3,54
DECIMAL GEAR HEAD	0,62

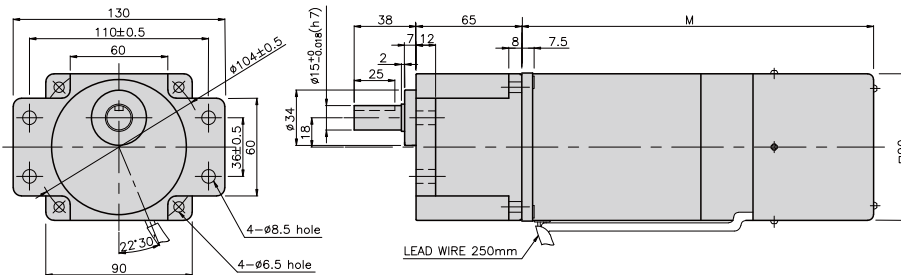
DIMENSION TABLE

PART No.	M	Application Model
01	155	50Hz
02	135	60Hz

DIMENSION TABLE

PART No.	L	Application Model	Mounting BOLT
01	65	K9P3~200B	M6 P1,0 X 95
02	40	K9P10BX	M6 P1,0 X 140

K9RP120F□-D + K9P□BF



WEIGHT

PART	WEIGHT(kg)
K9P3~10B	1,22
K9P12,5~20B	1,32
K9P25~60B	1,42
K9P75~200B	1,45

DIMENSION TABLE

PART No.	L	Application Model	Mounting BOLT
01	65	K9P3~200BF	M6 P1,0 X 25
02	40	K9P10BX	M6 P1,0 X 65

WEIGHT

PART	WEIGHT(kg)
K9P3~10BF	1,22
K9P12,5~20BF	1,30
K9P25~60BF	1,42
K9P75~200BF	1,44

DIMENSION TABLE

PART No.	L	Application Model	Mounting BOLT
01	85	K9P3~200BU	M6 P1,0 X 20
02	40	K9P10BX	M6 P1,0 X 60

WEIGHT

PART	WEIGHT(kg)
K9P3~10BU	1,44
K9P12,5~20BU	1,55
K9P25~60BU	1,69
K9P75~200BU	1,74

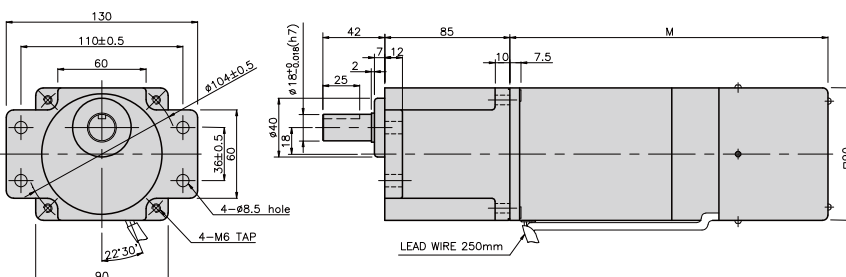
DIMENSION TABLE

PART No.	L	Application Model	Mounting BOLT
01	85	K9P3~200BUF	M6 P1,0 X 20
02	40	K9P10BX	M6 P1,0 X 65

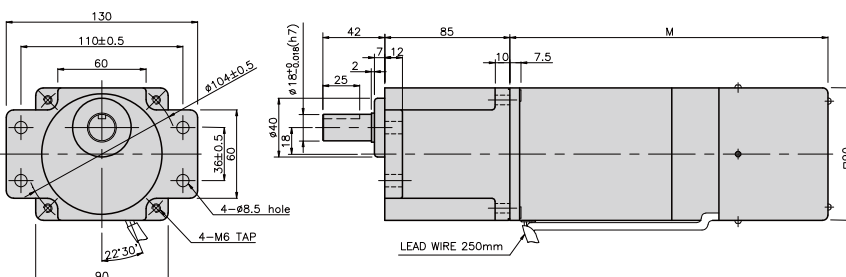
WEIGHT

PART	WEIGHT(kg)
K9P3~10BUF	1,50
K9P12,5~20BUF	1,62
K9P25~60BUF	1,76
K9P75~200BUF	1,82

K9RP120F□-D + K9P□BU



K9RP120F□-D + K9P□BUF

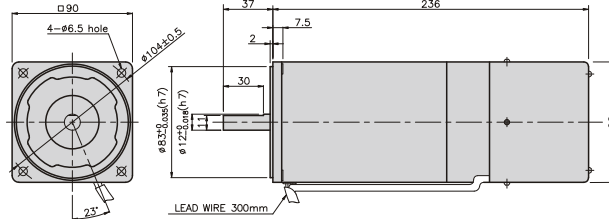


SPEED CONTROL & BRAKE MOTOR

180W

□90mm

K9RS180F□-D



SPECIFICATIONS

180W 30 minutes rating, four poles

Model	Voltage (V)	Frequency (Hz)	Speed Range (rpm)	Permissible Torque		Start T. (N*m/Kgf*cm)	Current (A)	Condenser (μF)	Friction T. (N*m/Kgf*cm)
				1200rpm (N*m/Kgf*cm)	90rpm (N*m/Kgf*cm)				
K9R□180FJ-D	100	50	90 ~ 1400	0,88/8,8	0,33/3,3	0,5/5	5	40	1/10
		60	90 ~ 1700						
K9R□180FU-D	110	60	90 ~ 1700	1,1/11	0,38/3,8	0,58/5,8	5	40	1/10
	115								
K9R□180FL-D	200	50	90 ~ 1400	0,88/8,8	0,3/3	0,45/4,5	2,2	12	1/10
		60	90 ~ 1700			0,38/3,8			
K9R□180FC-D	220	50	90 ~ 1400	0,88/8,8	0,3/3	0,42/4,2	2,2	8	1/10
		60	90 ~ 1700			0,38/3,8			
	230	50	90 ~ 1400	0,95/9,5	0,32/3,2	0,48/4,8	2,4		
		60	90 ~ 1700			0,45/4,5			
K9R□180FD-D	240	50	90 ~ 1400	0,95/9,5	0,32/3,2	0,55/5,5	2	8	1/10

* □ : SHAFT SHAPE (S : STRAIGHT, G : PINION)

RATED TORQUE OF GEARHEAD

● Single-phase 100V/115V

unit = above : N · m / below : kgfcm

Model	Ratio	Speed(rpm)																								
		3	3,6	5	6	7,5	9	10	12,5	15	18	20	25	30	36	40	50	60	75	90	100	120	150	180	200	
K9R□180F□-D K9P□BU, BUF	1200	100V/50/60HZ	2,14	2,57	3,56	4,28	5,35	6,42	7,13	8,02	9,62	11,55	12,83	14,43	17,32	20,79	23,09	28,87	30	30	30	30	30	30	30	30
		110V/115V/60HZ	2,67	3,21	4,46	5,35	6,68	8,02	8,91	10,02	12,03	14,43	16,04	18,04	21,65	25,98	28,87	30	30	30	30	30	30	30	30	30
	90	100V/50/60HZ	0,80	0,96	1,34	1,60	2,00	2,41	2,67	3,01	3,61	4,33	4,81	5,41	6,50	7,79	8,66	10,83	12,99	14,61	17,54	19,49	23,38	29,23	30	30
		110V/115V/60HZ	0,92	1,11	1,54	1,85	2,31	2,77	3,08	3,46	4,16	4,99	5,54	6,23	7,48	8,98	9,97	12,47	14,96	16,83	20,19	22,44	26,93	30	30	30

● Single-phase 200V/240V

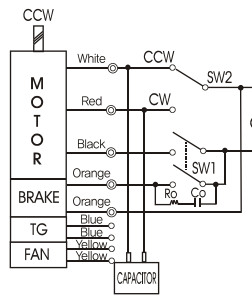
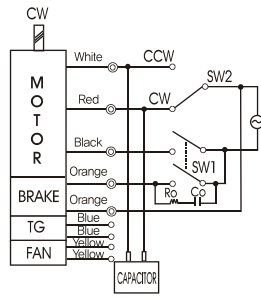
unit = above : N · m / below : kgfcm

Model	Ratio	Speed(rpm)																								
		3	3,6	5	6	7,5	9	10	12,5	15	18	20	25	30	36	40	50	60	75	90	100	120	150	180	200	
K9R□180F□-D K9P□BU, BUF	1200	200V/220V/50/60HZ	2,14	2,57	3,56	4,28	5,35	6,42	7,13	8,02	9,62	11,55	12,83	14,43	17,32	20,79	23,09	28,87	30	30	30	30	30	30	30	30
		230V/50/60HZ/240V/50HZ	2,31	2,77	3,85	4,62	5,77	6,93	7,70	8,66	10,39	12,47	13,85	15,58	18,70	22,44	24,93	30	30	30	30	30	30	30	30	30
	90	200V/220V/50/60HZ	0,73	0,87	1,22	1,46	1,82	2,19	2,43	2,73	3,28	3,94	4,37	4,92	5,90	7,09	7,87	9,84	11,81	13,29	15,94	17,71	21,26	26,57	30	30
		230V/50/60HZ/240V/50HZ	0,78	0,93	1,30	1,56	1,94	2,33	2,59	2,92	3,50	4,20	4,67	5,25	6,30	7,56	8,40	10,50	12,60	14,17	17,01	18,90	22,67	28,34	30	30

- * Gearhead and decimal gearhead are sold separately.
- * The code in □ of gearhead model is for gear ratio.
- * ■ color indicates that the output shaft of the geared motor rotates in the same direction as the output shaft of the motor. Others indicate rotation in the opposite direction.
- * If you are to have less ratio than the ratio in the table, you can install the decimal gearhead, which has one tenth of the ratio, between the gearhead and the motor. In this case, the permissible torque is 30N · m/300kgfcm.
- * RPM is based on motor's synchronous rpm (50HZ:1500rpm, 60HZ:1800rpm) and calculated by dividing gear ratio. Actual rpm is 2~20% less than indicating rpm according to load size.

GEARHEADS

CONNECTION DIAGRAMS



※The direction of motor rotation is as viewed from the front shaft end of the motor

DIMENSIONS

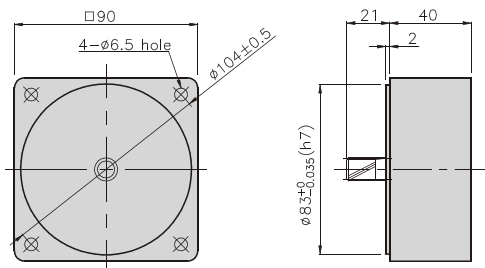
K9P□BU



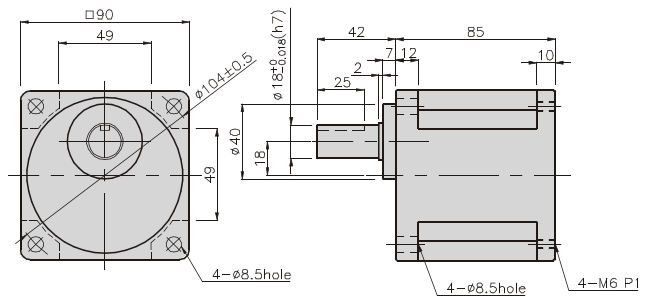
K9P□BUF



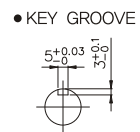
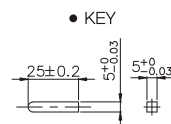
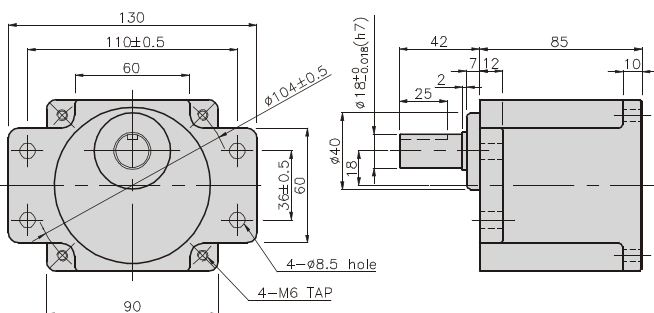
DECIMAL GEARHEAD
K9P10BX



GEARHEAD
K9P□BU



GEARHEAD
K9P□BUF



GEARHEADS

DIMENSIONS

K9RP180F□-D + K9P□BU



K9RP180F□-D + K9P□BUF



WEIGHT

PART	WEIGHT(kg)
MOTOR	4,70
DECIMAL GEAR HEAD	0,62

DIMENSION TABLE

PART No.	L	Application Model	Mounting BOLT
01	85	K9P3~200BU	M6 P1,0 X 20
02	40	K9P10BX	M6 P1,0 X 60

WEIGHT

PART	WEIGHT(kg)
K9P3~10BU	1,44
K9P12,5~20BU	1,55
K9P25~60BU	1,69
K9P75~200BU	1,74

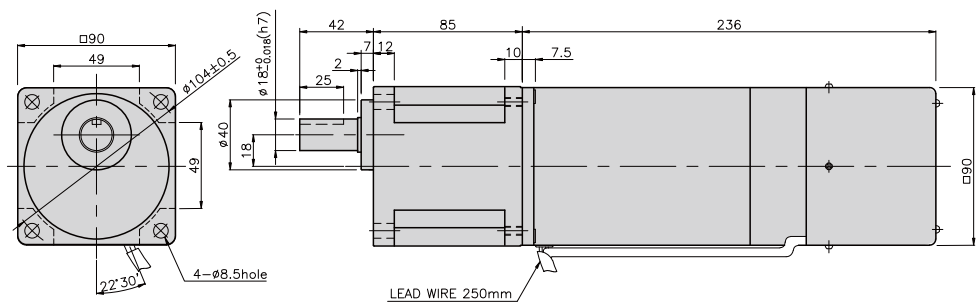
DIMENSION TABLE

PART No.	L	Application Model	Mounting BOLT
01	85	K9P3~200BUF	M6 P1,0 X 20
02	40	K9P10BX	M6 P1,0 X 65

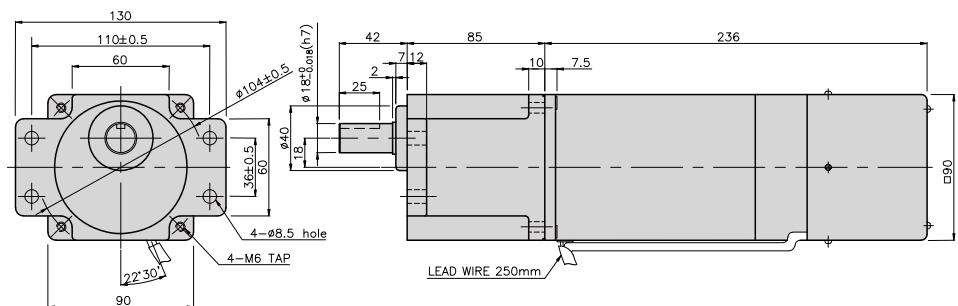
WEIGHT

PART	WEIGHT(kg)
K9P3~10BUF	1,50
K9P12,5~20BUF	1,62
K9P25~60BUF	1,76
K9P75~200BUF	1,82

K9RP180F□-D + K9P□BU



K9RP180F□-D + K9P□BUF

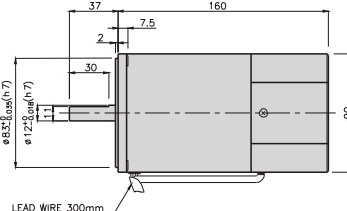
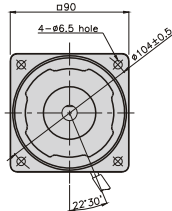


SPEED CONTROL MOTOR - SP SERIES

60W

INDUCTION MOTOR

K9IS60F□-SP



SPECIFICATIONS

60W continuous rating, four poles

Model	Voltage(V)	Frequency (Hz)	Speed Range (rpm)	Permissible Torque		Start T. (N*m/Kgf*cm)	Current (A)	Condenser (μF)	
				1200rpm (N*m/kgf*cm)	90rpm (N*m/kgf*cm)				
K9I□60FJ-SP	100	50	90 ~ 1400	0,45/4,5	0,15/1,5	0,24/2,4	2,3	20	
		60	90 ~ 1700			0,21/2,1			
K9I□60FU-SP	110	60	90 ~ 1700	0,45/4,5	0,15/1,5	0,285/2,85	2	16	
	115					2,1			
K9I□60FL-SP	200	50	90 ~ 1400	0,49/4,9	0,14/1,4	0,24/2,4	1,2	5	
		60	90 ~ 1700	0,45/4,5	0,16/1,6	0,21/2,1			
K9I□60FC-SP	220	50	90 ~ 1400	0,49/4,9	0,14/1,4	0,24/2,4	0,91	4	
		60	90 ~ 1700	0,45/4,5	0,16/1,6	0,21/2,1	0,9		
		230	50	90 ~ 1400	0,49/4,9	0,14/1,4	0,24/2,4		1
			60	90 ~ 1700	0,45/4,5	0,16/1,6	0,24/2,4		
K9I□60FD-SP	240	50	90 ~ 1400	0,49/4,9	0,14/1,4	0,28/2,8	1,1	4	

* □ : SHAFT SHAPE (S : STRAIGHT, G : PINION)

RATED TORQUE OF GEARHEAD

● Single-phase 100V/115V

unit = above : N·m / below : kgfcm

Model	Ratio	Speed(rpm)																								
		3	3,6	5	6	7,5	9	10	12,5	15	18	20	25	30	36	40	50	60	75	90	100	120	150	180	200	
K9I□60F□-SP K9P□B, BF	1200	1,09 10,9	1,31 13,1	1,82 18,2	2,19 21,9	2,73 27,3	3,28 32,8	3,65 36,5	4,10 41,0	4,92 49,2	5,90 59,0	6,56 65,6	7,38 73,8	8,86 88,6	10,63 106,3	11,81 118,1	14,76 147,6	17,71 177,1	20 200	20 200	20 200	20 200	20 200	20 200	20 200	20 200
	90	0,36 3,6	0,44 4,4	0,61 6,1	0,73 7,3	0,91 9,1	1,09 10,9	1,22 12,2	1,37 13,7	1,64 16,4	1,97 19,7	2,19 21,9	2,46 24,6	2,95 29,5	3,54 35,4	3,94 39,4	4,92 49,2	5,90 59,0	6,64 66,4	7,97 79,7	8,86 88,6	10,63 106,3	13,29 132,9	15,94 159,4	17,71 177,1	

● Single-phase 200V/240V

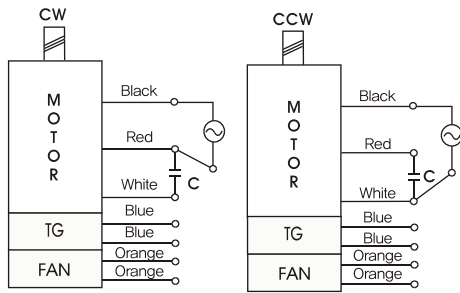
unit = above : N·m / below : kgfcm

Model	Ratio	Speed(rpm)																								
		3	3,6	5	6	7,5	9	10	12,5	15	18	20	25	30	36	40	50	60	75	90	100	120	150	180	200	
K9I□60F□-SP K9P□B, BF	1200	200V/220V/230V 240V/50Hz	1,19 11,9	1,43 14,3	1,98 19,8	2,38 23,8	2,98 29,8	3,57 35,7	3,97 39,7	4,47 44,7	5,36 53,6	6,43 64,3	7,14 71,4	8,04 80,4	9,64 96,4	11,57 115,7	12,86 128,6	16,07 160,7	19,29 192,9	20 200	20 200	20 200	20 200	20 200	20 200	20 200
		200V/220V 230V/60Hz	1,09 10,9	1,31 13,1	1,82 18,2	2,19 21,9	2,73 27,3	3,28 32,8	3,65 36,5	4,10 41,0	4,92 49,2	5,90 59,0	6,56 65,6	7,38 73,8	8,86 88,6	10,63 106,3	11,81 118,1	14,76 147,6	17,71 177,1	20 200	20 200	20 200	20 200	20 200	20 200	20 200
	90	200V/220V/230V 240V/50Hz	0,34 3,4	0,41 4,1	0,57 5,7	0,68 6,8	0,85 8,5	1,02 10,2	1,13 11,3	1,28 12,8	1,53 15,3	1,84 18,4	2,04 20,4	2,30 23,0	2,76 27,6	3,31 33,1	3,67 36,7	4,59 45,9	5,51 55,1	6,20 62,0	7,44 74,4	8,27 82,7	9,92 99,2	12,40 124,0	14,88 148,8	16,53 165,3
		200V/220V 230V/60Hz	0,39 3,9	0,47 4,7	0,65 6,5	0,78 7,8	0,97 9,7	1,17 11,7	1,30 13,0	1,46 14,6	1,75 17,5	2,10 21,0	2,33 23,3	2,62 26,2	3,15 31,5	3,78 37,8	4,20 42,0	5,25 52,5	6,30 63,0	7,09 70,9	8,50 85,0	9,45 94,5	11,34 113,4	14,17 141,7	17,01 170,1	18,90 189,0

- * Gearhead and decimal gearhead are sold separately.
- * The code in □ of gearhead model is for gear ratio.
- * ■ color indicates that the output shaft of the geared motor rotates in the same direction as the output shaft of the motor. Others indicate rotation in the opposite direction.
- * If you are to have less ratio than the ratio in the table, you can install the decimal gearhead, which has one tenth of the ratio, between the gearhead and the motor. In this case, the permissible torque is 20N·m/200kgfcm.
- * RPM is based on motor's synchronous rpm (50HZ:1500rpm, 60HZ:1800rpm) and calculated by dividing gear ratio. Actual rpm is 2~20% less than indicating rpm according to load size.

GEARHEADS

CONNECTION DIAGRAMS



※The direction of motor rotation is as viewed from the front shaft end of the motor

DIMENSIONS

K9P□B

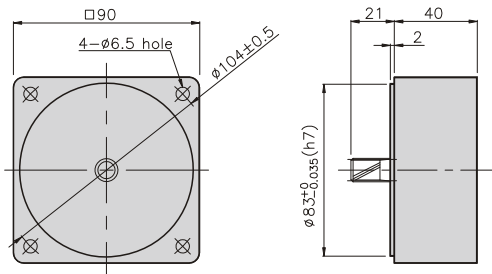


K9P□BF



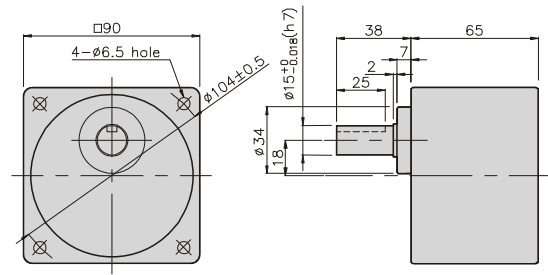
DECIMAL GEARHEAD

K9P10BX



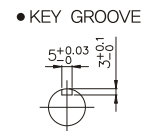
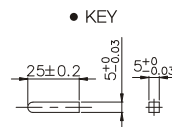
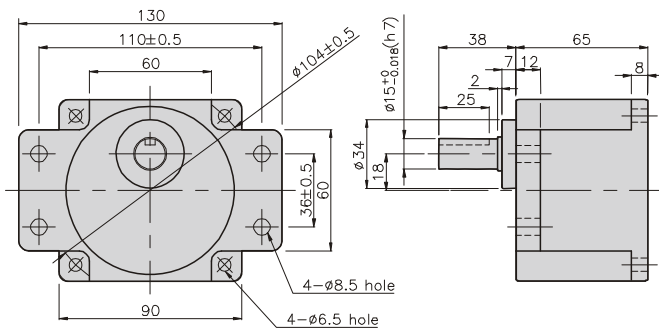
GEARHEAD

K9P□B



GEARHEAD

K9P□BF



GEARHEADS

DIMENSIONS

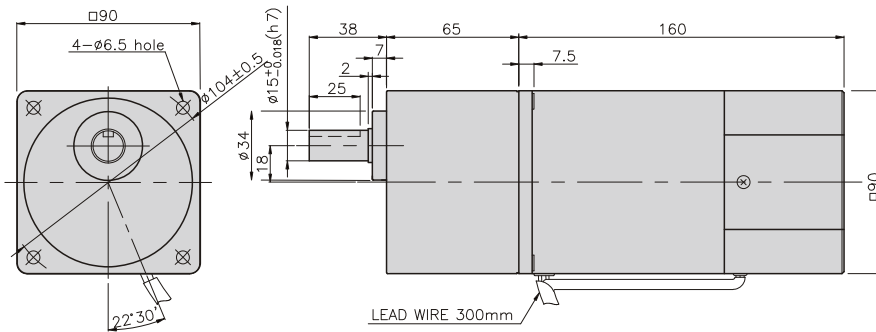
K9IP60F□-SP + K9P□B



K9IP60F□-SP + K9P□BF



K9IP60F□-SP + K9P□B



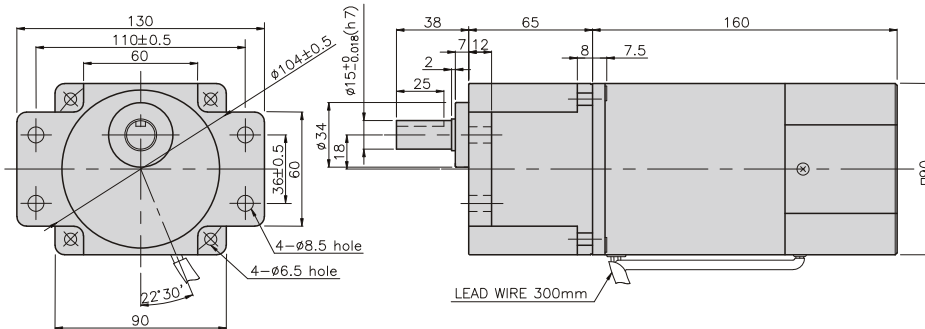
DIMENSION TABLE

PART No.	L	Application Model	Mounting BOLT
01	65	K9P3~200B	M6 P1,0 X 95
02	40	K9P10BX	M6 P1,0 X 140

WEIGHT

PART	WEIGHT(kg)	
MOTOR	3,06	
DECIMAL GEAR HEAD	0,62	
GEAR HEAD	K9P3~10B	1,22
	K9P12,5~20B	1,32
	K9P25~60B	1,42
	K9P75~200B	1,45

K9IP60F□-SP + K9P□BF



DIMENSION TABLE

PART No.	L	Application Model	Mounting BOLT
01	65	K9P3~200BF	M6 P1,0 X 25
02	40	K9P10BX	M6 P1,0 X 65

WEIGHT

PART	WEIGHT(kg)	
MOTOR	3,06	
DECIMAL GEAR HEAD	0,62	
GEAR HEAD	K9P3~10BF	1,22
	K9P12,5~18BF	1,30
	K9P20~60BF	1,42
	K9P75~200BF	1,44

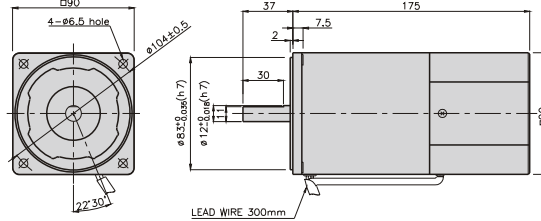
SPEED CONTROL MOTOR - SP SERIES

90W

□90mm

INDUCTION MOTOR

K9IS90F□-SP



SPECIFICATIONS

90W continuous rating, four poles

Model	Voltage (V)	Frequency (Hz)	Speed Range (rpm)	Permissible Torque		Start T. (N*m/Kgf*cm)	Current (A)	Condenser (μF)
				1200rpm (N*m/Kgf*cm)	90rpm (N*m/Kgf*cm)			
K9I□90FJ-SP	100	50	90 ~ 1400	0.7/7	0.23/2.3	0.36/3.6	3.2	30
		60	90 ~ 1700					
K9I□90FU-SP	110	60	90 ~ 1700	0.7/7	0.23/2.3	0.35/3.5	2.6	20
	115							
K9I□90FL-SP	200	50	90 ~ 1400	0.73/7.3	0.23/2.3	0.36/3.6	1.3	7
		60	90 ~ 1700					
K9I□90FC-SP	220	50	90 ~ 1400	0.73/7.3	0.23/2.3	0.36/3.6	1.1	6
		60	90 ~ 1700					
	230	50	90 ~ 1400		0.23/2.3	0.4/4	1.2	
		60	90 ~ 1700					
K9I□90FD-SP	240	50	90 ~ 1400	0.73/7.3	0.23/2.3	0.36/3.6	1.2	5

* □ : SHAFT SHAPE (S : STRAIGHT, G : PINION)

RATED TORQUE OF GEARHEAD

● Single-phase 100V/115V

unit = above : N · m / below : kgfcm

Model	Ratio	Speed(rpm)																								
		3	3.6	5	6	7.5	9	10	12.5	15	18	20	25	30	36	40	50	60	75	90	100	120	150	180	200	
K9I□90F□-SP K9P□B, BF	1200	1.70 17.0	2.04 20.4	2.84 28.4	3.40 34.0	4.25 42.5	5.10 51.0	5.67 56.7	6.38 63.8	7.65 76.5	9.19 91.9	10.21 102.1	11.48 114.8	13.78 137.8	16.53 165.3	18.37 183.7	20 200	20 200	20 200	20 200	20 200	20 200	20 200	20 200	20 200	20 200
	90	0.56 5.6	0.67 6.7	0.93 9.3	1.12 11.2	1.40 14.0	1.68 16.8	1.86 18.6	2.10 21.0	2.52 25.2	3.02 30.2	3.35 33.5	3.77 37.7	4.53 45.3	5.43 54.3	6.04 60.4	7.55 75.5	9.05 90.5	10.19 101.9	12.22 122.2	13.58 135.8	16.30 163.0	20 200	20 200	20 200	20 200

● Single-phase 200V/240V

unit = above : N · m / below : kgfcm

Model	Ratio	Speed(rpm)																									
		3	3.6	5	6	7.5	9	10	12.5	15	18	20	25	30	36	40	50	60	75	90	100	120	150	180	200		
K9I□90F□-SP K9P□B, BF	1200	1.77 17.7	2.13 21.3	2.96 29.6	3.55 35.5	4.43 44.3	5.32 53.2	5.91 59.1	6.65 66.5	7.98 79.8	9.58 95.8	10.64 106.4	11.97 119.7	14.37 143.7	17.24 172.4	19.16 191.6	20 200	20 200	20 200	20 200	20 200	20 200	20 200	20 200	20 200	20 200	
	90	200V/220V/230V 240V/50Hz	0.56 5.6	0.67 6.7	0.93 9.3	1.12 11.2	1.40 14.0	1.68 16.8	1.86 18.6	2.10 21.0	2.52 25.2	3.02 30.2	3.35 33.5	3.77 37.7	4.53 45.3	5.43 54.3	6.04 60.4	7.55 75.5	9.05 90.5	10.19 101.9	12.22 122.2	13.58 135.8	16.30 163.0	20 200	20 200	20 200	20 200
		200V/220V 230V/60Hz	0.63 6.3	0.76 7.6	1.05 10.5	1.26 12.6	1.58 15.8	1.90 19.0	2.11 21.1	2.37 23.7	2.84 28.4	3.41 34.1	3.79 37.9	4.26 42.6	5.12 51.2	6.14 61.4	6.82 68.2	8.53 85.3	10.24 102.4	11.51 115.1	13.82 138.2	15.35 153.5	18.42 184.2	20 200	20 200	20 200	20 200

- * Gearhead and decimal gearhead are sold separately.
- * The code in □ of gearhead model is for gear ratio.
- * color indicates that the output shaft of the geared motor rotates in the same direction as the output shaft of the motor. Others indicate rotation in the opposite direction.
- * If you are to have less ratio than the ratio in the table, you can install the decimal gearhead, which has one tenth of the ratio, between the gearhead and the motor. In this case, the permissible torque is 20N · m/200kgfcm.
- * RPM is based on motor's synchronous rpm (50HZ:1500rpm, 60HZ:1800rpm) and calculated by dividing gear ratio. Actual rpm is 2~20% less than indicating rpm according to load size.

GEARHEADS

RATED TORQUE OF GEARHEAD

● Single-phase 100V/115V

unit = above : N·m / below : kgfcm

Model	Ratio	Speed(rpm)																							
		3	3,6	5	6	7,5	9	10	12,5	15	18	20	25	30	36	40	50	60	75	90	100	120	150	180	200
K9□90F□-SP K9P□BU, BUF	1200	1,70 17,0	2,04 20,4	2,84 28,4	3,40 34,0	4,25 42,5	5,10 51,0	5,67 56,7	6,38 63,8	7,65 76,5	9,91 99,1	10,21 102,1	11,48 114,8	13,78 137,8	16,53 165,3	18,37 183,7	22,96 229,6	27,56 275,6	30 300	30 300	30 300	30 300	30 300	30 300	30 300
	90	0,56 5,6	0,67 6,7	0,93 9,3	1,12 11,2	1,40 14,0	1,68 16,8	1,86 18,6	2,10 21,0	2,52 25,2	3,02 30,2	3,35 33,5	3,77 37,7	4,53 45,3	5,43 54,3	6,04 60,4	7,55 75,5	9,05 90,5	10,19 101,9	12,22 122,2	13,58 135,8	16,30 163,0	20,37 203,7	24,45 244,5	27,16 271,6

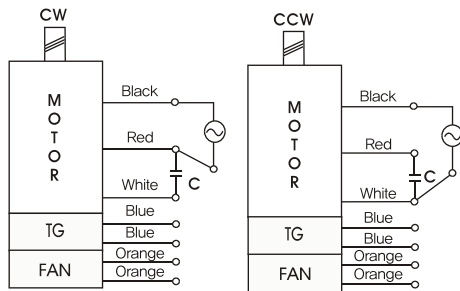
● Single-phase 200V/240V

unit = above : N·m / below : kgfcm

Model	Ratio	Speed(rpm)																								
		3	3,6	5	6	7,5	9	10	12,5	15	18	20	25	30	36	40	50	60	75	90	100	120	150	180	200	
K9□90F□-SP K9P□BU, BUF	1200	1,77 17,7	2,13 21,3	2,96 29,6	3,55 35,5	4,43 44,3	5,32 53,2	5,91 59,1	6,65 66,5	7,98 79,8	9,58 95,8	10,64 106,4	11,97 119,7	14,37 143,7	17,24 172,4	19,16 191,6	23,95 239,5	28,74 287,4	30 300	30 300	30 300	30 300	30 300	30 300	30 300	
	90	200V/220V/230V 240V/50Hz	0,56 5,6	0,67 6,7	0,93 9,3	1,12 11,2	1,40 14,0	1,68 16,8	1,86 18,6	2,10 21,0	2,52 25,2	3,02 30,2	3,35 33,5	3,77 37,7	4,53 45,3	5,43 54,3	6,04 60,4	7,55 75,5	9,05 90,5	10,19 101,9	12,22 122,2	13,58 135,8	16,30 163,0	20,37 203,7	24,45 244,5	27,16 271,6
		200V/220V 230V/60Hz	0,63 6,3	0,76 7,6	1,05 10,5	1,26 12,6	1,58 15,8	1,90 19,0	2,11 21,1	2,37 23,7	2,84 28,4	3,41 34,1	3,79 37,9	4,26 42,6	5,12 51,2	6,14 61,4	6,82 68,2	8,53 85,3	10,24 102,4	11,51 115,1	13,82 138,2	15,35 153,5	18,42 184,2	23,03 230,3	27,63 276,3	30 300

- * Gearhead and decimal gearhead are sold separately.
- * The code in □ of gearhead model is for gear ratio.
- * color indicates that the output shaft of the geared motor rotates in the same direction as the output shaft of the motor. Others indicate rotation in the opposite direction.
- * If you are to have less ratio than the ratio in the table, you can install the decimal gearhead, which has one tenth of the ratio, between the gearhead and the motor. In this case, the permissible torque is 30N·m/300kgfcm.
- * RPM is based on motor's synchronous rpm (50HZ:1500rpm, 60HZ:1800rpm) and calculated by dividing gear ratio. Actual rpm is 2~20% less than indicating rpm according to load size.

CONNECTION DIAGRAMS



※The direction of motor rotation is as viewed from the front shaft end of the motor

GEARHEADS

DIMENSIONS

K9P□B



K9P□BF, BUF

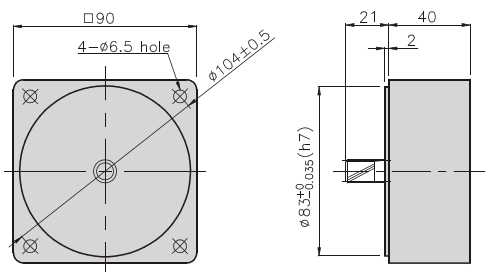


K9P□BU



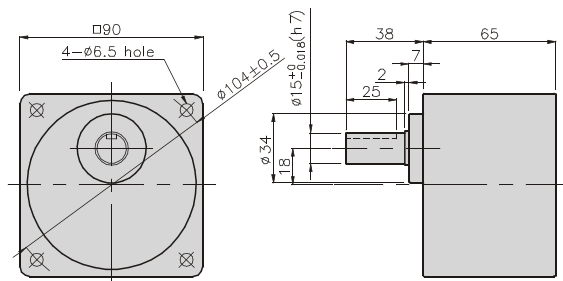
DECIMAL GEARHEAD

K9P10BX



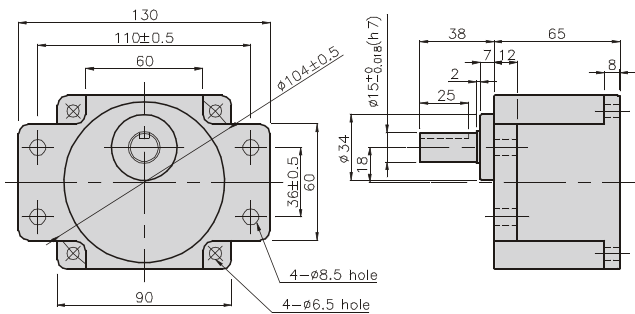
GEARHEAD

K9P□B



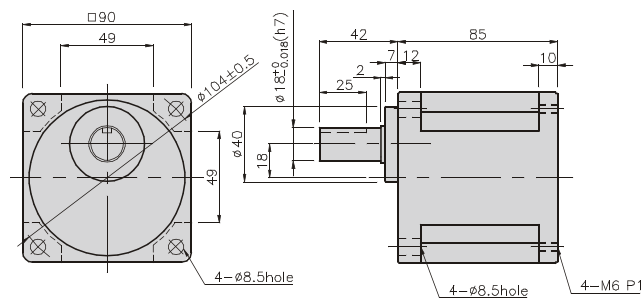
GEARHEAD

K9P□BF



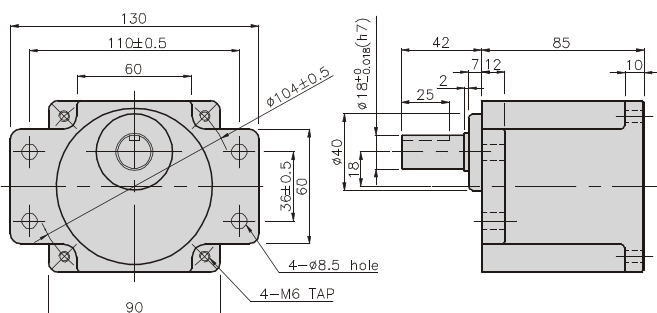
GEARHEAD

K9P□BU

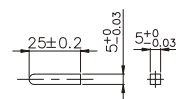


GEARHEAD

K9P□BUF



● KEY



● KEY GROOVE



GEARHEADS

DIMENSIONS

K9IP90F□-SP + K9P□B



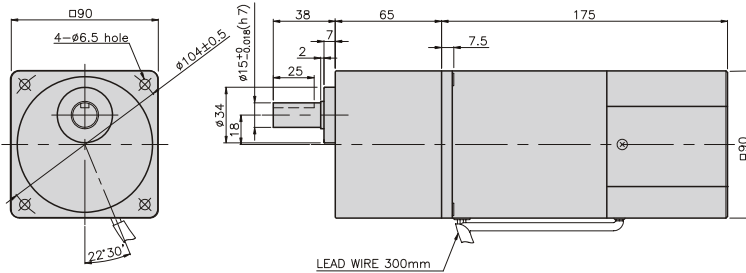
K9IP90F□-SP + K9P□BF, BUF



K9IP90F□-SP + K9P□BU



K9IP90F□-SP + K9P□B



WEIGHT

PART	WEIGHT(kg)
MOTOR	3,58
DECIMAL GEAR HEAD	0,62

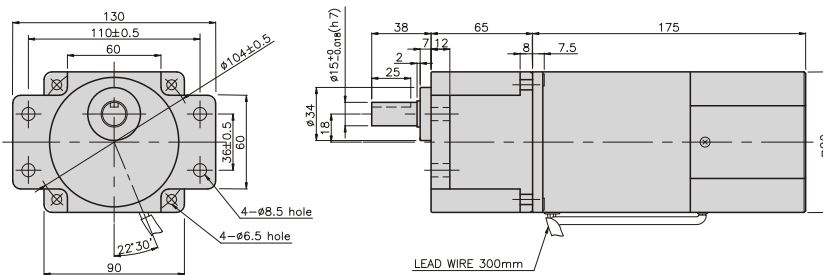
DIMENSION TABLE

PART No.	L	Application Model	Mounting BOLT
01	65	K9P3~200B	M6 P1,0 X 95
02	40	K9P10BX	M6 P1,0 X 140

WEIGHT

PART	WEIGHT(kg)
K9P3~10B	1,22
K9P12,5~20B	1,32
K9P25~60B	1,42
K9P75~200B	1,45

K9IP90F□-SP + K9P□BF



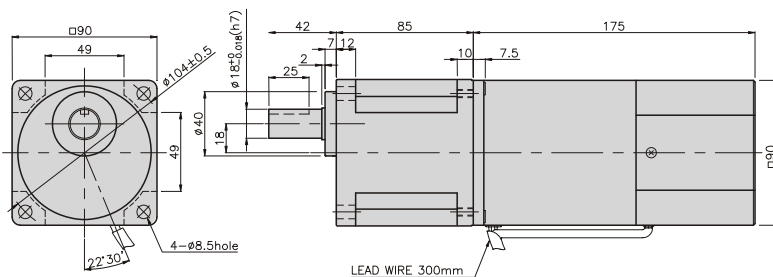
DIMENSION TABLE

PART No.	L	Application Model	Mounting BOLT
01	65	K9P3~200BF	M6 P1,0 X 25
02	40	K9P10BX	M6 P1,0 X 65

WEIGHT

PART	WEIGHT(kg)
K9P3~10BF	1,22
K9P12,5~20BF	1,30
K9P25~60BF	1,42
K9P75~200BF	1,44

K9IP90F□-SP + K9P□BU



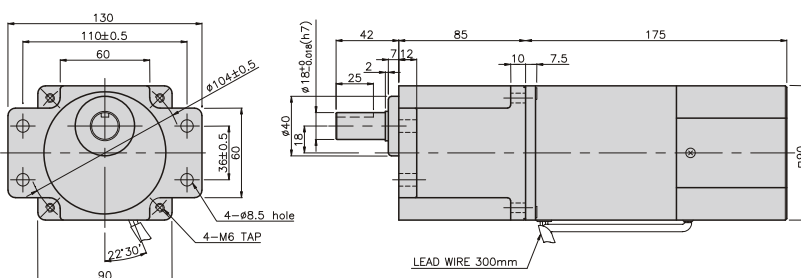
DIMENSION TABLE

PART No.	L	Application Model	Mounting BOLT
01	85	K9P3~200BU	M6 P1,0 X 20
02	40	K9P10BX	M6 P1,0 X 60

WEIGHT

PART	WEIGHT(kg)
K9P3~10BU	1,44
K9P12,5~20BU	1,55
K9P25~60BU	1,69
K9P75~200BU	1,74

K9IP90F□-SP + K9P□BUF



DIMENSION TABLE

PART No.	L	Application Model	Mounting BOLT
01	85	K9P3~200BUF	M6 P1,0 X 20
02	40	K9P10BX	M6 P1,0 X 65

WEIGHT

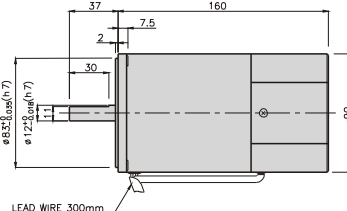
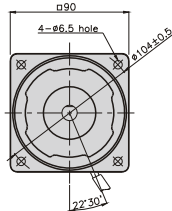
PART	WEIGHT(kg)
K9P3~10BUF	1,50
K9P12,5~20BUF	1,62
K9P25~60BUF	1,76
K9P75~200BUF	1,82

SPEED CONTROL MOTOR - SP SERIES

60W

REVERSIBLE MOTOR

K9RS60F□-SP



SPECIFICATIONS

60W 30 minutes rating, four poles

Model	Voltage (V)	Frequency (Hz)	Speed Range (rpm)	Permissible Torque		Start T. (N*m/Kgf*cm)	Current (A)	Condenser (μF)
				1200rpm (N*m/kgf*cm)	90rpm (N*m/kgf*cm)			
K9R□60FJ-SP	100	50	90 ~ 1400	0.5/5	0.17/1.7	0.3/3	2.5	25
		60	90 ~ 1700					
K9R□60FU-SP	110	60	90 ~ 1700	0.5/5	0.17/1.7	0.295/2.95	2.1	17
	115							
K9R□60FL-SP	200	50	90 ~ 1400	0.5/5	0.15/1.5	0.26/2.6	0.72	6
		60	90 ~ 1700					
K9R□60FC-SP	220	50	90 ~ 1400	0.5/5	0.15/1.5	0.3/3	0.95	5
		60	90 ~ 1700					
	230	50	90 ~ 1400	0.5/5	0.15/1.5	0.3/3	1	
		60	90 ~ 1700					
K9R□60FD-SP	240	50	90 ~ 1400	0.5/5	0.15/1.5	0.32/3.2	1.2	5

* □ : SHAFT SHAPE (S : STRAIGHT, G : PINION)

RATED TORQUE OF GEARHEAD

● Single-phase 100V/115V

unit = above : N · m / below : kgfcm

Model	Ratio	Speed (rpm)																								
		3	3.6	5	6	7.5	9	10	12.5	15	18	20	25	30	36	40	50	60	75	90	100	120	150	180	200	
K9R□60F□-SP	1200	1.22	1.46	2.03	2.43	3.04	3.65	4.05	4.56	5.47	6.56	7.29	8.20	9.84	11.81	13.12	16.40	19.68	20	20	20	20	20	20	20	20
	K9P□B, BF	90	0.41	0.50	0.69	0.83	1.03	1.24	1.38	1.55	1.86	2.23	2.48	2.79	3.35	4.02	4.46	5.58	6.69	7.53	9.03	10.04	12.5	15.06	18.07	20

● Single-phase 200V/240V

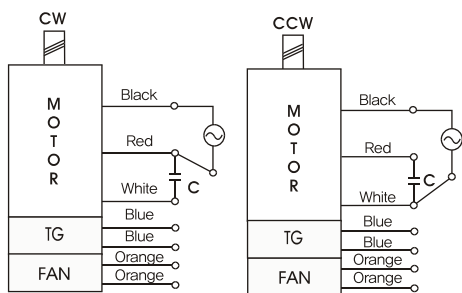
unit = above : N · m / below : kgfcm

Model	Ratio	Speed (rpm)																									
		3	3.6	5	6	7.5	9	10	12.5	15	18	20	25	30	36	40	50	60	75	90	100	120	150	180	200		
K9R□60F□-SP	1200	200V/220V/230V/240V/50Hz	1.22	1.46	2.03	2.43	3.04	3.65	4.05	4.56	5.47	6.56	7.29	8.20	9.84	11.81	13.12	16.40	19.68	20	20	20	20	20	20	20	1.22
		200V/220V/230V/60Hz	1.17	1.40	1.94	2.33	2.92	3.50	3.89	4.37	5.25	6.30	7.00	7.87	9.45	11.34	12.60	15.75	18.90	20	20	20	20	20	20	20	1.22
	90	200V/220V/230V/240V/50Hz	0.36	0.44	0.61	0.73	0.91	1.09	1.22	1.37	1.64	1.97	2.19	2.46	2.95	3.54	3.94	4.92	5.90	6.64	7.97	8.86	10.63	13.29	15.94	17.71	
		200V/220V/230V/60Hz	0.41	0.50	0.69	0.83	1.03	1.24	1.38	1.55	1.86	2.23	2.48	2.79	3.35	4.02	4.46	5.58	6.69	7.53	9.03	10.04	12.5	15.06	18.07	20	

- * Gearhead and decimal gearhead are sold separately.
- * The code in □ of gearhead model is for gear ratio.
- * color indicates that the output shaft of the geared motor rotates in the same direction as the output shaft of the motor. Others indicate rotation in the opposite direction.
- * If you are to have less ratio than the ratio in the table, you can install the decimal gearhead, which has one tenth of the ratio, between the gearhead and the motor. In this case, the permissible torque is 20N · m/200kgfcm.
- * RPM is based on motor's synchronous rpm (50HZ:1500rpm, 60HZ:1800rpm) and calculated by dividing gear ratio. Actual rpm is 2~20% less than indicating rpm according to load size.

GEARHEADS

CONNECTION DIAGRAMS



※The direction of motor rotation is as viewed from the front shaft end of the motor

DIMENSIONS

K9P□B

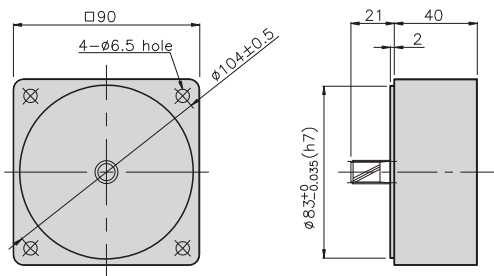


K9P□BF



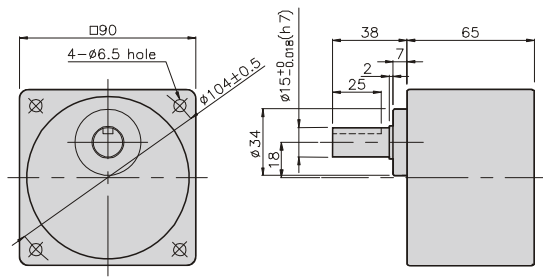
DECIMAL GEARHEAD

K9P10BX



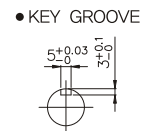
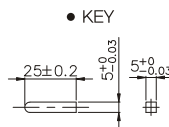
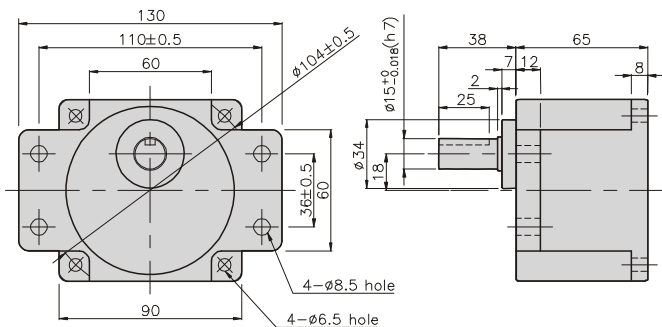
GEARHEAD

K9P□B



GEARHEAD

K9P□BF



GEARHEADS

DIMENSIONS

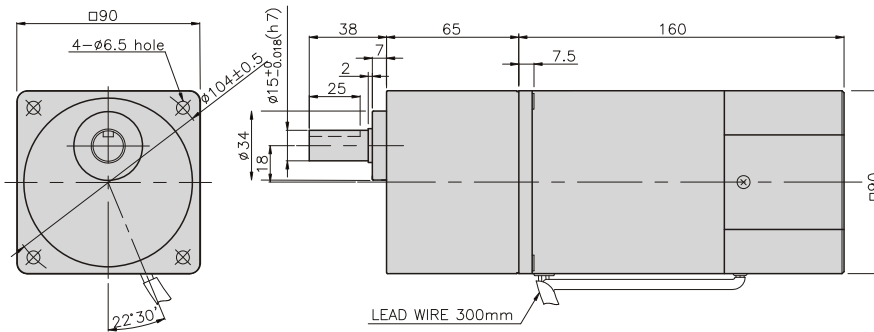
K9RP60F□-SP + K9P□B



K9RP60F□-SP + K9P□BF



K9RP60F□-SP + K9P□B



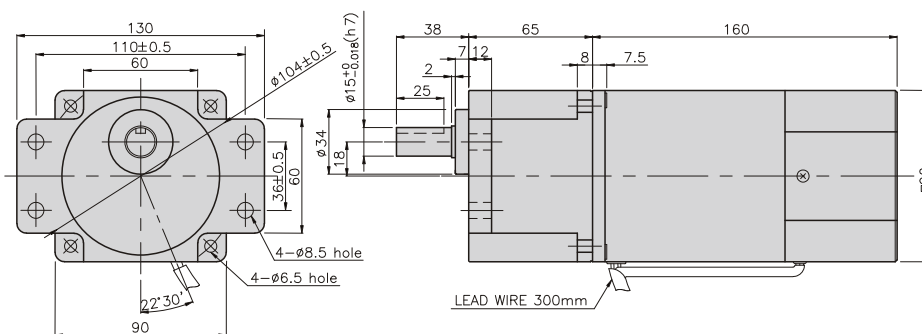
DIMENSION TABLE

PART No.	L	Application Model	Mounting BOLT
01	65	K9P3~200B	M6 P1,0 X 95
02	40	K9P10BX	M6 P1,0 X 140

WEIGHT

PART	WEIGHT(kg)	
MOTOR	3,06	
DECIMAL GEAR HEAD	0,62	
GEAR HEAD	K9P3~10B	1,22
	K9P12,5~20B	1,32
	K9P25~60B	1,42
	K9P75~200B	1,45

K9RP60F□-SP + K9P□BF



DIMENSION TABLE

PART No.	L	Application Model	Mounting BOLT
01	65	K9P3~200BF	M6 P1,0 X 25
02	40	K9P10BX	M6 P1,0 X 65

WEIGHT

PART	WEIGHT(kg)	
MOTOR	3,06	
DECIMAL GEAR HEAD	0,62	
GEAR HEAD	K9P3~10BF	1,22
	K9P12,5~20BF	1,32
	K9P25~60BF	1,42
	K9P75~200BF	1,45

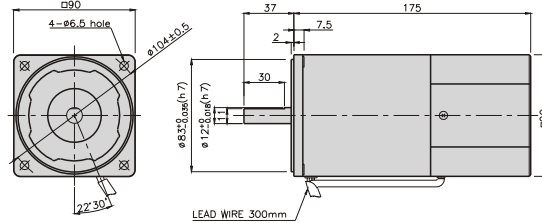
SPEED CONTROL MOTOR - SP SERIES

90W

□90mm

REVERSIBLE MOTOR

K9RS90F□-SP



SPECIFICATIONS

90W 30 minutes rating, four poles

Model	Voltage (V)	Frequency (Hz)	Speed Range (rpm)	Permissible Torque		Start T. (N*m/Kgf*cm)	Current (A)	Condenser (μF)	
				1200rpm (N*m/Kgf*cm)	90rpm (N*m/Kgf*cm)				
K9R□90FJ-SP	100	50	90 ~ 1400	0,75/7,5	0,25/2,5	0,4/4	3,6	35	
		60	90 ~ 1700						
K9R□90FU-SP	110	60	90 ~ 1700	0,75/7,5	0,25/2,5	0,38/3,8	3	25	
	115						3,2		
K9R□90FL-SP	200	50	90 ~ 1400	0,75/7,5	0,25/2,5	0,4/4	1,4	8	
		60	90 ~ 1700				1,5		
K9R□90FC-SP	220	50	90 ~ 1400	0,75/7,5	0,25/2,5	0,4/4	1,2	7	
		60	90 ~ 1700				1,4		
		50	90 ~ 1400				0,43/4,3		1,2
		60	90 ~ 1700						1,4
K9R□90FD-SP	240	50	90 ~ 1400	0,75/7,5	0,25/2,5	0,4/4	1,3	6	

* □ : SHAFT SHAPE (S : STRAIGHT, G : PINION)

RATED TORQUE OF GEARHEAD

● Single-phase 100V/115V

unit = above : N · m / below : kgfcm

Model	Ratio	Speed(rpm)																								
		3	3,6	5	6	7,5	9	10	12,5	15	18	20	25	30	36	40	50	60	75	90	100	120	150	180	200	
K9R□90F□-SP K9P□B, BF	1200	1,82 18,2	2,19 21,9	3,04 30,4	3,65 36,5	4,56 45,6	5,47 54,7	6,08 60,8	6,83 68,3	8,20 82,0	9,84 98,4	10,94 109,4	12,30 123,0	14,76 147,6	17,71 177,1	19,68 196,8	20 200	20 200	20 200	20 200	20 200	20 200	20 200	20 200	20 200	20 200
	90	0,61 6,1	0,73 7,3	1,01 10,1	1,22 12,2	1,52 15,2	1,82 18,2	2,03 20,3	2,28 22,8	2,73 27,3	3,28 32,8	3,65 36,5	4,10 41,0	4,92 49,2	5,90 59,0	6,56 65,6	8,20 82,0	9,84 98,4	11,07 110,7	13,29 132,9	14,76 147,6	17,71 177,1	20 200	20 200	20 200	20 200

● Single-phase 200V/240V

unit = above : N · m / below : kgfcm

Model	Ratio	Speed(rpm)																									
		3	3,6	5	6	7,5	9	10	12,5	15	18	20	25	30	36	40	50	60	75	90	100	120	150	180	200		
K9R□90F□-SP K9P□B, BF	1200	1,82 18,2	2,19 21,9	3,04 30,4	3,65 36,5	4,56 45,6	5,47 54,7	6,08 60,8	6,83 68,3	8,20 82,0	9,84 98,4	10,94 109,4	12,30 123,0	14,76 147,6	17,71 177,1	19,68 196,8	20 200	20 200	20 200	20 200	20 200	20 200	20 200	20 200	20 200	20 200	
	90	200V/220V/230V 240V/50HZ	0,61 6,1	0,73 7,3	1,01 10,1	1,22 12,2	1,52 15,2	1,82 18,2	2,03 20,3	2,28 22,8	2,73 27,3	3,28 32,8	3,65 36,5	4,10 41,0	4,92 49,2	5,90 59,0	6,56 65,6	8,20 82,0	9,84 98,4	11,07 110,7	13,29 132,9	14,76 147,6	17,71 177,1	20 200	20 200	20 200	20 200
		200V/220V 230V/60Hz	0,68 6,8	0,82 8,2	1,13 11,3	1,36 13,6	1,70 17,0	2,04 20,4	2,27 22,7	2,55 25,5	3,06 30,6	3,67 36,7	4,08 40,8	4,59 45,9	5,51 55,1	6,61 66,1	7,35 73,5	9,19 91,9	11,02 110,2	12,40 124,0	14,88 148,8	16,53 165,3	19,84 198,4	20 200	20 200	20 200	20 200

- * Gearhead and decimal gearhead are sold separately.
- * The code in □ of gearhead model is for gear ratio.
- * ■ color indicates that the output shaft of the geared motor rotates in the same direction as the output shaft of the motor. Others indicate rotation in the opposite direction.
- * If you are to have less ratio than the ratio in the table, you can install the decimal gearhead, which has one tenth of the ratio, between the gearhead and the motor. In this case, the permissible torque is 20N · m/200kgfcm.
- * RPM is based on motor's synchronous rpm (50HZ:1500rpm, 60HZ:1800rpm) and calculated by dividing gear ratio. Actual rpm is 2~20% less than indicating rpm according to load size.

GEARHEADS

RATED TORQUE OF GEARHEAD

● Single-phase 100V/115V

unit = above : N · m / below : kgfcm

Model	Ratio																									
		Speed(rpm)																								
K9R□90F□-SP K9P□BU, BUF	1200	1.82 18.2	2.19 21.9	3.04 30.4	3.65 36.5	4.56 45.6	5.47 54.7	6.08 60.8	6.83 68.3	8.20 82.0	9.84 98.4	10.94 109.4	12.30 123.0	14.76 147.6	17.71 177.1	19.68 196.8	24.60 246	29.52 295	30 300	30 300	30 300	30 300	30 300	30 300	30 300	30 300
	90	0.61 6.1	0.73 7.3	1.01 10.1	1.22 12.2	1.52 15.2	1.82 18.2	2.03 20.3	2.28 22.8	2.73 27.3	3.28 32.8	3.65 36.5	4.10 41.0	4.92 49.2	5.90 59.0	6.56 65.6	8.20 82.0	9.84 98.4	11.07 110.7	13.29 132.9	14.76 147.6	17.71 177.1	22.14 221.4	26.57 265.7	29.52 295.2	

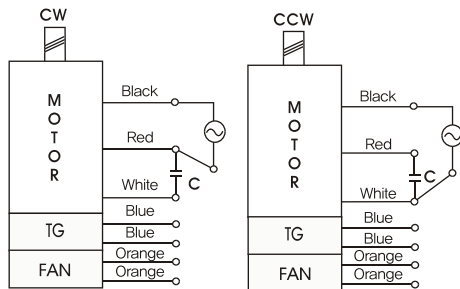
● Single-phase 200V/240V

unit = above : N · m / below : kgfcm

Model	Ratio																									
		Speed(rpm)																								
K9R□90F□-SP K9P□BU, BUF	1200	1.82 18.2	2.19 21.9	3.04 30.4	3.65 36.5	4.56 45.6	5.47 54.7	6.08 60.8	6.83 68.3	8.20 82.0	9.84 98.4	10.94 109.4	12.30 123.0	14.76 147.6	17.71 177.1	19.68 196.8	24.60 246	29.52 295	30 300	30 300	30 300	30 300	30 300	30 300	30 300	30 300
	90	200V/220V/230V 240V/50Hz	0.61 6.1	0.73 7.3	1.01 10.1	1.22 12.2	1.52 15.2	1.82 18.2	2.03 20.3	2.28 22.8	2.73 27.3	3.28 32.8	3.65 36.5	4.10 41.0	4.92 49.2	5.90 59.0	6.56 65.6	8.20 82.0	9.84 98.4	11.07 110.7	13.29 132.9	14.76 147.6	17.71 177.1	22.14 221.4	26.57 265.7	29.52 295.2
		200V/220V 230V/60Hz	0.68 6.8	0.82 8.2	1.13 11.3	1.36 13.6	1.70 17.0	2.04 20.4	2.27 22.7	2.55 25.5	3.06 30.6	3.67 36.7	4.08 40.8	4.59 45.9	5.51 55.1	6.61 66.1	7.35 73.5	9.19 91.9	11.02 110.2	12.40 124.0	14.88 148.8	16.53 165.3	19.84 198.4	24.80 248.0	29.76 297.6	30 300

- * Gearhead and decimal gearhead are sold separately.
- * The code in □ of gearhead model is for gear ratio.
- * color indicates that the output shaft of the geared motor rotates in the same direction as the output shaft of the motor. Others indicate rotation in the opposite direction.
- * If you are to have less ratio than the ratio in the table, you can install the decimal gearhead, which has one tenth of the ratio, between the gearhead and the motor. In this case, the permissible torque is 30N · m/300kgfcm.
- * RPM is based on motor's synchronous rpm (50HZ:1500rpm, 60HZ:1800rpm) and calculated by dividing gear ratio. Actual rpm is 2~20% less than indicating rpm according to load size.

CONNECTION DIAGRAMS



※The direction of motor rotation is as viewed from the front shaft end of the motor

GEARHEADS

DIMENSIONS

K9P□B



K9P□BF, BUF

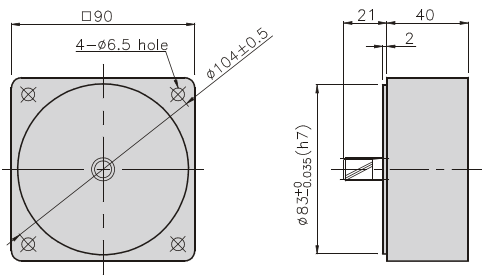


K9P□BU



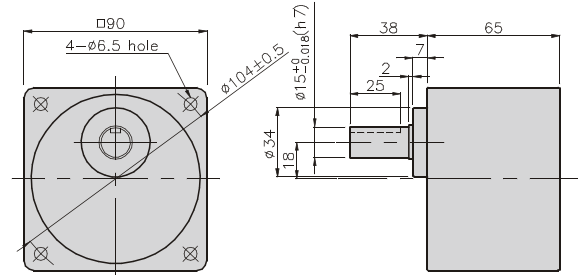
DECIMAL GEARHEAD

K9P10BX



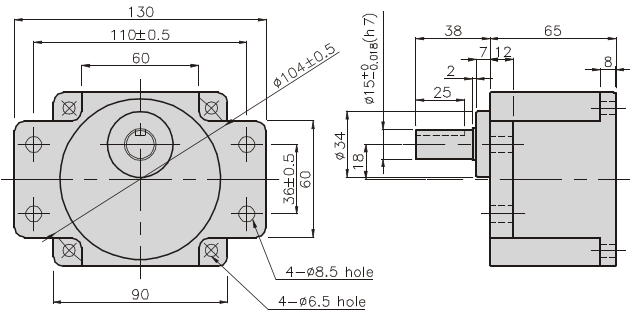
GEARHEAD

K9P□B



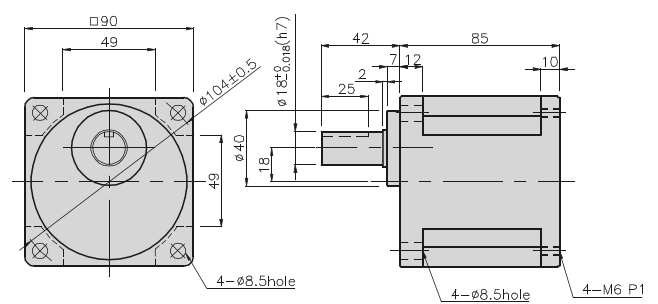
GEARHEAD

K9P□BF



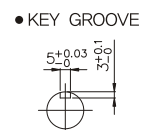
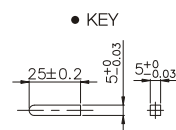
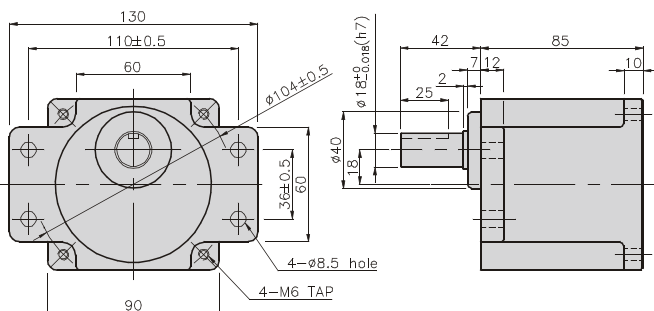
GEARHEAD

K9P□BU



GEARHEAD

K9P□BUF



GEARHEADS

DIMENSIONS

K9RP90F□-SP + K9P□B



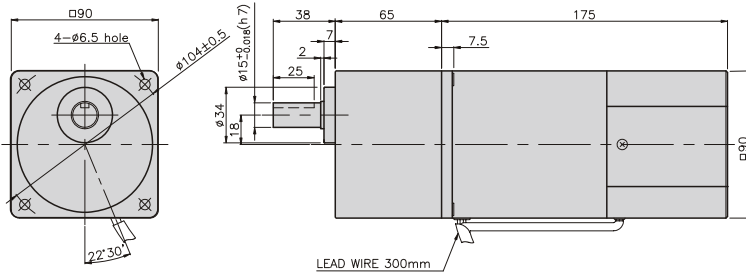
K9RP90F□-SP + K9P□BF. BUF



K9RP90F□-SP + K9P□BU



K9RP90F□-SP + K9P□B



WEIGHT

PART	WEIGHT(kg)
MOTOR	3,06
DECIMAL GEAR HEAD	0,62

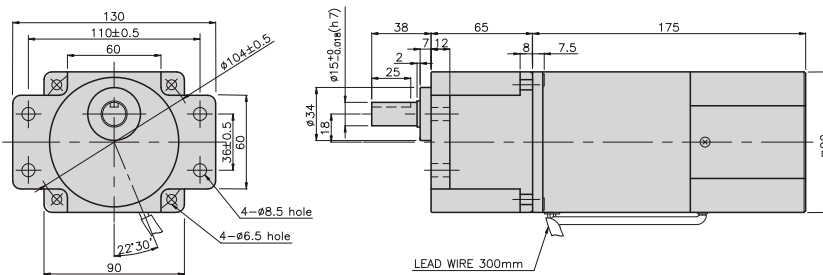
DIMENSION TABLE

PART No.	L	Application Model	Mounting BOLT
01	65	K9P3~200B	M6 P1,0 X 95
02	40	K9P10BX	M6 P1,0 X 140

WEIGHT

PART	WEIGHT(kg)
K9P3~10B	1,22
K9P12,5~20B	1,32
K9P25~60B	1,42
K9P75~200B	1,45

K9RP90F□-SP + K9P□BF



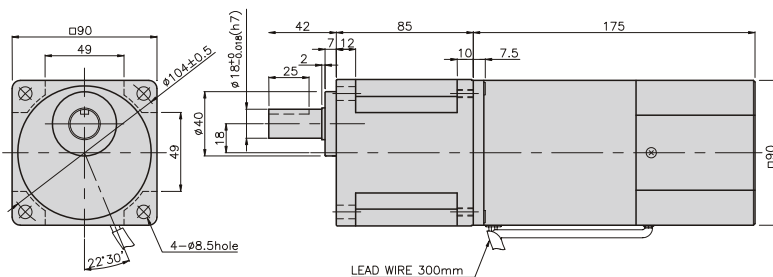
DIMENSION TABLE

PART No.	L	Application Model	Mounting BOLT
01	65	K9P3~200BF	M6 P1,0 X 25
02	40	K9P10BX	M6 P1,0 X 65

WEIGHT

PART	WEIGHT(kg)
K9P3~10BF	1,22
K9P12,5~20BF	1,30
K9P25~60BF	1,42
K9P75~200BF	1,44

K9RP90F□-SP + K9P□BU



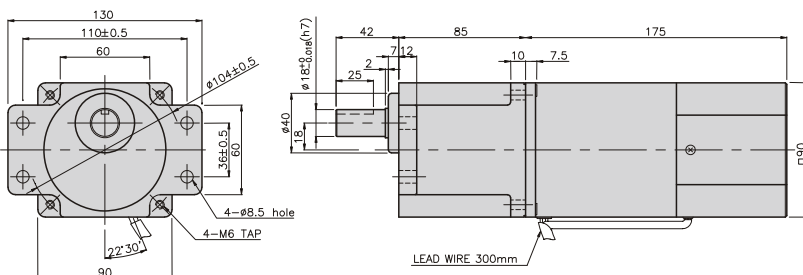
DIMENSION TABLE

PART No.	L	Application Model	Mounting BOLT
01	85	K9P3~200BU	M6 P1,0 X 20
02	40	K9P10BX	M6 P1,0 X 60

WEIGHT

PART	WEIGHT(kg)
K9P3~10BU	1,44
K9P12,5~20BU	1,55
K9P25~60BU	1,69
K9P75~200BU	1,74

K9RP90F□-SP + K9P□BUF



DIMENSION TABLE

PART No.	L	Application Model	Mounting BOLT
01	85	K9P3~200BUF	M6 P1,0 X 20
02	40	K9P10BX	M6 P1,0 X 65

WEIGHT

PART	WEIGHT(kg)
K9P3~10BUF	1,50
K9P12,5~20BUF	1,62
K9P25~60BUF	1,76
K9P75~200BUF	1,82

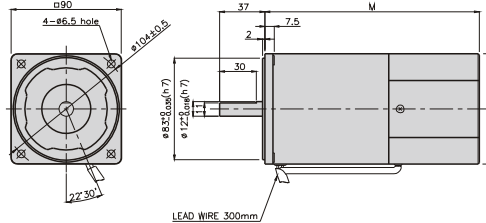
SPEED CONTROL MOTOR - SP SERIES

120W

□90mm

INDUCTION MOTOR

K9□S120F□-SP



SPECIFICATIONS

120W continuous rating, four poles

Model	Voltage (V)	Frequency (Hz)	Speed Range (rpm)	Permissible Torque		Start T. (N*m/ Kg*f*cm)	Current (A)	Condenser (μF)
				1200rpm (N*m/ Kg*f*cm)	90rpm (N*m/ Kg*f*cm)			
K9□120FJ-SP	100	50	90 ~ 1400	0,83/8,3	0,3/3	0,4/4	3,4	35
		60	90 ~ 1700					
K9□120FU-SP	110	60	90 ~ 1700	0,83/8,3	0,3/3	0,45/4,5	3,2	30
	115							
K9□120FL-SP	200	50	90 ~ 1400	0,83/8,3	0,28/2,8	0,4/4	1,4	8,5
		60	90 ~ 1700	0,8/8	0,3/3		1,5	8
K9□120FC-SP	220	50	90 ~ 1400	0,83/8,3	0,28/2,8	0,4/4	1,2	6
			90 ~ 1700					
	230	60	90 ~ 1400	0,8/8	0,3/3	0,45/4,5	1,4	7
			90 ~ 1700					
K9□120FD-SP	240	50	90 ~ 1400	0,83/8,3	0,28/2,8	0,4/4	1,3	6

* □ : SHAFT SHAPE (S : STRAIGHT, G : PINION)

RATED TORQUE OF GEARHEAD

● Single-phase 100V/115V

unit = above : N · m / below : kgfcm

Model	Ratio	Speed(rpm)																								
		3	3,6	5	6	7,5	9	10	12,5	15	18	20	25	30	36	40	50	60	75	90	100	120	150	180	200	
K9□120F□-SP K9P□B, BF	1200	2,02 20,2	2,42 24,2	3,36 33,6	4,03 40,3	5,04 50,4	6,05 60,5	6,72 67,2	7,56 75,6	9,08 90,8	10,89 108,9	12,10 121,0	13,61 136,1	16,34 163,4	19,60 196	20	20	20	20	20	20	20	20	20	20	20
	90	0,73 7,3	0,87 8,7	1,22 12,2	1,46 14,6	1,82 18,2	2,19 21,9	2,43 24,3	2,73 27,3	3,28 32,8	3,94 39,4	4,37 43,7	4,92 49,2	5,90 59,0	7,09 70,9	7,87 78,7	9,84 98,4	11,81 118,1	13,29 132,9	15,94 159,4	17,71 177,1	20	20	20	20	20

● Single-phase 200V/240V

unit = above : N · m / below : kgfcm

Model	Ratio	Speed(rpm)																									
		3	3,6	5	6	7,5	9	10	12,5	15	18	20	25	30	36	40	50	60	75	90	100	120	150	180	200		
K9□120F□-SP K9P□B, BF	1200	200V/220V/230V 240V/50Hz	2,02 20,2	2,42 24,2	3,36 33,6	4,03 40,3	5,04 50,4	6,05 60,5	6,72 67,2	7,56 75,6	9,08 90,8	10,89 108,9	12,10 121,0	13,61 136,1	16,34 163,4	19,60 196	20	20	20	20	20	20	20	20	20	20	20
		200V/220V 230V/60Hz	1,94 19,4	2,33 23,3	3,24 32,4	3,89 38,9	4,86 48,6	5,83 58,3	6,48 64,8	7,29 72,9	8,75 87,5	10,50 105,0	11,66 116,6	13,12 131,2	15,75 157,5	18,90 189,0	20	20	20	20	20	20	20	20	20	20	20
	90	200V/220V/230V 240V/50Hz	0,68 6,8	0,82 8,2	1,13 11,3	1,36 13,6	1,70 17,0	2,04 20,4	2,27 22,7	2,55 25,5	3,06 30,6	3,67 36,7	4,08 40,8	4,59 45,9	5,51 55,1	6,61 66,1	7,35 73,5	9,19 91,9	11,02 110,2	12,40 124,0	14,88 148,8	16,53 165,3	19,84 198,4	20	20	20	20
		200V/220V 230V/60Hz	0,73 7,3	0,87 8,7	1,22 12,2	1,46 14,6	1,82 18,2	2,19 21,9	2,43 24,3	2,73 27,3	3,28 32,8	3,94 39,4	4,37 43,7	4,92 49,2	5,90 59,0	7,09 70,9	7,87 78,7	9,84 98,4	11,81 118,1	13,29 132,9	15,94 159,4	17,71 177,1	20	20	20	20	20

- * Gearhead and decimal gearhead are sold separately.
- * The code in □ of gearhead model is for gear ratio.
- * color indicates that the output shaft of the geared motor rotates in the same direction as the output shaft of the motor. Others indicate rotation in the opposite direction.
- * If you are to have less ratio than the ratio in the table, you can install the decimal gearhead, which has one tenth of the ratio, between the gearhead and the motor. In this case, the permissible torque is 20N · m/200kgfcm.
- * RPM is based on motor's synchronous rpm (50HZ:1500rpm, 60HZ:1800rpm) and calculated by dividing gear ratio. Actual rpm is 2~20% less than indicating rpm according to load size.

GEARHEADS

RATED TORQUE OF GEARHEAD

● 단상 100V/115V

unit = above : N·m / below : kgfcm

Model	Ratio	Speed(rpm)																								
		3	3,6	5	6	7,5	9	10	12,5	15	18	20	25	30	36	40	50	60	75	90	100	120	150	180	200	
K9□120F□-SP K9P□BU, BUF	1200	2,02 20,2	2,42 24,2	3,36 33,6	4,03 40,3	5,04 50,4	6,05 60,5	6,72 67,2	7,56 75,6	9,08 90,8	10,89 108,9	12,10 121,0	13,61 136,1	16,34 163,4	19,60 196,0	21,78 217,8	27,23 272,3	30 300	30 300	30 300	30 300	30 300	30 300	30 300	30 300	30 300
	90	0,73 7,3	0,87 8,7	1,22 12,2	1,46 14,6	1,82 18,2	2,19 21,9	2,43 24,3	2,73 27,3	3,28 32,8	3,94 39,4	4,37 43,7	4,92 49,2	5,90 59,0	7,09 70,9	7,87 78,7	9,84 98,4	11,81 118,1	13,29 132,9	15,94 159,4	17,71 177,1	21,26 212,6	26,57 265,7	30 300	30 300	30 300

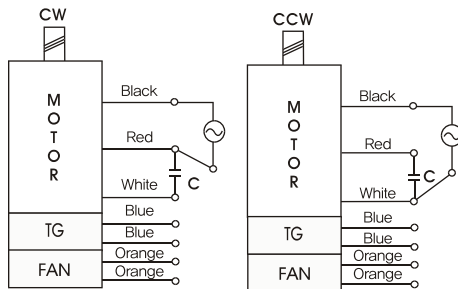
● 단상 200V/240V

unit = above : N·m / below : kgfcm

Model	Ratio	Speed(rpm)																								
		3	3,6	5	6	7,5	9	10	12,5	15	18	20	25	30	36	40	50	60	75	90	100	120	150	180	200	
K9□120F□-SP K9P□BU, BUF	1200	200V/220V/230V/240V/50Hz	2,02 20,2	2,42 24,2	3,36 33,6	4,03 40,3	5,04 50,4	6,05 60,5	6,72 67,2	7,56 75,6	9,08 90,8	10,89 108,9	12,01 120,1	13,61 136,1	16,34 163,4	19,60 196,0	21,78 217,8	27,23 272,3	30 300	30 300	30 300	30 300	30 300	30 300	30 300	30 300
		200V/220V/230V/60Hz	1,94 19,4	2,33 23,3	3,24 32,4	3,89 38,9	4,86 48,6	5,83 58,3	6,48 64,8	7,29 72,9	8,75 87,5	10,50 105,0	11,66 116,6	13,12 131,2	15,75 157,5	18,90 189,0	21,00 210,0	26,24 262,4	30 300	30 300	30 300	30 300	30 300	30 300	30 300	30 300
	90	200V/220V/230V/240V/50Hz	0,68 6,8	0,82 8,2	1,13 11,3	1,36 13,6	1,70 17,0	2,04 20,4	2,27 22,7	2,55 25,5	3,06 30,6	3,67 36,7	4,08 40,8	4,59 45,9	5,51 55,1	6,61 66,1	7,35 73,5	9,19 91,9	11,02 110,2	12,40 124,0	14,88 148,8	16,53 165,3	19,84 198,4	24,80 248,0	29,76 297,6	30 300
		200V/220V/230V/60Hz	0,73 7,3	0,87 8,7	1,22 12,2	1,46 14,6	1,82 18,2	2,19 21,9	2,43 24,3	2,73 27,3	3,28 32,8	3,94 39,4	4,37 43,7	4,92 49,2	5,90 59,0	7,09 70,9	7,87 78,7	9,84 98,4	11,81 118,1	13,29 132,9	15,94 159,4	17,71 177,1	21,26 212,6	26,57 265,7	30 300	30 300

- * Gearhead and decimal gearhead are sold separately.
- * The code in □ of gearhead model is for gear ratio.
- * ■ color indicates that the output shaft of the geared motor rotates in the same direction as the output shaft of the motor. Others indicate rotation in the opposite direction.
- * If you are to have less ratio than the ratio in the table, you can install the decimal gearhead, which has one tenth of the ratio, between the gearhead and the motor. In this case, the permissible torque is 30N·m/300kgfcm.
- * RPM is based on motor's synchronous rpm (50Hz:1500rpm, 60Hz:1800rpm) and calculated by dividing gear ratio. Actual rpm is 2~20% less than indicating rpm according to load size.

CONNECTION DIAGRAMS



DIMENSION TABLE

PART No.	M	Application Model
01	195	50Hz
02	175	60Hz

*The direction of motor rotation is as viewed from the front shaft end of the motor

GEARHEADS

DIMENSIONS

K9P□B



K9P□BF, BUF

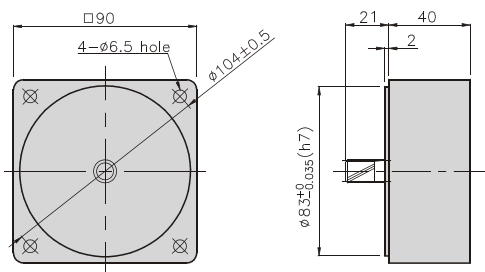


K9P□BU



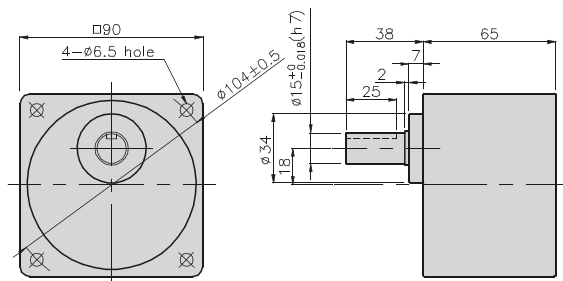
DECIMAL GEARHEAD

K9P10BX



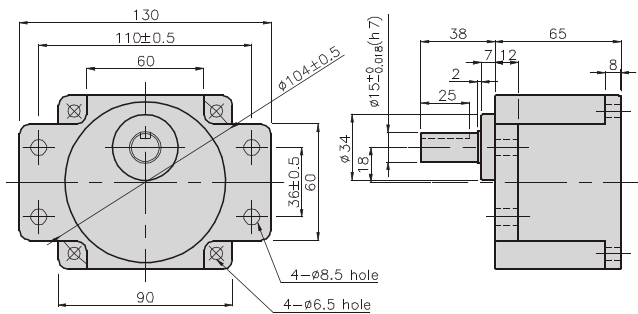
GEARHEAD

K9P□B



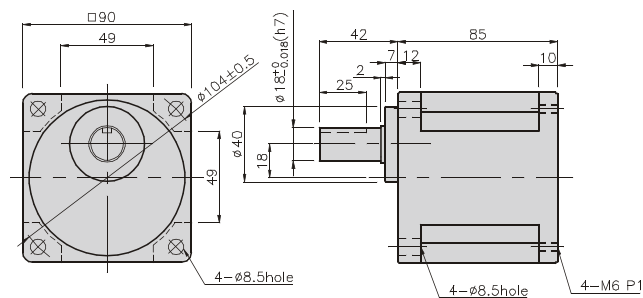
GEARHEAD

K9P□BF



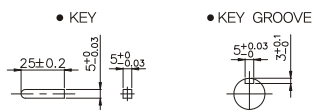
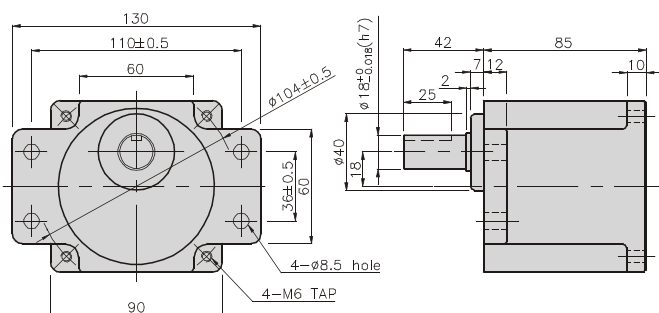
GEARHEAD

K9P□BU



GEARHEAD

K9P□BUF



GEARHEADS

DIMENSIONS

K9IP120F□-SP + K9P□B



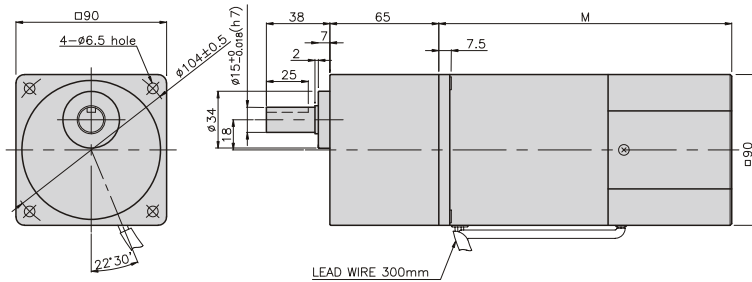
K9IP120F□-SP + K9P□BF, BUF



K9IP120F□-SP + K9P□BU



K9IP120F□-SP + K9P□B



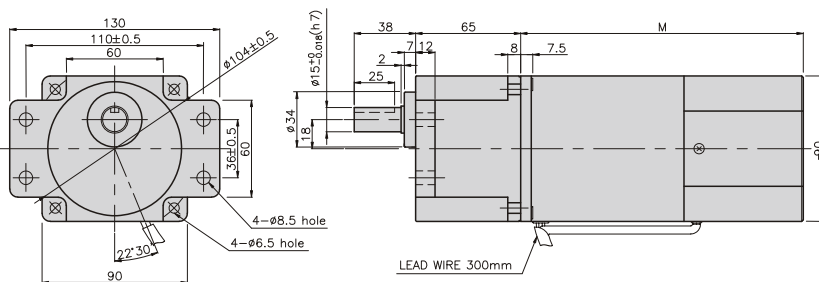
WEIGHT

PART	WEIGHT(kg)
MOTOR	3,54
DECIMAL GEAR HEAD	0,62

DIMENSION TABLE

품번	M	적용기종
01	155	50Hz
02	135	60Hz

K9IP120F□-SP + K9P□BF



DIMENSION TABLE

PART No.	L	Application Model	Mounting BOLT
01	65	K9P3~200B	M6 P1,0 X 95
02	40	K9P10BX	M6 P1,0 X 140

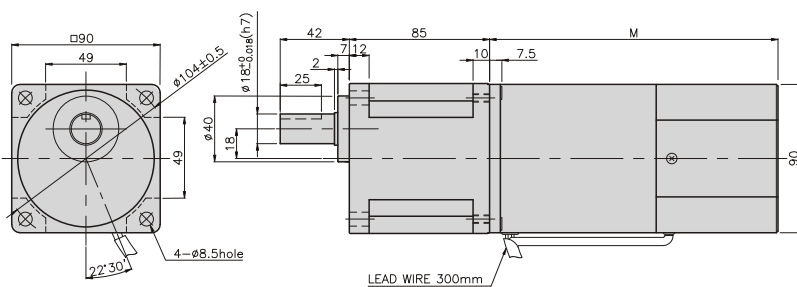
WEIGHT

PART	WEIGHT(kg)
K9P3~10B	1,22
K9P12,5~20B	1,32
K9P25~60B	1,42
K9P75~200B	1,45

DIMENSION TABLE

PART No.	L	Application Model	Mounting BOLT
01	65	K9P3~200BF	M6 P1,0 X 25
02	40	K9P10BX	M6 P1,0 X 65

K9IP120F□-SP + K9P□BU



WEIGHT

PART	WEIGHT(kg)
K9P3~10BF	1,22
K9P12,5~20BF	1,30
K9P25~60BF	1,42
K9P75~200BF	1,44

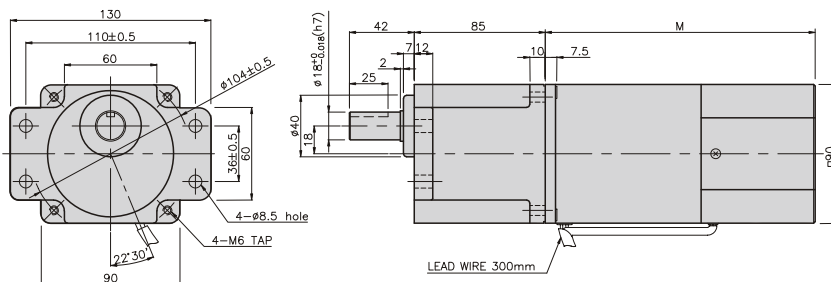
DIMENSION TABLE

PART No.	L	Application Model	Mounting BOLT
01	85	K9P3~200BU	M6 P1,0 X 20
02	40	K9P10BX	M6 P1,0 X 60

WEIGHT

PART	WEIGHT(kg)
K9P3~10BU	1,44
K9P12,5~20BU	1,55
K9P25~60BU	1,69
K9P75~200BU	1,74

K9IP120F□-SP + K9P□BUF



DIMENSION TABLE

PART No.	L	Application Model	Mounting BOLT
01	85	K9P3~200BUF	M6 P1,0 X 20
02	40	K9P10BX	M6 P1,0 X 65

WEIGHT

PART	WEIGHT(kg)
K9P3~10BUF	1,50
K9P12,5~20BUF	1,62
K9P25~60BUF	1,76
K9P75~200BUF	1,82

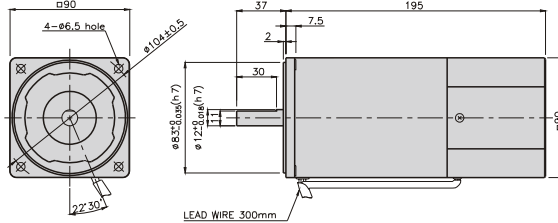
SPEED CONTROL MOTOR - SP SERIES

180W

□90mm

INDUCTION MOTOR

K9□S180F□-SP



SPECIFICATIONS

180W continuous rating, four poles

Model	Voltage (V)	Frequency (Hz)	Speed Range (rpm)	Permissible Torque		Start T. (N*m/Kgf*cm)	Current (A)	Condenser (μF)
				1200rpm (N*m/Kgf*cm)	90rpm (N*m/Kgf*cm)			
K9I□180FJ-SP	100	50	90 ~ 1400	0,9/9	0,35/3,5	0,6/6	5,2	50
		60	90 ~ 1700			0,65/6,5	5,5	
K9I□180FU-SP	110	60	90 ~ 1700	0,9/9	0,35/3,5	0,52/5,2	4,8	35
	115					0,55/5,5	5	
K9I□180FL-SP	200	50	90 ~ 1400	0,9/9	0,3/3	0,5/5	2,2	12
		60	90 ~ 1700			0,42/4,2		
K9I□180FC-SP	220	50	90 ~ 1400	0,9/9	0,3/3	0,45/4,5	2,2	8
		60	90 ~ 1700			0,42/4,2	2	
	230	50	90 ~ 1400	1/10	0,33/3,3	0,53/5,3	2,4	
		60	90 ~ 1700			0,5/5	2,2	
K9I□180FD-SP	240	50	90 ~ 1400	1/10	0,33/3,3	0,6/6	2	8

* □ : SHAFT SHAPE (S : STRAIGHT, G : PINION)

RATED TORQUE OF GEARHEAD

● Single-phase 100V/115V

unit = above : N · m / below : kgfcm

Model	Ratio	Speed(rpm)																							
		3	3,6	5	6	7,5	9	10	12,5	15	18	20	25	30	36	40	50	60	75	90	100	120	150	180	200
K9I□180F□-SP K9P□BU, BUF	1200	2,19 21,9	2,62 26,2	3,65 36,5	4,37 43,7	5,47 54,7	6,56 65,6	7,29 72,9	8,20 82,0	9,84 98,4	11,81 118,1	13,12 131,2	14,76 147,6	17,71 177,1	21,26 212,6	23,62 236,2	29,52 295,2	30 300	30 300	30 300	30 300	30 300	30 300	30 300	30 300
	90	0,85 8,5	1,02 10,2	1,42 14,2	1,70 17,0	2,13 21,3	2,55 25,5	2,84 28,4	3,19 31,9	3,83 38,3	4,59 45,9	5,10 51,0	5,74 57,4	6,89 68,9	8,27 82,7	9,19 91,9	11,48 114,8	13,78 137,8	15,50 155,0	18,60 186,0	20,67 206,7	24,80 248,0	30 300	30 300	30 300

● Single-phase 200V/240V

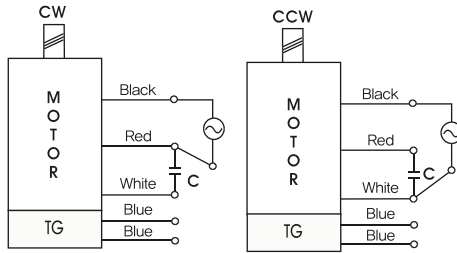
unit = above : N · m / below : kgfcm

Model	Ratio	Speed(rpm)																								
		3	3,6	5	6	7,5	9	10	12,5	15	18	20	25	30	36	40	50	60	75	90	100	120	150	180	200	
K9I□180F□-SP K9P□BU, BUF	1200	200V/220V 50V/60Hz	2,19 21,9	2,62 26,2	3,65 36,5	4,37 43,7	5,47 54,7	6,56 65,6	7,29 72,9	8,20 82,0	9,84 98,4	11,81 118,1	13,12 131,2	14,76 147,6	17,71 177,1	21,26 212,6	23,62 236,2	29,52 295,2	30 300	30 300	30 300	30 300	30 300	30 300	30 300	30 300
		230V/50Hz/60Hz 240V/50Hz	2,43 24,3	2,92 29,2	4,05 40,5	4,86 48,6	6,08 60,8	7,29 72,9	8,10 81,0	9,11 91,1	10,94 109,4	13,12 132,2	14,58 145,8	16,40 164,0	19,68 197	23,62 236	26,24 262	30 300	30 300	30 300	30 300	30 300	30 300	30 300	30 300	30 300
	90	200V/220V 50Hz/60Hz	0,73 7,3	0,87 8,7	1,22 12,2	1,46 14,6	1,82 18,2	2,19 21,9	2,43 24,3	2,73 27,3	3,28 32,8	3,94 39,4	4,37 43,7	4,92 49,2	5,90 59,0	7,09 70,9	7,87 78,7	9,84 98,4	11,81 118,1	13,29 132,9	15,94 159,4	17,71 177,1	21,26 212,6	26,57 265,7	30 300	30 300
		230Hz/50Hz/60Hz 240V/50Hz	0,80 8,0	0,96 9,6	1,34 13,4	1,60 16,0	2,00 20,2	2,41 24,1	2,41 24,1	3,34 33,4	4,01 40,1	4,81 48,1	5,35 53,5	5,41 54,1	6,50 65,0	7,79 77,9	8,66 86,6	10,83 108,3	12,99 129,9	14,61 146,1	17,54 175,4	19,49 194,9	23,38 233,8	29,23 292,3	30 300	30 300

- * Gearhead and decimal gearhead are sold separately.
- * The code in □ of gearhead model is for gear ratio.
- * ■ color indicates that the output shaft of the geared motor rotates in the same direction as the output shaft of the motor. Others indicate rotation in the opposite direction.
- * If you are to have less ratio than the ratio in the table, you can install the decimal gearhead, which has one tenth of the ratio, between the gearhead and the motor. In this case, the permissible torque is 30N · m/300kgfcm.
- * RPM is based on motor's synchronous rpm (50Hz:1500rpm, 60Hz:1800rpm) and calculated by dividing gear ratio. Actual rpm is 2~20% less than indicating rpm according to load size.

GEARHEADS

CONNECTION DIAGRAMS



※The direction of motor rotation is as viewed from the front shaft end of the motor

DIMENSIONS

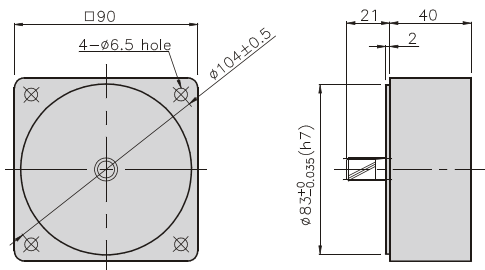
K9P□BU



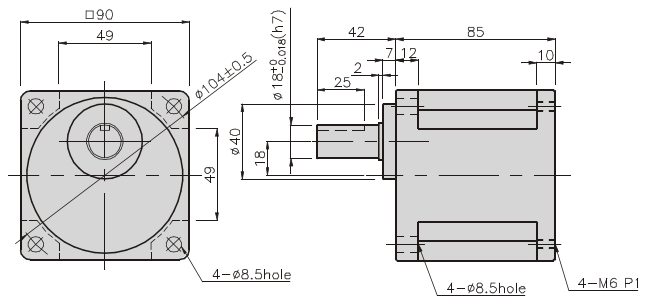
K9P□BUF



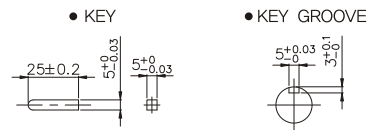
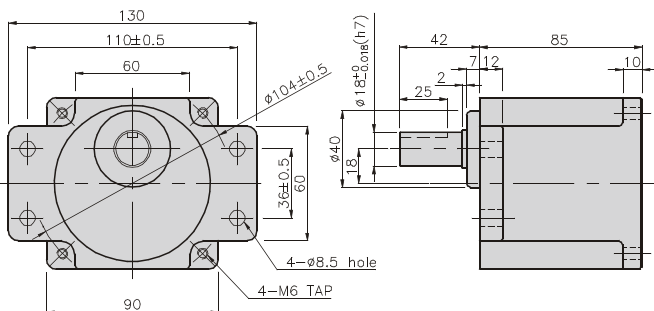
DECIMAL GEARHEAD
K9P10BX



GEARHEAD
K9P□BU



GEARHEAD
K9P□BUF



GEARHEADS

DIMENSIONS

K9IP180F□-SP + K9P□BU



K9IP180F□-SP + K9P□BUF



WEIGHT

PART	WEIGHT(kg)
MOTOR	4,24
DECIMAL GEAR HEAD	0,62

DIMENSION TABLE

PART No.	L	Application Model	Mounting BOLT
01	85	K9P3~200B	M6 P1,0 X 20
02	40	K9P10BX	M6 P1,0 X 60

WEIGHT

PART	WEIGHT(kg)
K9P3~10BU	1,44
K9P12,5~20BU	1,55
K9P25~60BU	1,69
K9P75~200BU	1,74

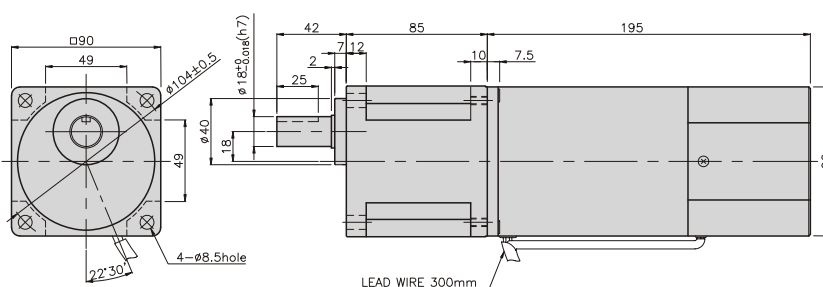
DIMENSION TABLE

PART No.	L	Application Model	Mounting BOLT
01	85	K9P3~200BUF	M6 P1,0 X 20
02	40	K9P10BX	M6 P1,0 X 65

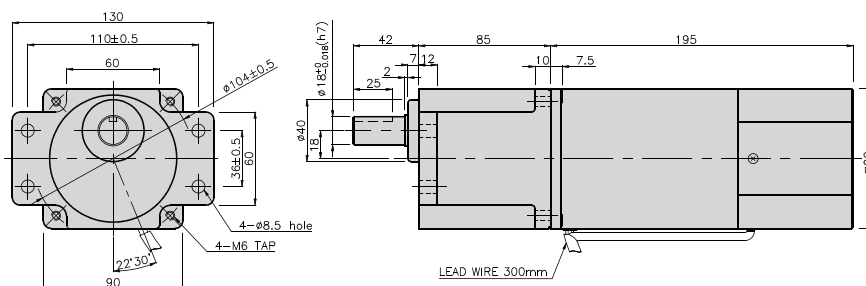
WEIGHT

PART	WEIGHT(kg)
K9P3~10BUF	1,50
K9P12,5~20BUF	1,62
K9P25~60BUF	1,76
K9P75~200BUF	1,82

K9IP180F□-SP + K9P□BU



K9IP180F□-SP + K9P□BUF

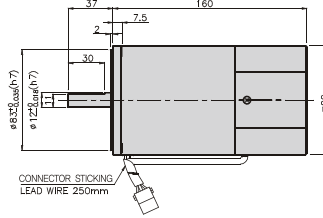
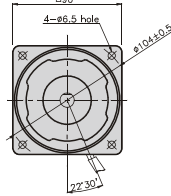


SPEED CONTROL MOTOR - SU SERIES

60W

□90mm

K9□S60F□-SU



SPECIFICATIONS

60W continuous rating, four poles

Model	Voltage (V)	Frequency (Hz)	Speed Range (rpm)	Permissible Torque		Start T. (N*m/Kgf*cm)	Current (A)	Condenser (μF)
				1200rpm (N*m/Kgf*cm)	90rpm (N*m/Kgf*cm)			
K9I□60FJ-SU	100	50	90 ~ 1400	0.45/4.5	0.15/1.5	0.24/2.4	2.3	20
		60	90 ~ 1700					
K9I□60FU-SU	110	60	90 ~ 1700	0.45/4.5	0.15/1.5	0.285/2.85	2	16
	115						2.1	
K9I□60FL-SU	200	50	90 ~ 1400	0.49/4.9	0.14/1.4	0.24/2.4	1.2	5
		60	90 ~ 1700	0.45/4.5	0.16/1.6	0.21/2.1		
K9I□60FC-SU	220	50	90 ~ 1400	0.49/4.9	0.14/1.4	0.24/2.4	0.91	4
		60	90 ~ 1700	0.45/4.5	0.16/1.6	0.21/2.1	0.9	
	230	50	90 ~ 1400	0.49/4.9	0.14/1.4	0.24/2.4	1	
		60	90 ~ 1700	0.45/4.5	0.16/1.6	0.24/2.4		
K9I□60FD-SU	240	50	90 ~ 1400	0.49/4.9	0.14/1.4	0.28/2.8	1.1	4

* □ : SHAFT SHAPE (S : STRAIGHT, G : PINION)

RATED TORQUE OF GEARHEAD

● Single-phase 100V/115V

unit = above : N · m / below : kgfcm

Model	Ratio	Speed (rpm)																								
		3	3.6	5	6	7.5	9	10	12.5	15	18	20	25	30	36	40	50	60	75	90	100	120	150	180	200	
K9I□60F□-SU K9P□B, BF	1200	1.09 10.9	1.31 13.1	1.82 18.2	2.19 21.9	2.73 27.3	3.28 32.8	3.65 36.5	4.10 41.0	4.92 49.2	5.90 59.0	6.56 65.6	7.38 73.8	8.86 88.6	10.63 106.3	11.81 118.1	14.76 147.6	17.71 177.1	20 200	20 200	20 200	20 200	20 200	20 200	20 200	20 200
	90	0.36 3.6	0.44 4.4	0.61 6.1	0.73 7.3	0.91 9.1	1.09 10.9	1.22 12.2	1.37 13.7	1.64 16.4	1.97 19.7	2.19 21.9	2.46 24.6	2.95 29.5	3.54 35.4	3.94 39.4	4.92 49.2	5.90 59.0	6.64 66.4	7.97 79.7	8.86 88.6	10.63 106.3	13.29 132.9	15.94 159.4	17.71 177.1	

● Single-phase 200V/240V

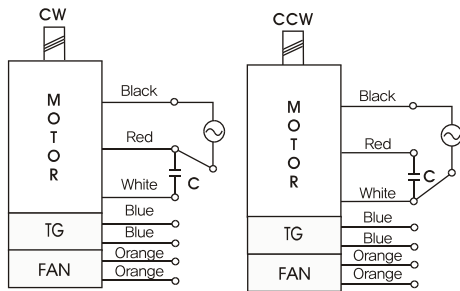
unit = above : N · m / below : kgfcm

Model	Ratio	Speed (rpm)																								
		3	3.6	5	6	7.5	9	10	12.5	15	18	20	25	30	36	40	50	60	75	90	100	120	150	180	200	
K9I□60F□-SU K9P□B, BF	1200	200V/220V/230V/240V/50Hz	1.19 11.9	1.43 14.3	1.98 19.8	2.38 23.8	2.98 29.8	3.57 35.7	3.97 39.7	4.47 44.7	5.36 53.6	6.43 64.3	7.14 71.4	8.04 80.4	9.64 96.4	11.57 115.7	12.86 128.6	16.07 160.7	19.29 192.9	20 200	20 200	20 200	20 200	20 200	20 200	20 200
		200V/220V/230V/60Hz	1.09 10.9	1.31 13.1	1.82 18.2	2.19 21.9	2.73 27.3	3.28 32.8	3.65 36.5	4.10 41.0	4.92 49.2	5.90 59.0	6.56 65.6	7.38 73.8	8.86 88.6	10.63 106.3	11.81 118.1	14.76 147.6	17.71 177.1	20 200	20 200	20 200	20 200	20 200	20 200	20 200
	90	200V/220V/230V/50Hz	0.34 3.4	0.41 4.1	0.57 5.7	0.68 6.8	0.85 8.5	1.02 10.2	1.13 11.3	1.28 12.8	1.53 15.3	1.84 18.4	2.04 20.4	2.30 23.0	2.76 27.6	3.31 33.1	3.67 36.7	4.59 45.9	5.51 55.1	6.20 62.0	7.44 74.4	8.27 82.7	9.92 99.2	12.40 124.0	14.88 148.8	16.53 165.3
		200V/220V/230V/60Hz	0.39 3.9	0.47 4.7	0.65 6.5	0.78 7.8	0.97 9.7	1.17 11.7	1.30 13.0	1.46 14.6	1.75 17.5	2.10 21.0	2.33 23.3	2.62 26.2	3.15 31.5	3.78 37.8	4.20 42.0	5.25 52.5	6.30 63.0	7.09 70.9	8.50 85.0	9.45 94.5	11.34 113.4	14.17 141.7	17.01 170.1	18.90 189.0

- * Gearhead and decimal gearhead are sold separately.
- * The code in □ of gearhead model is for gear ratio.
- * ■ color indicates that the output shaft of the geared motor rotates in the same direction as the output shaft of the motor. Others indicate rotation in the opposite direction.
- * If you are to have less ratio than the ratio in the table, you can install the decimal gearhead, which has one tenth of the ratio, between the gearhead and the motor. In this case, the permissible torque is 20N · m/200kgfcm.
- * RPM is based on motor's synchronous rpm (50Hz:1500rpm, 60Hz:1800rpm) and calculated by dividing gear ratio. Actual rpm is 2~20% less than indicating rpm according to load size.

GEARHEADS

CONNECTION DIAGRAMS



※The direction of motor rotation is as viewed from the front shaft end of the motor

DIMENSIONS

K9P□B

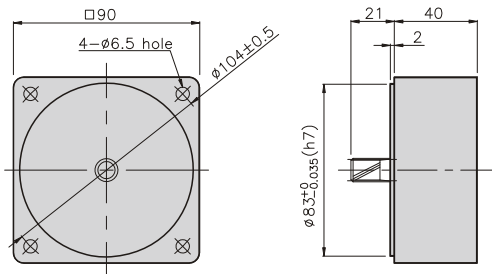


K9P□BF



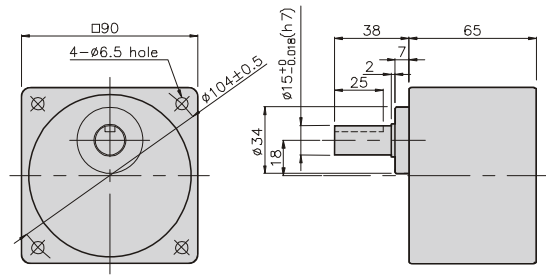
DECIMAL GEARHEAD

K9P10BX



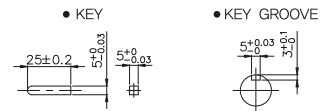
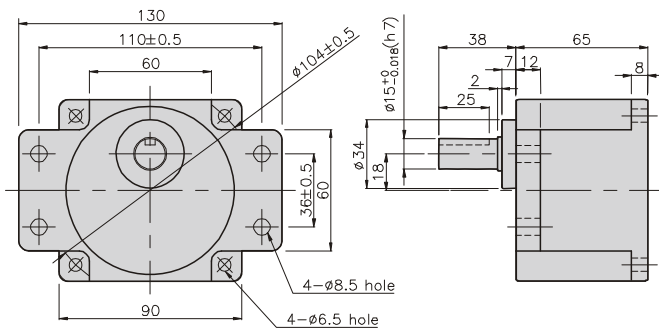
GEARHEAD

K9P□B



GEARHEAD

K9P□BF



GEARHEADS

DIMENSIONS

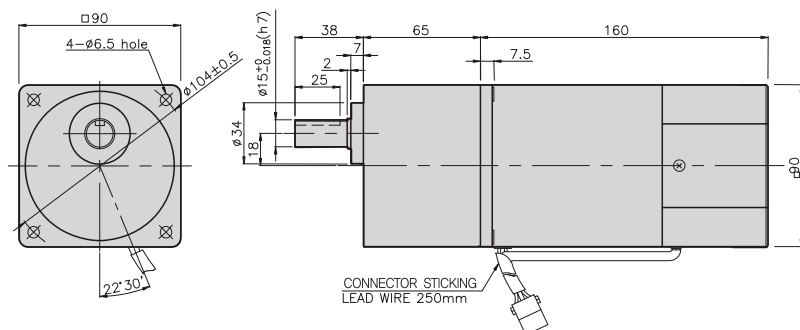
K9IP60F□-SU + K9P□B



K9IP60F□-SU + K9P□BF



K9IP60F□-SU + K9P□B



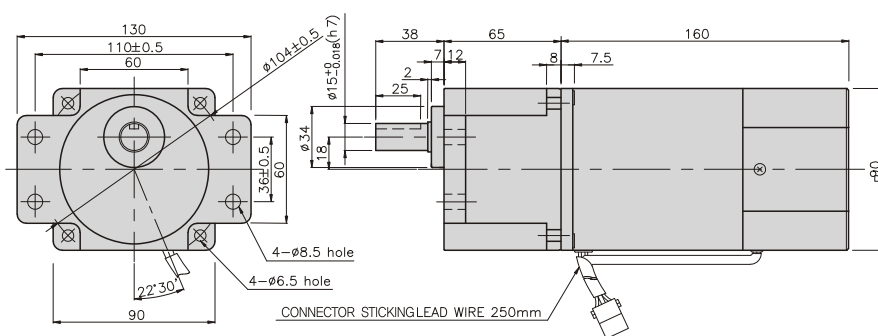
DIMENSION TABLE

PART No.	L	Application Model	Mounting BOLT
01	65	K9P3~200B	M6 P1,0 X 95
02	40	K9P10BX	M6 P1,0 X 140

WEIGHT

PART	WEIGHT(kg)	
MOTOR	3,06	
DECIMAL GEAR HEAD	0,62	
GEAR HEAD	K9P3~10B	1,22
	K9P12,5~20B	1,32
	K9P25~60B	1,42
	K9P75~200B	1,45

K9IP60F□-SU + K9P□BF



DIMENSION TABLE

PART No.	L	Application Model	Mounting BOLT
01	65	K9P3~200BF	M6 P1,0 X 25
02	40	K9P10BX	M6 P1,0 X 65

WEIGHT

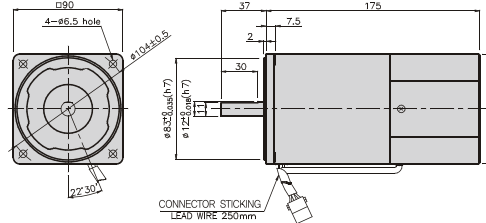
PART	WEIGHT(kg)	
MOTOR	3,58	
DECIMAL GEAR HEAD	0,62	
GEAR HEAD	K9P3~10BF	1,22
	K9P12,5~20BF	1,30
	K9P25~60BF	1,42
	K9P75~200BF	1,44

SPEED CONTROL MOTOR - SU SERIES

90W

□90mm

K9□S90F□-SU



SPECIFICATIONS

90W continuous rating, four poles

Model	Voltage (V)	Frequency (Hz)	Speed Range (rpm)	Permissible Torque		Start T. (N*m/Kgf*cm)	Current (A)	Condenser (μF)
				1200rpm (N*m/Kgf*cm)	90rpm (N*m/Kgf*cm)			
K9I□90FJ-SU	100	50	90 ~ 1400	0,7/7	0,23/2,3	0,36/3,6	3,2	30
		60	90 ~ 1700					
K9I□90FU-SU	110	60	90 ~ 1700	0,7/7	0,23/2,3	0,35/3,5	2,6	20
	115							
K9I□90FL-SU	200	50	90 ~ 1400	0,73/7,3	0,23/2,3	0,36/3,6	1,3	7
		60	90 ~ 1700					
K9I□90FC-SU	220	50	90 ~ 1400	0,73/7,3	0,23/2,3	0,36/3,6	1,1	6
		60	90 ~ 1700					
	230	50	90 ~ 1400		0,23/2,3	0,4/4	1,2	
		60	90 ~ 1700					
K9I□90FD-SU	240	50	90 ~ 1400	0,73/7,3	0,23/2,3	0,36/3,6	1,2	5

* □ : SHAFT SHAPE (S : STRAIGHT, G : PINION)

RATED TORQUE OF GEARHEAD

● Single-phase 100V/115V

unit = above : N · m / below : kgfcm

Model	Ratio	Speed(rpm)																							
		3	3,6	5	6	7,5	9	10	12,5	15	18	20	25	30	36	40	50	60	75	90	100	120	150	180	200
K9I□90F□-SU K9P□B, BF	1200	1,70 17,0	2,04 20,4	2,84 28,4	3,40 34,0	4,25 42,5	5,10 51,0	5,67 56,7	6,38 63,8	7,65 76,5	9,19 91,9	10,21 102,1	11,48 114,8	13,78 137,8	16,53 165,3	18,37 183,7	20 200	20 200	20 200	20 200	20 200	20 200	20 200	20 200	20 200
	90	0,56 5,6	0,67 6,7	0,93 9,3	1,12 11,2	1,40 14,0	1,68 16,8	1,86 18,6	2,10 21,0	2,52 25,2	3,02 30,2	3,35 33,5	3,77 37,7	4,53 45,3	5,43 54,3	6,04 60,4	7,55 75,5	9,05 90,5	10,19 101,9	12,22 122,2	13,58 135,8	16,30 163,0	20 200	20 200	20 200

● Single-phase 200V/240V

unit = above : N · m / below : kgfcm

Model	Ratio	Speed(rpm)																							
		3	3,6	5	6	7,5	9	10	12,5	15	18	20	25	30	36	40	50	60	75	90	100	120	150	180	200
K9I□90F□-SU K9P□B, BF	1200	1,77 17,7	2,13 21,3	2,96 29,6	3,55 35,5	4,43 44,3	5,32 53,2	5,91 59,1	6,65 66,5	7,98 79,8	9,58 95,8	10,64 106,4	11,97 119,7	14,37 143,7	17,24 172,4	19,16 191,6	20 200	20 200	20 200	20 200	20 200	20 200	20 200	20 200	20 200
	90	200V/220V/ 230V/240V/50Hz	0,56 5,6	0,67 6,7	0,93 9,3	1,12 11,2	1,40 14,0	1,68 16,8	1,86 18,6	2,10 21,0	2,52 25,2	3,02 30,2	3,35 33,5	3,77 37,7	4,53 45,3	5,43 54,3	6,04 60,4	7,55 75,5	9,05 90,5	10,19 101,9	12,22 122,2	13,58 135,8	16,30 163,0	20 200	20 200
		200V/220V/ 230V/180Hz	0,63 6,3	0,76 7,6	1,05 10,5	1,26 12,6	1,58 15,8	1,90 19,0	2,11 21,1	2,37 23,7	2,84 28,4	3,41 34,1	3,79 37,9	4,26 42,6	5,12 51,2	6,14 61,4	6,82 68,2	8,53 85,3	10,24 102,4	11,51 115,1	13,82 138,2	15,35 153,5	18,42 184,2	20 200	20 200

- * Gearhead and decimal gearhead are sold separately.
- * The code in □ of gearhead model is for gear ratio.
- * ■ color indicates that the output shaft of the geared motor rotates in the same direction as the output shaft of the motor. Others indicate rotation in the opposite direction.
- * If you are to have less ratio than the ratio in the table, you can install the decimal gearhead, which has one tenth of the ratio, between the gearhead and the motor. In this case, the permissible torque is 20N · m/200kgfcm.
- * RPM is based on motor's synchronous rpm (50HZ:1500rpm, 60HZ:1800rpm) and calculated by dividing gear ratio. Actual rpm is 2~20% less than indicating rpm according to load size.

GEARHEADS

RATED TORQUE OF GEARHEAD

● Single-phase 100V/115V

unit = above : N·m / below : kgfcm

Model Motor/Gearhead	Ratio Speed(rpm)	3	3,6	5	6	7,5	9	10	12,5	15	18	20	25	30	36	40	50	60	75	90	100	120	150	180	200
		K9I□90F□-SU K9P□BU, BUF	1200	1,70 17,0	2,04 20,4	2,84 28,4	3,40 34,0	4,25 42,5	5,10 51,0	5,67 56,7	6,38 63,8	7,65 76,5	9,19 91,9	10,21 102,1	11,48 114,8	13,78 137,8	16,53 165,3	18,37 183,7	22,96 229,6	27,56 275,6	30 300	30 300	30 300	30 300	30 300
90	0,56 5,6		0,67 6,7	0,93 9,3	1,12 11,2	1,40 14,0	1,68 16,8	1,86 18,6	2,10 21,0	2,52 25,2	3,02 30,2	3,35 33,5	3,77 37,7	4,53 45,3	5,43 54,3	6,04 60,4	7,55 75,5	9,05 90,5	10,19 101,9	12,22 122,2	13,58 135,8	16,30 163,0	20,37 203,7	24,45 244,5	27,16 271,6

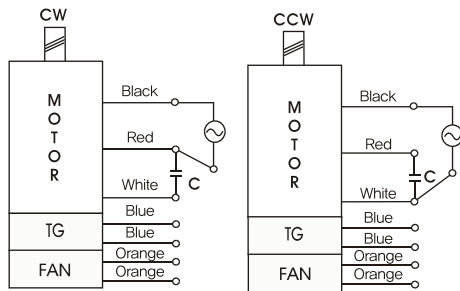
● Single-phase 200V/240V

unit = above : N·m / below : kgfcm

Model Motor/Gearhead	Ratio Speed(rpm)	3	3,6	5	6	7,5	9	10	12,5	15	18	20	25	30	36	40	50	60	75	90	100	120	150	180	200	
		K9I□90F□-SU K9P□BU, BUF	1200	1,77 17,7	2,13 21,3	2,96 29,6	3,55 35,5	4,43 44,3	5,32 53,2	5,91 59,1	6,65 66,5	7,98 79,8	9,58 95,8	10,64 106,4	11,97 119,7	14,37 143,7	17,24 172,4	19,16 191,6	23,95 239,5	28,74 287,4	30 300	30 300	30 300	30 300	30 300	30 300
90	200V/220V/ 230V/240V/ 50Hz		0,56 5,6	0,67 6,7	0,93 9,3	1,12 11,2	1,40 14,0	1,68 16,8	1,86 18,6	2,10 21,0	2,52 25,2	3,02 30,2	3,35 33,5	3,77 37,7	4,53 45,3	5,43 54,3	6,04 60,4	7,55 75,5	9,05 90,5	10,19 101,9	12,22 122,2	13,58 135,8	16,30 163,0	20,37 203,7	24,45 244,5	27,16 271,6
	200V/220V/ 230V/60Hz		0,63 6,3	0,76 7,6	1,05 10,5	1,26 12,6	1,58 15,8	1,90 19,0	2,11 21,1	2,37 23,7	2,84 28,4	3,41 34,1	3,79 37,9	4,26 42,6	5,12 51,2	6,14 61,4	6,82 68,2	8,53 85,3	10,24 102,4	11,51 115,1	13,82 138,2	15,35 153,5	18,42 184,2	23,03 230,3	27,63 276,3	30 300

- * Gearhead and decimal gearhead are sold separately.
- * The code in □ of gearhead model is for gear ratio.
- * ■ color indicates that the output shaft of the geared motor rotates in the same direction as the output shaft of the motor. Others indicate rotation in the opposite direction.
- * If you are to have less ratio than the ratio in the table, you can install the decimal gearhead, which has one tenth of the ratio, between the gearhead and the motor. In this case, the permissible torque is 30N·m/300kgfcm.
- * RPM is based on motor's synchronous rpm (50HZ:1500rpm, 60HZ:1800rpm) and calculated by dividing gear ratio. Actual rpm is 2~20% less than indicating rpm according to load size.

CONNECTION DIAGRAMS



※The direction of motor rotation is as viewed from the front shaft end of the motor

GEARHEADS

DIMENSIONS

K9P□B



K9P□BF, BUF

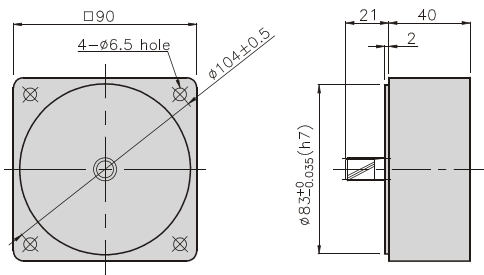


K9P□BU



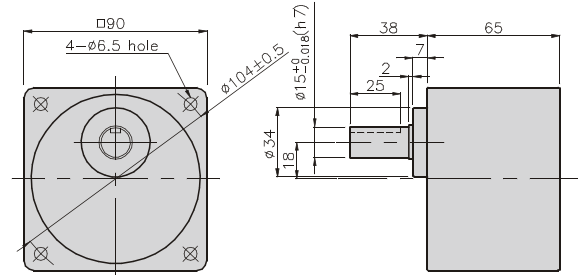
DECIMAL GEARHEAD

K9P10BX



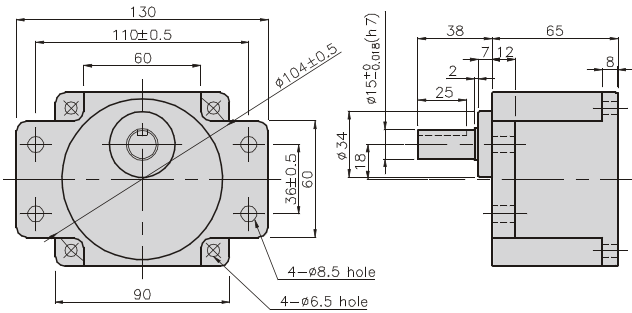
GEARHEAD

K9P□B



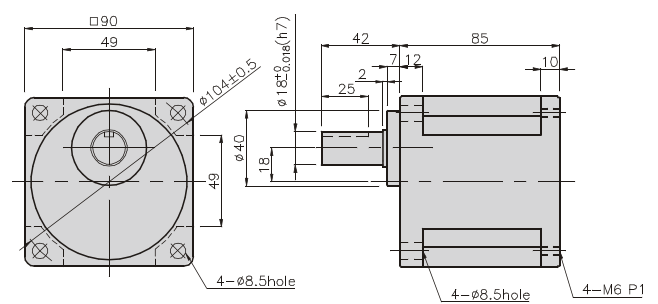
GEARHEAD

K9P□BF



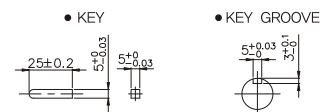
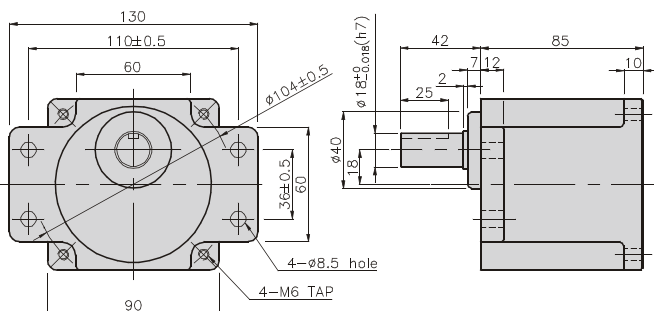
GEARHEAD

K9P□BU



GEARHEAD

K9P□BUF



GEARHEADS

DIMENSIONS

K9IP90F□-SU + K9P□B



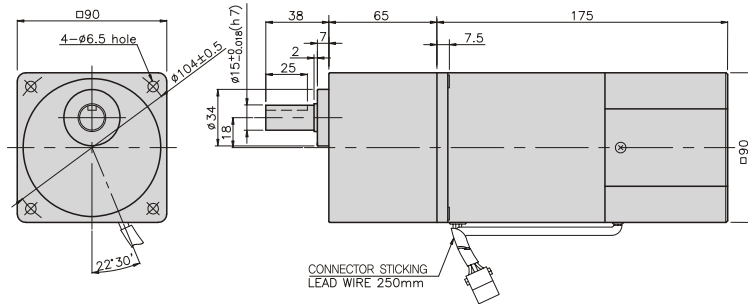
K9IP90F□-SU + K9P□BF, BUF



K9IP90F□-SU + K9P□BU



K9IP90F□-SU + K9P□B



WEIGHT

PART	WEIGHT(kg)
MOTOR	3,06
DECIMAL GEAR HEAD	0,62

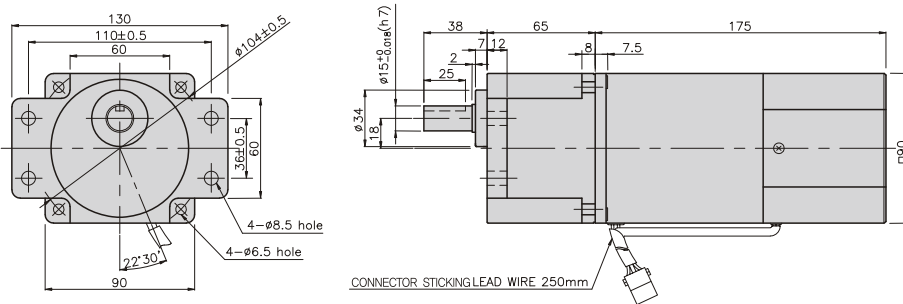
DIMENSION TABLE

PART No.	L	Application Model	Mounting BOLT
01	65	K9P3~200B	M6 P1,0 X 95
02	40	K9P10BX	M6 P1,0 X 140

WEIGHT

PART	WEIGHT(kg)
K9P3~10B	1,22
K9P12,5~20B	1,32
K9P25~60B	1,42
K9P75~200B	1,45

K9IP90F□-SU + K9P□BF



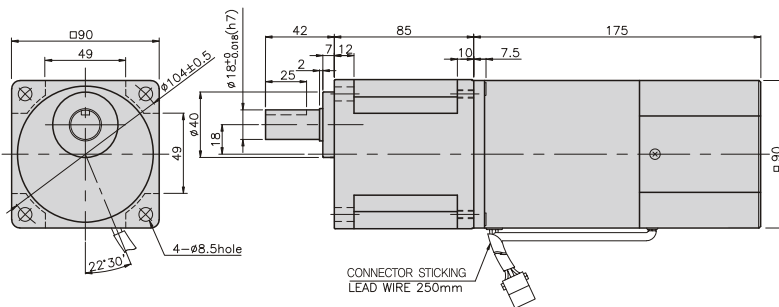
DIMENSION TABLE

PART No.	L	Application Model	Mounting BOLT
01	65	K9P3~200BF	M6 P1,0 X 25
02	40	K9P10BX	M6 P1,0 X 65

WEIGHT

PART	WEIGHT(kg)
K9P3~10BF	1,22
K9P12,5~20BF	1,30
K9P25~60BF	1,42
K9P75~200BF	1,44

K9IP90F□-SU + K9P□BU



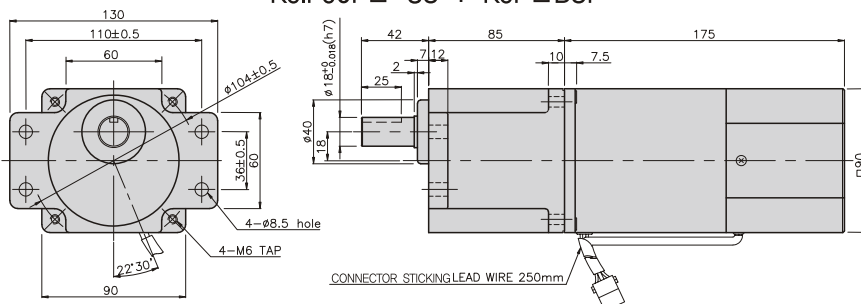
DIMENSION TABLE

PART No.	L	Application Model	Mounting BOLT
01	85	K9P3~200BU	M6 P1,0 X 20
02	40	K9P10BX	M6 P1,0 X 60

WEIGHT

PART	WEIGHT(kg)
K9P3~10BU	1,44
K9P12,5~20BU	1,55
K9P25~60BU	1,69
K9P75~200BU	1,74

K9IP90F□-SU + K9P□BUF



DIMENSION TABLE

PART No.	L	Application Model	Mounting BOLT
01	85	K9P3~200BUF	M6 P1,0 X 20
02	40	K9P10BX	M6 P1,0 X 65

WEIGHT

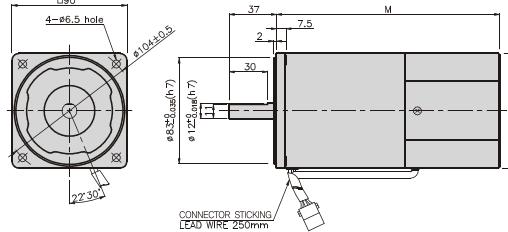
PART	WEIGHT(kg)
K9P3~10BUF	1,50
K9P12,5~20BUF	1,62
K9P25~60BUF	1,76
K9P75~200BUF	1,82

SPEED CONTROL MOTOR - SU SERIES

120W

□90mm

K9□S120F□-SU



SPECIFICATIONS

120W continuous rating, four poles

Model	Voltage (V)	Frequency (Hz)	Speed Range (rpm)	Permissible Torque		Start T. (N*m/ Kgf*cm)	Current (A)	Condenser (μF)
				1200rpm (N*m/ Kgf*cm)	90rpm (N*m/ Kgf*cm)			
K9I□120FJ-SU	100	50	90 ~ 1400	0,83/8,3	0,3/3	0,4/4	3,4	35
		60	90 ~ 1700					
K9I□120FU-SU	110	60	90 ~ 1700	0,83/8,3	0,3/3	0,45/4,5	3,2	30
	115							
K9I□120FL-SU	200	50	90 ~ 1400	0,83/8,3	0,28/2,8	0,4/4	1,4	8,5
		60	90 ~ 1700				1,5	8
K9I□120FC-SU	220	50	90 ~ 1400	0,83/8,3	0,28/2,8	0,4/4	1,2	6
	230		90 ~ 1700					
	220	60	90 ~ 1400	0,8/8	0,3/3	0,45/4,5	1,4	7
	230		90 ~ 1700					
K9I□120FD-SU	240	50	90 ~ 1400	0,83/8,3	0,28/2,8	0,4/4	1,3	6

* □ : SHAFT SHAPE (S : STRAIGHT, G : PINION)

RATED TORQUE OF GEARHEAD

● Single-phase 100V/115V

unit = above : N · m / below : kgfcm

Model	Ratio	Speed(rpm)																							
		3	3,6	5	6	7,5	9	10	12,5	15	18	20	25	30	36	40	50	60	75	90	100	120	150	180	200
K9I□120F□-SU K9P□B, BF	1200	2,02 20,2	2,42 24,2	3,36 33,6	4,03 40,3	5,04 50,4	6,05 60,5	6,72 67,2	7,56 75,6	9,08 90,8	10,89 108,9	12,10 121,0	13,61 136,1	16,34 163,4	19,60 196,0	20 200	20 200	20 200	20 200	20 200	20 200	20 200	20 200	20 200	20 200
	90	0,73 7,3	0,87 8,7	1,22 12,2	1,46 14,6	1,82 18,2	2,19 21,9	2,43 24,3	2,73 27,3	3,28 32,8	3,94 39,4	4,37 43,7	4,92 49,2	5,90 59,0	7,09 70,9	7,87 78,7	9,84 98,4	11,81 118,1	13,29 132,9	15,94 159,4	17,71 177,1	20 200	20 200	20 200	20 200

● Single-phase 200V/240V

unit = above : N · m / below : kgfcm

Model	Ratio	Speed(rpm)																							
		3	3,6	5	6	7,5	9	10	12,5	15	18	20	25	30	36	40	50	60	75	90	100	120	150	180	200
K9I□120F□-SU K9P□B, BF	1200	200V/220V/230V 240V/50HZ	2,02 20,2	2,42 24,2	3,36 33,6	4,03 40,3	5,04 50,4	6,05 60,5	6,72 67,2	7,56 75,6	9,08 90,8	10,89 108,9	12,10 121,0	13,61 136,1	16,34 163,4	19,60 196,0	20 200	20 200	20 200	20 200	20 200	20 200	20 200	20 200	20 200
		200V/220V 230V/60HZ	1,94 19,4	2,33 23,3	3,24 32,4	3,89 38,9	4,86 48,6	5,83 58,3	6,48 64,8	7,29 72,9	8,75 87,5	10,50 105,0	11,66 116,6	13,12 131,2	15,75 157,5	18,90 189,0	20 200	20 200	20 200	20 200	20 200	20 200	20 200	20 200	20 200
	90	200V/220V/230V 240V/50HZ	0,68 6,8	0,82 8,2	1,13 11,3	1,36 13,6	1,70 17,0	2,04 20,4	2,27 22,7	2,55 25,5	3,06 30,6	3,67 36,7	4,08 40,8	4,59 45,9	5,51 55,1	6,61 66,1	7,35 73,5	9,19 91,9	11,02 110,2	12,40 124,0	14,88 148,8	16,53 165,3	19,84 198,4	20 200	20 200
		200V/220V 230V/50HZ	0,73 7,3	0,87 8,7	1,22 12,2	1,46 14,6	1,82 18,2	2,19 21,9	2,43 24,3	2,73 27,3	3,28 32,8	3,94 39,4	4,37 43,7	4,92 49,2	5,90 59,0	7,09 70,9	7,87 78,7	9,84 98,4	11,81 118,1	13,29 132,9	15,94 159,4	17,71 177,1	20 200	20 200	20 200

* Gearhead and decimal gearhead are sold separately.

* The code in □ of gearhead model is for gear ratio.

* ■ color indicates that the output shaft of the geared motor rotates in the same direction as the output shaft of the motor. Others indicate rotation in the opposite direction.

* If you are to have less ratio than the ratio in the table, you can install the decimal gearhead, which has one tenth of the ratio, between the gearhead and the motor. In this case, the permissible torque is 20N · m/200kgfcm.

* RPM is based on motor's synchronous rpm (50HZ:1500rpm, 60HZ:1800rpm) and calculated by dividing gear ratio. Actual rpm is 2~20% less than indicating rpm according to load size.

GEARHEADS

RATED TORQUE OF GEARHEAD

● Single-phase 100V/115V

unit = above : N · m / below : kgfcm

Model	Ratio																								
		Speed(rpm)																							
Motor/Gearhead	Speed(rpm)	3	3,6	5	6	7,5	9	10	12,5	15	18	20	25	30	36	40	50	60	75	90	100	120	150	180	200
K9I□120F□-SU K9P□BU, BUF	1200	2,02 20,2	2,42 24,2	3,36 33,6	4,03 40,3	5,04 50,4	6,05 60,5	6,72 67,2	7,56 75,6	9,08 90,8	10,89 108,9	12,10 121,0	13,61 136,1	16,34 163,4	19,60 196,0	21,78 217,8	27,23 272,3	30 300	30 300	30 300	30 300	30 300	30 300	30 300	30 300
	90	0,73 7,3	0,87 8,7	1,22 12,2	1,46 14,6	1,82 18,2	2,19 21,9	2,43 24,3	2,73 27,3	3,28 32,8	3,94 39,4	4,37 43,7	4,92 49,2	5,90 59,0	7,09 70,9	7,87 78,7	9,84 98,4	11,81 118,1	13,29 132,9	15,94 159,4	17,71 177,1	21,26 212,6	26,57 265,7	30 300	30 300

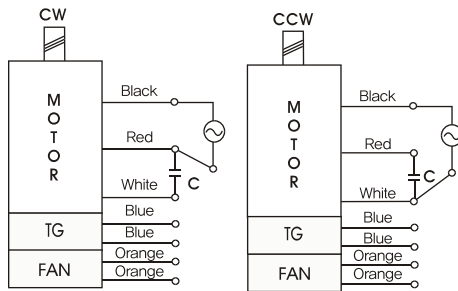
● Single-phase 200V/240V

unit = above : N · m / below : kgfcm

Model	Ratio																								
		Speed(rpm)																							
Motor/Gearhead	Speed(rpm)	3	3,6	5	6	7,5	9	10	12,5	15	18	20	25	30	36	40	50	60	75	90	100	120	150	180	200
K9I□120F□-SU K9P□BU, BUF	1200	200V/220V/230V 240V/50Hz	2,02 20,2	2,42 24,2	3,36 33,6	4,03 40,3	5,04 50,4	6,05 60,5	6,72 67,2	7,56 75,6	9,08 90,8	10,89 108,9	12,10 121,0	13,61 136,1	16,34 163,4	19,60 196,0	21,78 217,8	27,23 272,3	30 300	30 300	30 300	30 300	30 300	30 300	30 300
		200V/220V 230V/60Hz	1,94 19,4	2,33 23,3	3,24 32,4	3,89 38,9	4,86 48,6	5,83 58,3	6,48 64,8	7,29 72,9	8,75 87,5	10,50 105,0	11,66 116,6	13,12 131,2	15,75 157,5	18,90 189,0	21,00 210,0	26,24 262,4	30 300	30 300	30 300	30 300	30 300	30 300	30 300
	90	200V/220V/230V 240V/50Hz	0,68 6,8	0,82 8,2	1,13 11,3	1,36 13,6	1,70 17,0	2,04 20,4	2,27 22,7	2,55 25,5	3,06 30,6	3,67 36,7	4,08 40,8	4,59 45,9	5,51 55,1	6,61 66,1	7,35 73,5	9,19 91,9	11,02 110,2	12,40 124,0	14,88 148,8	16,53 165,3	19,84 198,4	24,80 248,0	29,76 297,6
		200V/220V 230V/60Hz	0,73 7,3	0,87 8,7	1,22 12,2	1,46 14,6	1,82 18,2	2,19 21,9	2,43 24,3	2,73 27,3	3,28 32,8	3,94 39,4	4,37 43,7	4,92 49,2	5,90 59,0	7,09 70,9	7,87 78,7	9,84 98,4	11,81 118,1	13,29 132,9	15,94 159,4	17,71 177,1	21,26 212,6	26,57 265,7	30 300

- * Gearhead and decimal gearhead are sold separately.
- * The code in □ of gearhead model is for gear ratio.
- * ■ color indicates that the output shaft of the geared motor rotates in the same direction as the output shaft of the motor. Others indicate rotation in the opposite direction.
- * If you are to have less ratio than the ratio in the table, you can install the decimal gearhead, which has one tenth of the ratio, between the gearhead and the motor. In this case, the permissible torque is 30N · m/300kgfcm.
- * RPM is based on motor's synchronous rpm (50Hz:1500rpm, 60Hz:1800rpm) and calculated by dividing gear ratio. Actual rpm is 2~20% less than indicating rpm according to load size.

CONNECTION DIAGRAMS



DIMENSION TABLE

PART No.	M	Application Model
01	195	50Hz
02	175	60Hz

*The direction of motor rotation is as viewed from the front shaft end of the motor

GEARHEADS

DIMENSIONS

K9P□B



K9P□BF, BUF

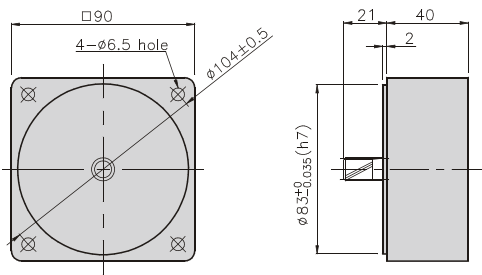


K9P□BU



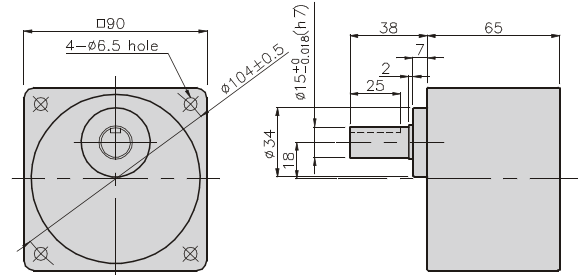
DECIMAL GEARHEAD

K9P10BX



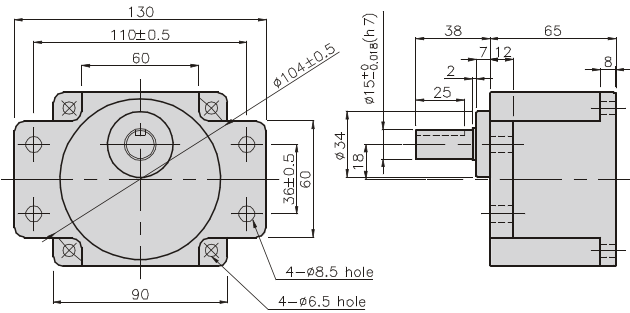
GEARHEAD

K9P□B



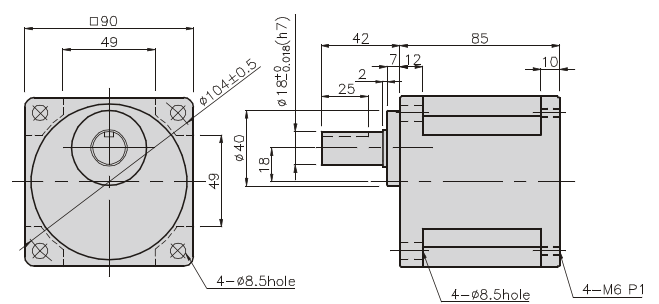
GEARHEAD

K9P□BF



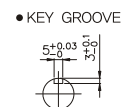
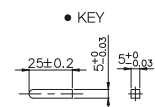
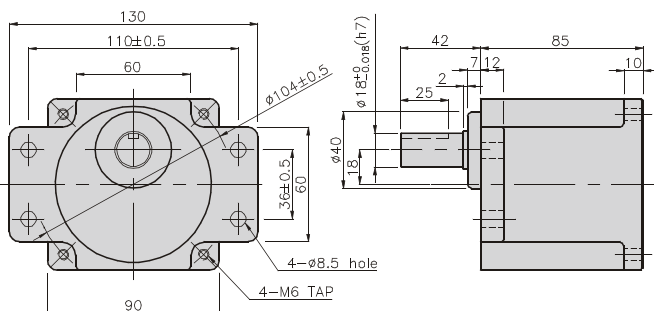
GEARHEAD

K9P□BU



GEARHEAD

K9P□BUF



GEARHEADS

DIMENSIONS

K9IP120F□-SU + K9P□B



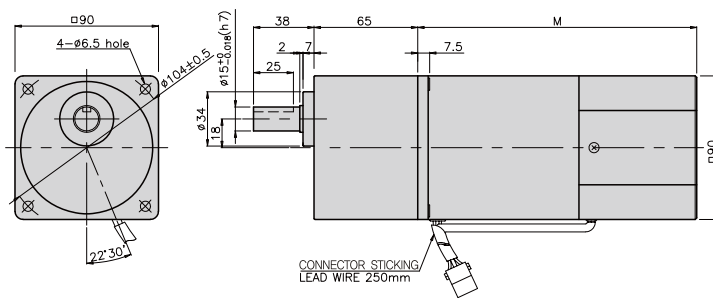
K9IP120F□-SU + K9P□BF, BUF



K9IP120F□-SU + K9P□BU



K9IP120F□-SU + K9P□B



WEIGHT

PART	WEIGHT(kg)
MOTOR	3,54
DECIMAL GEAR HEAD	0,62

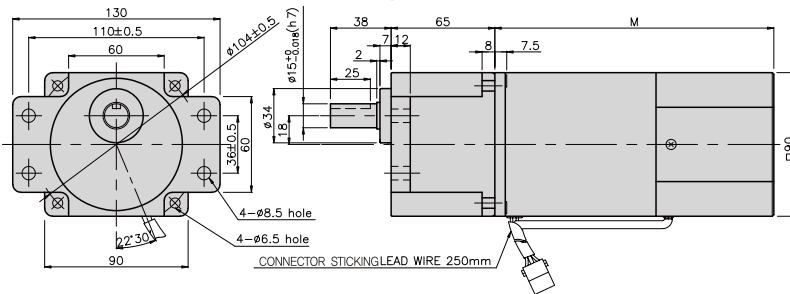
DIMENSION TABLE

PART No.	M	Application Model
01	155	50Hz
02	135	60Hz

DIMENSION TABLE

PART No.	L	Application Model	Mounting BOLT
01	65	K9P3~200B	M6 P1,0 X 95
02	40	K9P10BX	M6 P1,0 X 140

K9IP120F□-SU + K9P□BF



WEIGHT

PART	WEIGHT(kg)
K9P3~10B	1,22
K9P12,5~20B	1,32
K9P25~60B	1,42
K9P75~200B	1,45

DIMENSION TABLE

PART No.	L	Application Model	Mounting BOLT
01	65	K9P3~200BF	M6 P1,0 X 25
02	40	K9P10BX	M6 P1,0 X 65

WEIGHT

PART	WEIGHT(kg)
K9P3~10BF	1,22
K9P12,5~20BF	1,30
K9P25~60BF	1,42
K9P75~200BF	1,44

DIMENSION TABLE

PART No.	L	Application Model	Mounting BOLT
01	85	K9P3~200BU	M6 P1,0 X 20
02	40	K9P10BX	M6 P1,0 X 60

WEIGHT

PART	WEIGHT(kg)
K9P3~10BU	1,44
K9P12,5~20BU	1,55
K9P25~60BU	1,69
K9P75~200BU	1,74

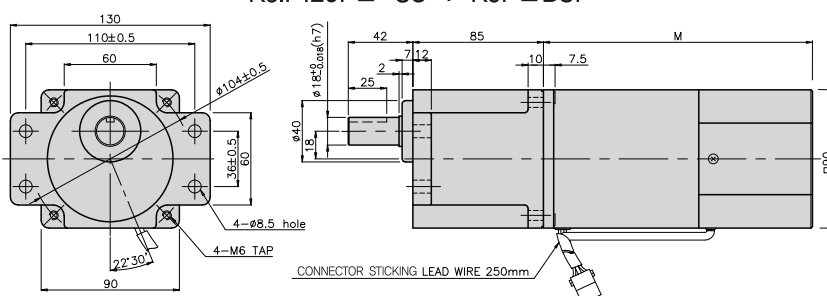
DIMENSION TABLE

PART No.	L	Application Model	Mounting BOLT
01	85	K9P3~200BUF	M6 P1,0 X 20
02	40	K9P10BX	M6 P1,0 X 65

WEIGHT

PART	WEIGHT(kg)
K9P3~10BUF	1,50
K9P12,5~20BUF	1,62
K9P25~60BUF	1,76
K9P75~200BUF	1,82

K9IP120F□-SU + K9P□BUF

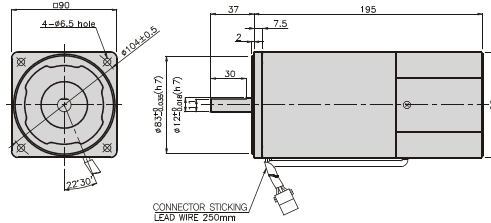


SPEED CONTROL MOTOR - SU SERIES

180W

□90mm

K9□180F□-SU



SPECIFICATIONS

180W continuous rating, four poles

Model	Voltage (V)	Frequency (Hz)	Speed Range (rpm)	Permissible Torque		Start T. (N*m/ Kgf*cm)	Current (A)	Condenser (μF)
				1200rpm (N*m/ Kgf*cm)	90rpm (N*m/ Kgf*cm)			
K9□180FJ-SU	100	50	90 ~ 1400	0,9/9	0,35/3,5	0,6/6	5,2	50
		60	90 ~ 1700			0,65/6,5	5,5	
K9□180FU-SU	110	60	90 ~ 1700	0,9/9	0,35/3,5	0,52/5,2	4,8	35
	115					0,55/5,5	5	
K9□180FL-SU	200	50	90 ~ 1400	0,9/9	0,3/3	0,5/5	2,2	12
		60	90 ~ 1700			0,42/4,2		
K9□180FC-SU	220	50	90 ~ 1400	0,9/9	0,3/3	0,45/4,5	2,2	8
		60	90 ~ 1700			0,42/4,2	2	
	230	50	90 ~ 1400	1/10	0,33/3,3	0,53/5,3	2,4	
		60	90 ~ 1700			0,5/5	2,2	
K9□180FD-SU	240	50	90 ~ 1400	1/10	0,33/3,3	0,6/6	2	8

* □ : SHAFT SHAPE (S : STRAIGHT, G : PINION)

RATED TORQUE OF GEARHEAD

● Single-phase 100V/115V

unit = above : N · m / below : kgfcm

Model	Ratio Speed(rpm)	Ratio																								
		3	3,6	5	6	7,5	9	10	12,5	15	18	20	25	30	36	40	50	60	75	90	100	120	150	180	200	
K9□180F□-SU K9P□BU, BUF	1200	2,19 2,19	2,62 26,2	3,65 36,5	4,37 43,7	5,47 54,7	6,56 65,6	7,29 72,9	8,20 82,0	9,84 98,4	11,81 118,1	13,12 131,2	14,76 147,6	17,71 177,1	21,26 212,6	23,62 236,2	29,52 295,2	30 300	30 300	30 300	30 300	30 300	30 300	30 300	30 300	30 300
	90	0,85 8,5	1,02 10,2	1,42 14,2	1,70 17,0	2,13 21,3	2,55 25,5	2,84 28,4	3,19 31,9	3,83 38,3	4,59 45,9	5,10 51,0	5,74 57,4	6,89 68,9	8,27 82,7	9,19 91,9	11,48 114,8	13,78 137,8	15,50 155,0	18,60 186,0	20,67 206,7	24,80 248,0	30 300	30 300	30 300	30 300

● Single-phase 200V/240V

unit = above : N · m / below : kgfcm

Model	Ratio Speed(rpm)	Ratio																								
		3	3,6	5	6	7,5	9	10	12,5	15	18	20	25	30	36	40	50	60	75	90	100	120	150	180	200	
K9□180F□-SU K9P□BU, BUF	1200	200V/220V 50Hz/60Hz	2,19 21,9	2,62 26,2	3,65 36,5	4,37 43,7	5,47 54,7	6,56 65,6	7,29 72,9	8,20 82,0	9,84 98,4	11,81 118,1	13,12 131,2	14,76 147,6	17,71 177,1	21,26 212,6	23,62 236,2	29,52 295,2	30 300	30 300	30 300	30 300	30 300	30 300	30 300	30 300
		230V/50Hz/60Hz 240/50Hz	2,43 24,3	2,92 29,2	4,05 40,5	4,86 48,6	6,08 60,8	7,29 72,9	8,10 81,0	3,19 31,9	10,94 109,4	13,12 131,2	14,58 145,8	16,40 164,0	19,68 197	23,62 236	26,24 262	30 300	30 300	30 300	30 300	30 300	30 300	30 300	30 300	30 300
	90	200V/220V 50Hz/60Hz	0,73 7,3	0,87 8,7	1,22 12,2	1,46 14,6	1,82 18,2	2,19 21,9	2,43 24,3	2,73 27,3	3,28 32,8	3,94 39,4	4,37 43,7	4,92 49,2	5,90 59,0	7,09 70,9	7,87 78,7	9,84 98,4	11,81 118,1	13,29 132,9	15,94 159,4	17,71 177,1	21,26 212,6	26,57 265,7	30 300	30 300
		230V/50Hz/60Hz 240/50Hz	0,80 8,0	0,96 9,6	1,34 13,4	1,60 16,0	2,00 20,0	2,41 24,1	2,41 24,1	3,34 33,4	4,01 40,1	4,81 48,1	5,35 53,5	5,41 54,1	6,50 65,0	7,79 77,9	8,66 86,6	10,83 108,3	12,99 129,2	14,61 146,1	17,54 175,4	19,49 194,9	23,38 233,8	29,23 292,3	30 300	30 300

* Gearhead and decimal gearhead are sold separately.

* The code in □ of gearhead model is for gear ratio.

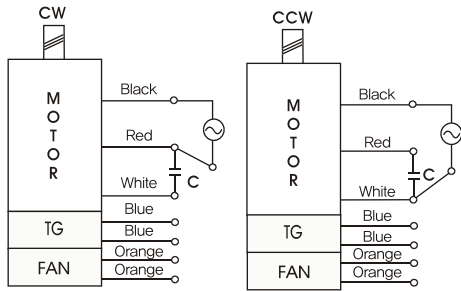
* ■ color indicates that the output shaft of the geared motor rotates in the same direction as the output shaft of the motor. Others indicate rotation in the opposite direction.

* If you are to have less ratio than the ratio in the table, you can install the decimal gearhead, which has one tenth of the ratio, between the gearhead and the motor. In this case, the permissible torque is 30N · m/300kgfcm.

* RPM is based on motor's synchronous rpm (50HZ:1500rpm, 60HZ:1800rpm) and calculated by dividing gear ratio. Actual rpm is 2~20% less than indicating rpm according to load size.

GEARHEADS

CONNECTION DIAGRAMS



※The direction of motor rotation is as viewed from the front shaft end of the motor

DIMENSIONS

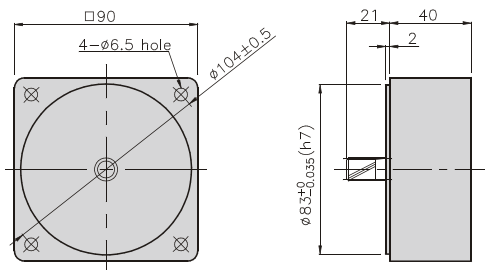
K9P□BU



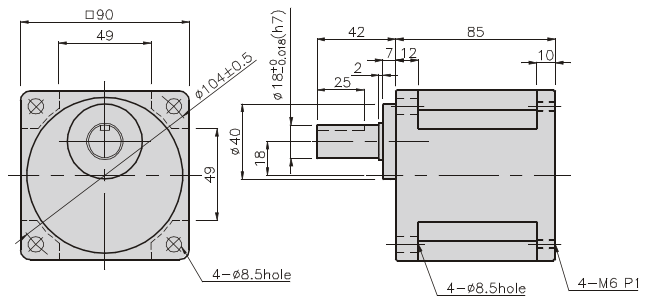
K9P□BUF



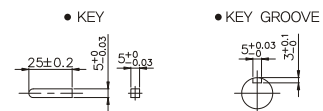
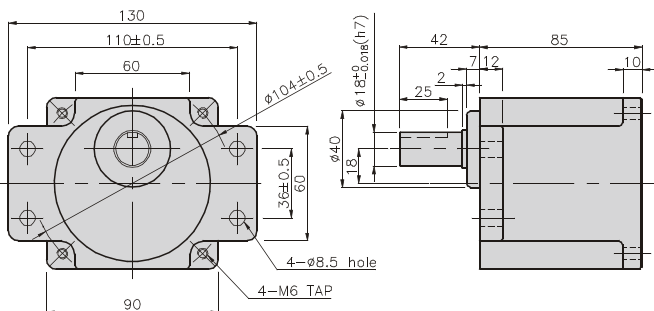
DECIMAL GEARHEAD
K9P10BX



GEARHEAD
K9P□BU



GEARHEAD
K9P□BUF



GEARHEADS

DIMENSIONS

K9IP180F□-SU + K9P□BU



K9IP180F□-SU + K9P□BUF



WEIGHT

PART	WEIGHT(kg)
MOTOR	4,24
DECIMAL GEAR HEAD	0,62

DIMENSION TABLE

PART No.	L	Application Model	Mounting BOLT
01	85	K9P3~200B	M6 P1,0 X 20
02	40	K9P10BX	M6 P1,0 X 60

WEIGHT

PART	WEIGHT(kg)
K9P3~10BU	1,44
K9P12,5~20BU	1,55
K9P25~60BU	1,69
K9P75~200BU	1,74

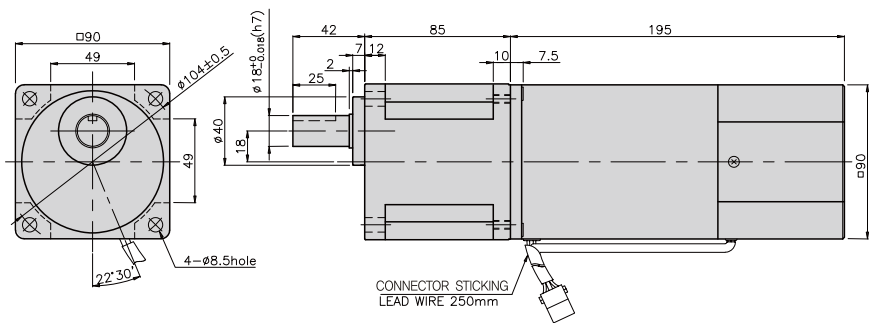
DIMENSION TABLE

PART No.	L	Application Model	Mounting BOLT
01	85	K9P3~200BUF	M6 P1,0 X 20
02	40	K9P10BX	M6 P1,0 X 60

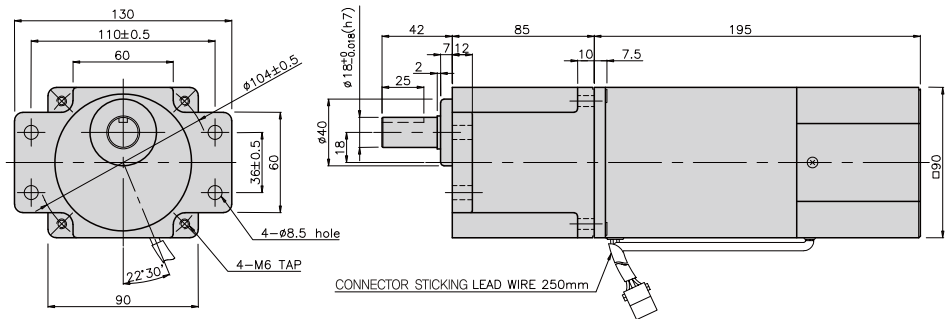
WEIGHT

PART	WEIGHT(kg)
K9P3~10BUF	1,50
K9P12,5~20BUF	1,62
K9P25~60BUF	1,76
K9P75~200BUF	1,82

K9IP180F□-SU + K9P□BU



K9IP180F□-SU + K9P□BUF



INDUCTION MOTOR

60W

□90mm

LEAD WIRE TYPE TERMINAL BOX TYPE

K9IS60F□



K9IS60F□-T, T5



SPECIFICATIONS

60W continuous rating, four poles

Model	Voltage (V)	Frequency (Hz)	Current (A)	Start T. (N·m/ Kgf·Cm)	Rated T. (N·m, Kgf·Cm)	Speed (rpm)	Condenser (μF)	
single-phase	100	50	1,36	0,38/3,8	0,47/4,7	1250	20	
		60	1,37		0,38/3,8	1550		
	110	60	1,21	0,37/3,7	0,38/3,8	1550	16	
			1,27					
	200	50	0,67	0,4/4	0,47/4,7	1250	5	
		60	0,69		0,38/3,8	1550		
	K9I□60FC(-T, -T5)	220	50	0,58	0,38/3,8	0,47/4,7	1250	4
			60	0,57		0,38/3,8	1550	
		230	50	0,63	0,4/4	0,47/4,7	1250	
			60	0,63		0,38/3,8	1550	
	K9I□60FD(-T, -T5)	240	50	0,69	0,44/4,4	0,47/4,7	1250	4
	K9I□60FT(-T, -T5)	200	50	0,49	1,35/13,5	0,45/4,5	1300	-
60			0,45	1,05/10,5	0,38/3,8	1550		
K9I□60FH(-T, -T5)	220	50	0,55	1,6/16	0,435/4,35	1350	-	
		60	0,47	1,2/12	0,37/3,7	1600		
	230	50	0,6	1,65/16,5	0,435/4,35	1350		
		60	0,52	1,3/13	0,37/3,7	1600		
	K9I□60FM(-T, -T5)	380	50	0,34	1,55/15,5	0,435/4,35		1350
			60	0,25	1,19/11,9	0,37/3,7		1600
K9I□60FV(-T, -T5)	400	50	0,37	1,85/18,5	0,435/4,35	1350		
		60	0,28	1,42/14,2	0,37/3,7	1600		
K9I□60FQ(-T, -T5)	415	50	0,26	1,45/14,5	0,45/4,5	1300		
		60	0,21	1,15/11,5	0,37/3,7	1600		
K9I□60FZ(-T, -T5)	440	50	0,28	1,6/16	0,45/4,5	1300		
		60	0,23	1,25/12,5	0,37/3,7	1600		

* □ : SHAFT SHAPE (S : STRAIGHT, P : PINION)

RATED TORQUE OF GEARHEAD

● 50Hz

unit = above : N·m / below : kgfcm

Model Motor/ Gearhead	Speed(rpm)	500	416	300	250	200	166	150	120	100	83	70	60	50	41	37	30	25	20	16	15	12,5	10	8,3	7,5
	Ratio	3	3,6	5	6	7,5	9	10	12,5	15	18	20	25	30	36	40	50	60	75	90	100	120	150	180	200
K9I□60F□(-T, -T5) K9P□B, BF	1,06	1,27	1,76	2,11	2,64	3,17	3,52	3,96	4,76	5,71	6,34	7,14	8,56	10,27	11,42	14,27	17,12	20	20	20	20	20	20	20	20
	10,6	12,7	17,6	21,1	26,4	31,7	35,2	39,6	47,6	57,1	63,4	71,4	85,6	102,7	114,2	142,7	171,2	200	200	200	200	200	200	200	200

● 60Hz

unit = above : N·m / below : kgfcm

Model Motor/ Gearhead	Speed(rpm)	600	500	360	300	240	200	180	144	120	100	90	72	60	50	45	36	30	24	20	18	15	12	10	9
	Ratio	3	3,6	5	6	7,5	9	10	12,5	15	18	20	25	30	36	40	50	60	75	90	100	120	150	180	200
K9I□60F□(-T, -T5) K9P□B, BF	0,90	1,08	1,50	1,80	2,25	2,70	3,00	3,37	4,05	4,86	5,39	6,07	7,28	8,74	9,71	12,14	14,57	16,39	20	20	20	20	20	20	20
	9,0	10,8	15,0	18,0	22,5	27,0	30,0	33,7	40,5	48,6	53,9	60,7	72,8	87,4	97,1	121,4	145,7	163,9	200	200	200	200	200	200	200

* Gearhead and decimal gearhead are sold separately.

* The code in □ of gearhead model is for gear ratio.

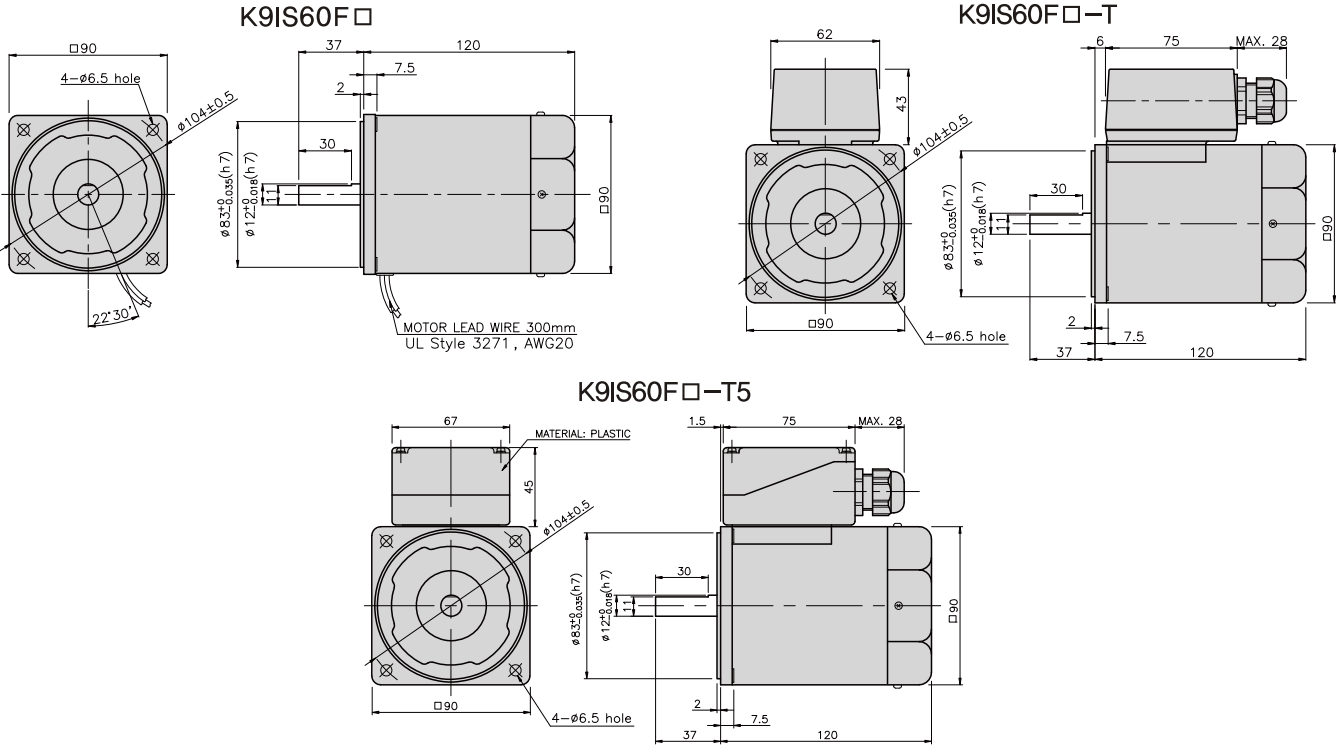
* ■ color indicates that the output shaft of the geared motor rotates in the same direction as the output shaft of the motor. Others indicate rotation in the opposite direction.

* If you are to have less ratio than the ratio in the table, you can install the decimal gearhead, which has one tenth of the ratio, between the gearhead and the motor. In this case, the permissible torque is 20N·m/200kgfcm.

* RPM is based on motor's synchronous rpm (50Hz:1500rpm, 60Hz:1800rpm) and calculated by dividing gear ratio. Actual rpm is 2~20% less than indicating rpm according to load size.

GEARHEADS

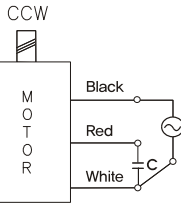
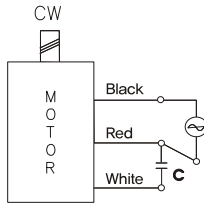
DIMENSIONS



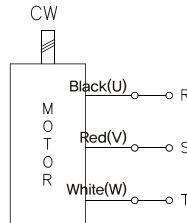
CONNECTION DIAGRAMS

K9IS60F□

single phase motor



three phase motor

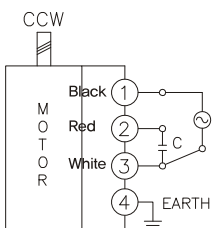
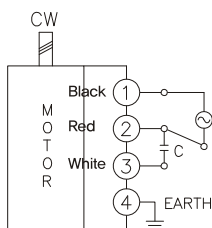


connecting two leadwires of U,V,W in turns

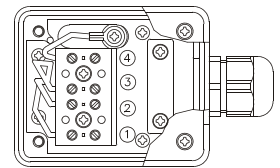
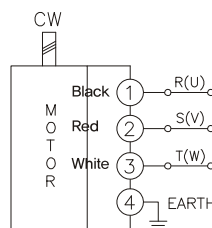
The direction of motor rotation is as viewed from the front shaft end of the motor

K9IS60F□-T

single phase motor



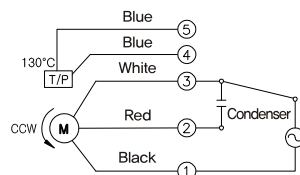
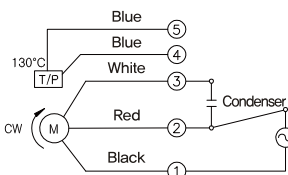
three phase motor



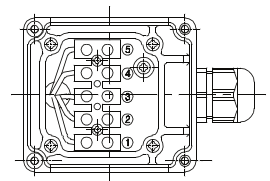
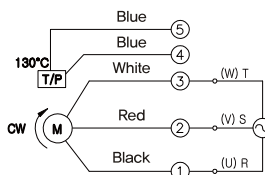
The direction of motor rotation is as viewed from the front shaft end of the motor

K9IS60F□-T5

single phase motor



three phase motor



connecting two leadwires of U,V,W in turns

The direction of motor rotation is as viewed from the front shaft end of the motor

GEARHEADS

DIMENSIONS

K9P□B

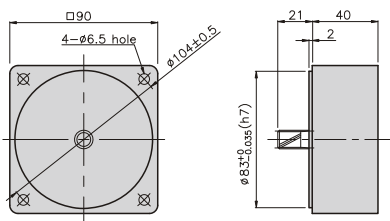


K9P□BF



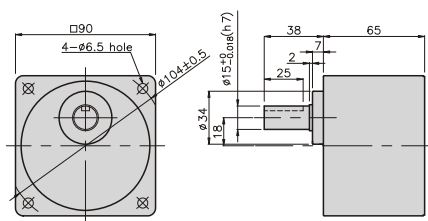
DECIMAL GEARHEAD

K9P10BX



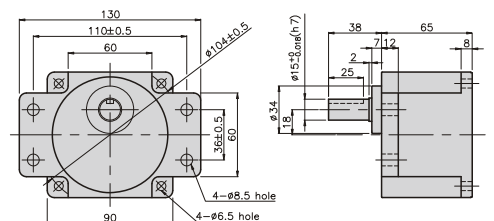
GEAR HEAD

K9P□B

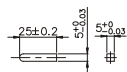


GEARHEAD

K9P□BF



• KEY



• KEY GROOVE



• KEY



• KEY GROOVE



GEARHEADS

DIMENSIONS

K9IP60F□ + K9P□B



K9IP60F□ + K9P□BF



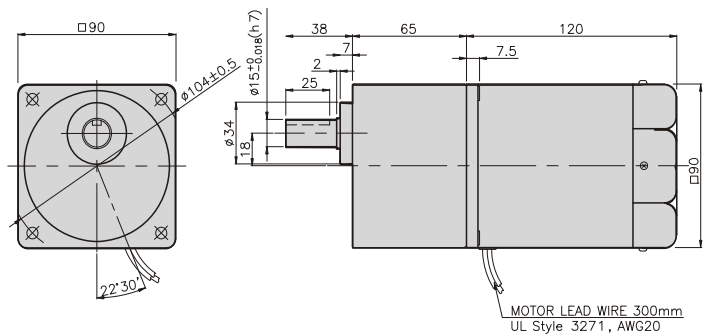
DIMENSION TABLE

PART No	L	Application Model	Mounting BOLT
01	65	K9P3~200B	M6 P1,0 X 95
02	40	K9P10BX	M6 P1,0 X 140

WEIGHT

PART	WEIGHT(kg)	
MOTOR	2,50	
DECIMAL GEAR HEAD	0,62	
GEAR HEAD	K9P3~10B	1,22
	K9P12,5~20B	1,32
	K9P25~60B	1,42
	K9P75~200B	1,45

K9IP60F□ + K9P□B



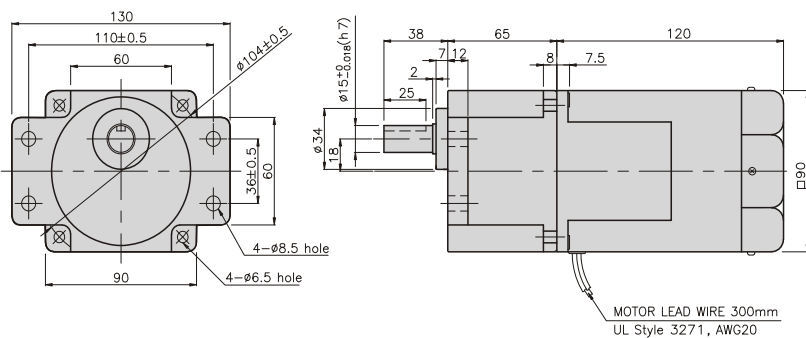
DIMENSION TABLE

PART No	L	Application Model	Mounting BOLT
01	65	K9P3~200BF	M6 P1,0 X 25
02	40	K9P10BX	M6 P1,0 X 65

WEIGHT

PART	WEIGHT(kg)	
MOTOR	3,00	
DECIMAL GEAR HEAD	0,62	
GEAR HEAD	K9P3~10BF	1,22
	K9P12,5~20BF	1,30
	K9P25~60BF	1,42
	K9P75~200BF	1,44

K9IP60F□ + K9P□BF



GEARHEADS

DIMENSIONS

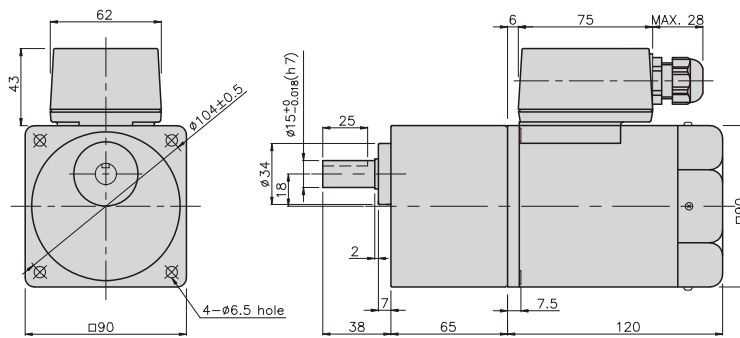
K9IP60F□-T + K9P□B



K9IP60F□-T + K9P□BF



K9IP60F□-T + K9P□B



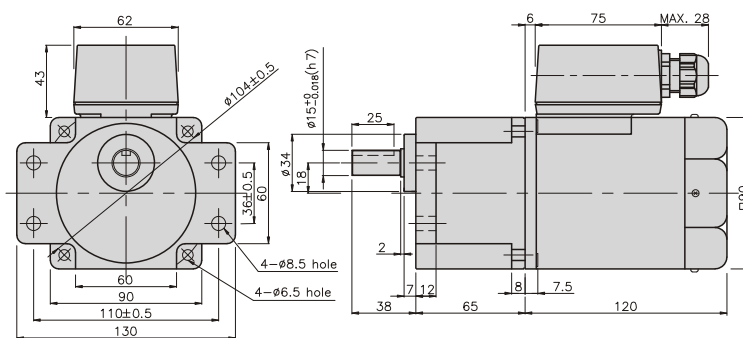
DIMENSION TABLE

PART No	L	Application Model	Mounting BOLT
01	65	K9P3~200B	M6 P1,0 X 95
02	40	K9P10BX	M6 P1,0 X 140

WEIGHT

PART	WEIGHT(kg)	
MOTOR	2,68	
DECIMAL GEAR HEAD	0,62	
GEAR HEAD	K9P3~10B	1,22
	K9P12,5~20B	1,32
	K9P25~60B	1,42
	K9P75~200B	1,45

K9IP60F□-T + K9P□BF



DIMENSION TABLE

PART No	L	Application Model	Mounting BOLT
01	65	K9P3~200B	M6 P1,0 X 95
02	40	K9P10BX	M6 P1,0 X 140

WEIGHT

PART	WEIGHT(kg)	
MOTOR	2,68	
DECIMAL GEAR HEAD	0,62	
GEAR HEAD	K9P3~10BF	1,22
	K9P12,5~20BF	1,32
	K9P25~60BF	1,42
	K9P75~200BF	1,45

GEARHEADS

DIMENSIONS

K9IP60F□-T5 + K9P□B



K9IP60F□-T5 + K9P□BF



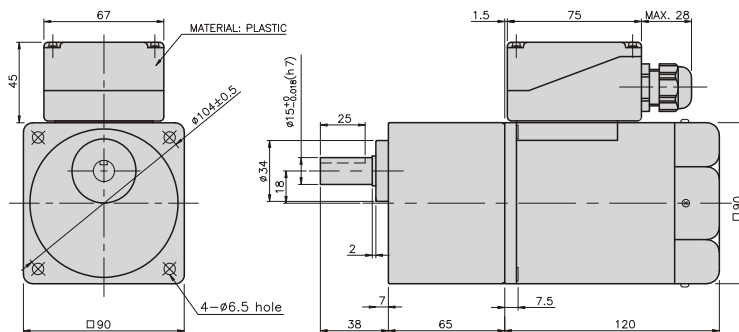
DIMENSION TABLE

PART No	L	Application Model	Mounting BOLT
01	65	K9P3~200B	M6 P1,0 X 95
02	40	K9P10BX	M6 P1,0 X 140

WEIGHT

PART	WEIGHT(kg)	
MOTOR	2,68	
DECIMAL GEAR HEAD	0,62	
GEAR HEAD	K9P3~10B	1,22
	K9P12,5~20B	1,32
	K9P25~60B	1,42
	K9P75~200B	1,45

K9IP60F□-T5 + K9P□B



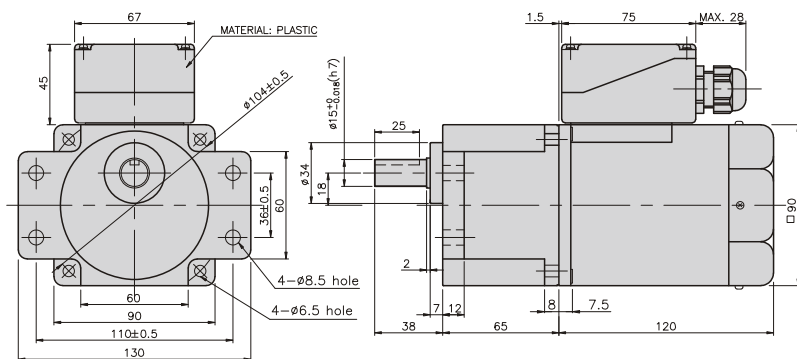
DIMENSION TABLE

PART No	L	Application Model	Mounting BOLT
01	65	K9P3~200BF	M6 P1,0 X 95
02	40	K9P10BX	M6 P1,0 X 140

WEIGHT

PART	WEIGHT(kg)	
MOTOR	2,68	
DECIMAL GEAR HEAD	0,62	
GEAR HEAD	K9P3~10BF	1,22
	K9P12,5~20BF	1,32
	K9P25~60BF	1,42
	K9P75~200BF	1,45

K9IP60F□-T5 + K9P□BF



INDUCTION MOTOR

90W

□90mm

LEAD WIRE TYPE TERMINAL BOX TYPE

K9IS90F□



K9IS90F□-T, T5



SPECIFICATIONS

90W continuous rating, four poles

Model		Voltage (V)	Frequency (Hz)	Current (A)	Start T. (N*m/Kgf*cm)	Rated T. (N*m/Kgf*cm)	Speed (rpm)	Condenser (μF)	
K9I□90FJ(-T, -T5)	single-phase	100	50	2,07	0,55/5,5	0,675/6,75	1300	30	
			60	1,97		0,55/5,5	1600		
K9I□90FU(-T, -T5)		110	60	50	1,47	0,44/4,4	0,55/5,5	1600	20
				60	1,52				
K9I□90FL(-T, -T5)		200	50	50	0,75	0,5/5	0,675/6,75	1300	7
				60	0,97		0,57/5,7	1550	
K9I□90FC(-T, -T5)		220	50	50	0,8	0,45/4,5	0,675/6,75	1300	6
				60	0,9		0,57/5,7	1550	
			230	50	0,87	0,55/5,5	0,675/6,75	1300	
				60	0,93		0,57/5,7	1550	
K9I□90FD(-T, -T5)	240	50	0,85	0,5/5	0,675/6,75	1300	5		
K9I□90FT(-T, -T5)	three-phase	200	50	0,79	2,25/22,5	0,65/6,5	1350	-	
			60	0,72	1,75/17,5	0,55/5,5	1600		
220		50	0,72	2,35/23,5	0,65/6,5	1350	-		
		60	0,63	1,8/18	0,55/5,5	1600			
K9I□90FH(-T, -T5)		230	60	0,86	2,45/24,5	0,65/6,5	1350	-	
			60	0,66	1,95/19,5	0,55/5,5	1600		
K9I□90FM(-T, -T5)		380	50	0,43	2,35/23,5	0,65/6,5	1350	-	
			60	0,37	1,7/17	0,55/5,5	1600		
K9I□90FV(-T, -T5)		400	50	0,52	2,65/26,5	0,65/6,5	1350	-	
			60	0,45	2,1/21	0,55/5,5	1600		
K9I□90FQ(-T, -T5)	415	50	0,39	2/20	0,68/6,8	1300	-		
		60	0,31	1,5/15	0,55/5,5	1600			
K9I□90FZ(-T, -T5)	440	50	0,45	2,1/21	0,68/6,8	1300	-		
		60	0,39	1,7/17	0,55/5,5	1600			

* □ : SHAFT SHAPE (S : STRAIGHT, P : PINION)

RATED TORQUE OF GEARHEAD

● 50Hz

unit = above : N · m / below : kgfcm

Model Motor/ Gearhead	Speed(rpm)	500	416	300	250	200	166	150	120	100	83	75	60	50	41	37	30	25	20	16	15	12,5	10	8,3	7,5
	Ratio	3	3,6	5	6	7,5	9	10	12,5	15	18	20	25	30	36	40	50	60	75	90	100	120	150	180	200
K9I□90F□(-T, -T5) K9P□B, BF	1,58	1,90	2,63	3,16	3,95	4,74	5,27	5,92	7,11	8,53	9,48	10,66	12,79	15,35	17,06	20	20	20	20	20	20	20	20	20	20
	15,8	19,0	26,3	31,6	39,5	47,4	52,7	59,2	71,1	85,3	94,8	106,6	127,9	153,5	170,6	200	200	200	200	200	200	200	200	200	200

● 60Hz

unit = above : N · m / below : kgfcm

Model Motor/ Gearhead	Speed(rpm)	600	500	360	300	240	200	180	144	120	100	90	72	60	50	45	36	30	24	20	18	15	12	10	9
	Ratio	3	3,6	5	6	7,5	9	10	12,5	15	18	20	25	30	36	40	50	60	75	90	100	120	150	180	200
K9I□90F□(-T, -T5) K9P□B, BF	1,34	1,60	2,23	2,67	3,34	4,01	4,46	5,01	6,01	7,22	8,02	9,02	10,83	12,99	14,43	18,04	20	20	20	20	20	20	20	20	20
	13,4	16,0	22,3	26,7	33,4	40,1	44,6	50,1	60,1	72,2	80,2	90,2	108,3	129,9	144,3	180,4	200	200	200	200	200	200	200	200	200

* Gearhead and decimal gearhead are sold separately.

* The code in □ of gearhead model is for gear ratio.

* ■ color indicates that the output shaft of the geared motor rotates in the same direction as the output shaft of the motor. Others indicate rotation in the opposite direction.

* If you are to have less ratio than the ratio in the table, you can install the decimal gearhead, which has one tenth of the ratio, between the gearhead and the motor. In this case, the permissible torque is 20N · m/200kgfcm.

* RPM is based on motor's synchronous rpm (50Hz:1500rpm, 60Hz:1800rpm) and calculated by dividing gear ratio. Actual rpm is 2~20% less than indicating rpm according to load size.

GEARHEADS

RATED TORQUE OF GEARHEAD

● 50Hz

unit = above : N · m / below : kgfcm

Model Motor/ Gearhead	Speed(rpm)	500	416	300	250	200	166	150	120	100	83	75	60	50	41	37	30	25	20	16	15	12,5	10	8,3	7,5
	Ratio	3	3,6	5	6	7,5	9	10	12,5	15	18	20	25	30	36	40	50	60	75	90	100	120	150	180	200
K9I□90F□(-T, T5) K9P□BU, BUF		1,58	190	2,63	3,16	3,95	4,74	5,27	5,92	7,11	8,53	9,48	10,66	12,79	15,35	17,06	21,32	25,59	30	30	30	30	30	30	30
		15,8	19,0	26,3	31,6	39,5	47,4	52,7	59,2	71,1	85,3	94,8	106,6	127,9	153,5	170,6	213,2	255,9	300	300	300	300	300	300	300

● 60Hz

unit = above : N · m / below : kgfcm

Model Motor/ Gearhead	Speed(rpm)	600	500	360	300	240	200	180	144	120	100	90	72	60	50	45	36	30	24	20	18	15	12	10	9
	Ratio	3	3,6	5	6	7,5	9	10	12,5	15	18	20	25	30	36	40	50	60	75	90	100	120	150	180	200
K9I□90F□(-T, T5) K9P□BU, BUF		1,34	1,60	2,23	2,67	3,34	4,01	4,46	5,01	6,01	7,22	8,02	9,02	10,83	12,99	14,43	18,04	21,65	24,36	29,23	30	30	30	30	30
		13,4	16,0	22,3	26,7	33,4	40,1	44,6	50,1	60,1	72,2	80,2	90,2	108,3	129,9	144,3	180,4	216,5	243,6	292,3	300	300	300	300	300

* Gearhead and decimal gearhead are sold separately.

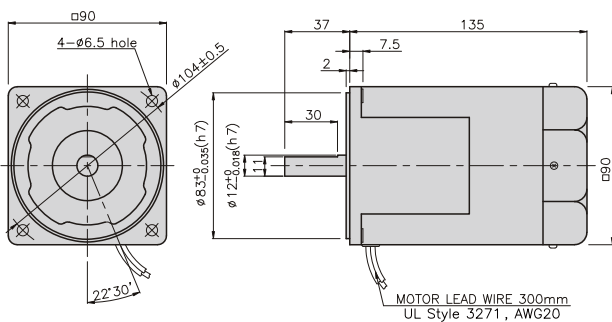
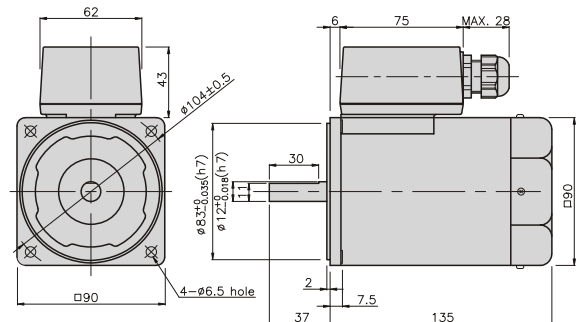
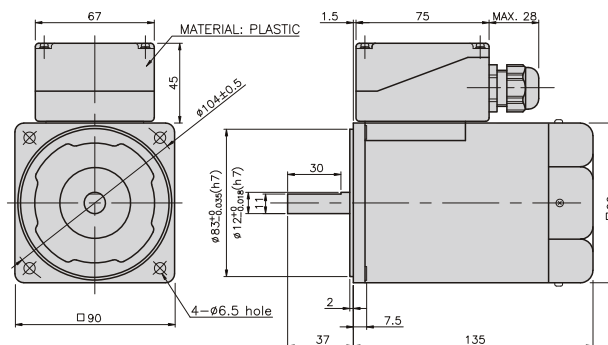
* The code in □ of gearhead model is for gear ratio.

* ■ color indicates that the output shaft of the geared motor rotates in the same direction as the output shaft of the motor. Others indicate rotation in the opposite direction.

* If you are to have less ratio than the ratio in the table, you can install the decimal gearhead, which has one tenth of the ratio, between the gearhead and the motor. In this case, the permissible torque is 30N · m/300kgfcm.

* RPM is based on motor's synchronous rpm (50HZ:1500rpm, 60HZ:1800rpm) and calculated by dividing gear ratio. Actual rpm is 2~20% less than indicating rpm according to load size.

DIMENSIONS

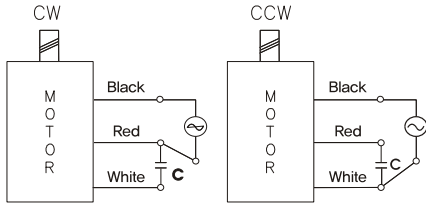
K9IS90F□

K9IS90F□-T

K9IS90F□-T5


GEARHEADS

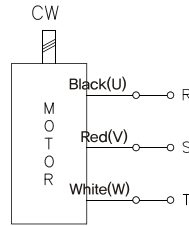
CONNECTION DIAGRAMS

K9IS90F□

single phase motor



three phase motor

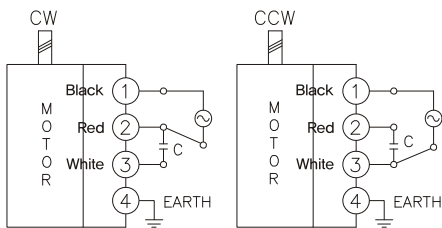


connecting two leadwires of U,V,W in turns

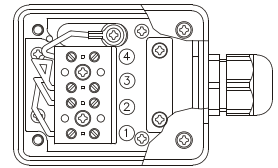
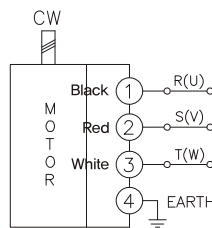
The direction of motor rotation is as viewed from the front shaft end of the motor

K9IS90F□-T

single phase motor



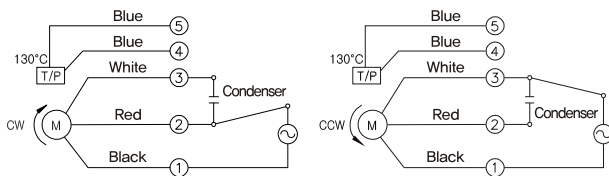
three phase motor



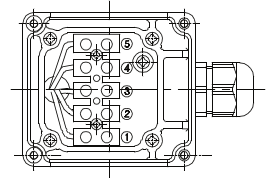
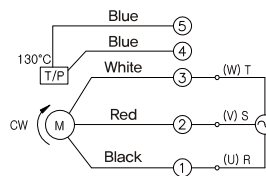
The direction of motor rotation is as viewed from the front shaft end of the motor

K9IS90F□-T5

single phase motor



three phase motor



connecting two leadwires of U,V,W in turns

The direction of motor rotation is as viewed from the front shaft end of the motor

GEARHEADS

DIMENSIONS

K9P□B



K9P□BF, BUF

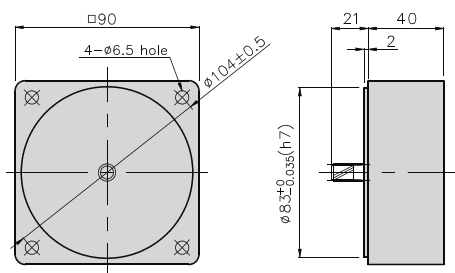


K9P□BU



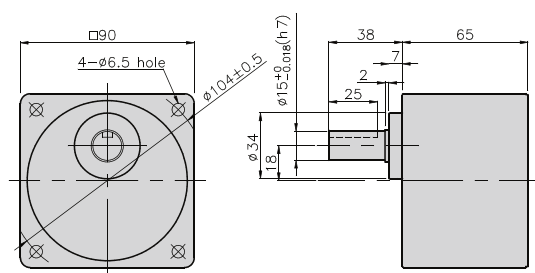
DECIMAL GEARHEAD

K9P10BX



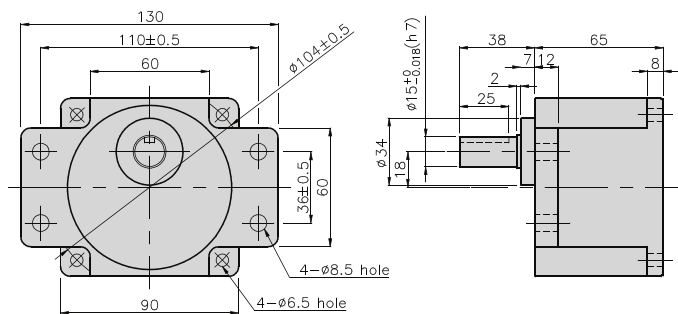
GEAR HEAD

K9P□B



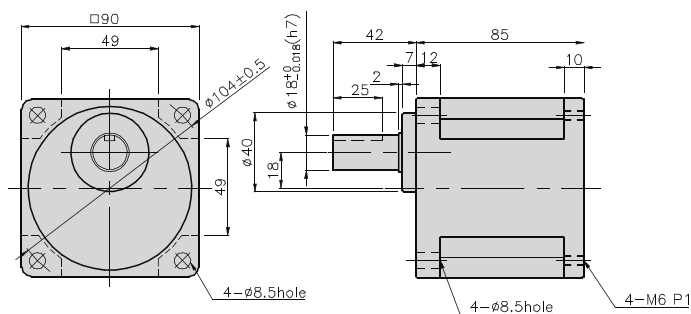
GEARHEAD

K9P□BF



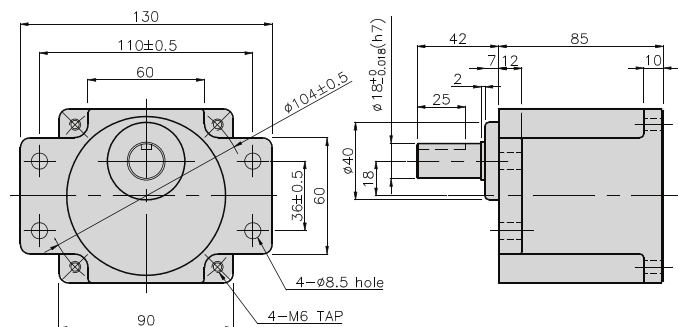
GEARHEAD

K9P□BU



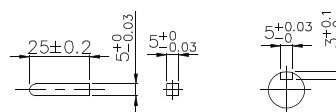
GEARHEAD

K9P□BUF



• KEY

• KEY GROOVE



GEARHEADS

DIMENSIONS

K9IP90F□ + K9P□B



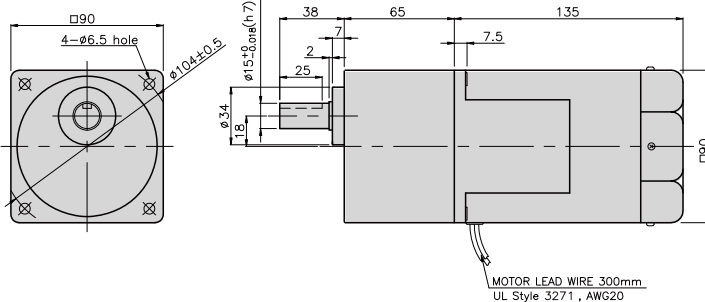
K9IP90F□ + K9P□BF, BUF



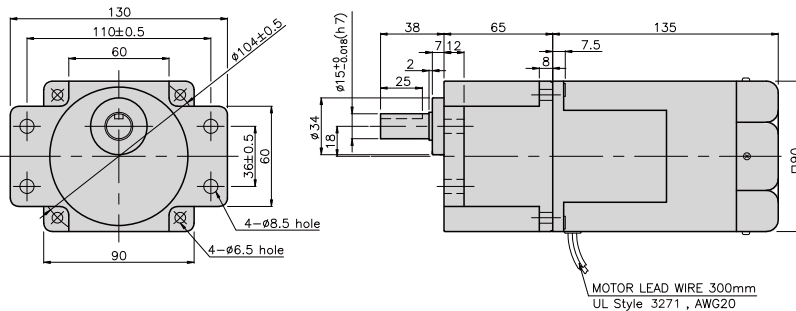
K9IP90F□ + K9P□BU



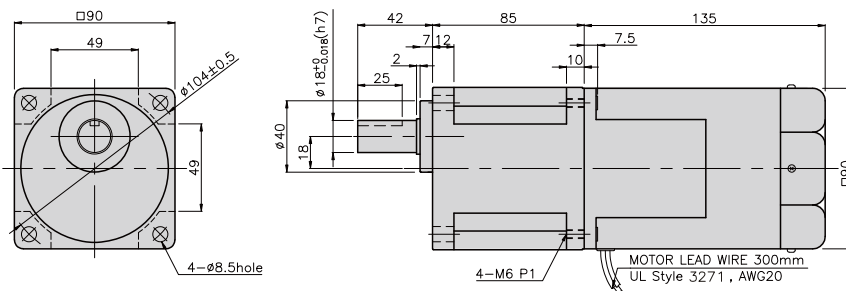
K9IP90F□ + K9P□B



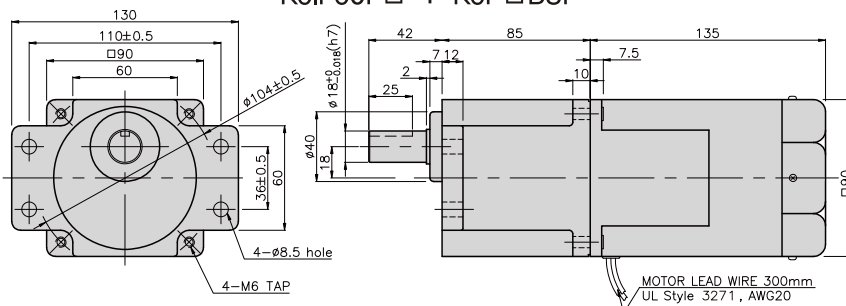
K9IP90F□ + K9P□BF



K9IP90F□ + K9P□BU



K9IP90F□ + K9P□BUF



WEIGHT

PART	WEIGHT(kg)
MOTOR	3,00
DECIMAL GEAR HEAD	0,62

DIMENSION TABLE

PART No	L	Application Model	Mounting BOLT
01	65	K9P3~200B	M6 P1,0 X 95
02	40	K9P10BX	M6 P1,0 X 140

WEIGHT

PART	WEIGHT(kg)
K9P3~10B	1,22
K9P12,5~20B	1,32
K9P25~60B	1,42
K9P75~200B	1,45

DIMENSION TABLE

PART No	L	Application Model	Mounting BOLT
01	65	K9P3~200BF	M6 P1,0 X 25
02	40	K9P10BX	M6 P1,0 X 65

WEIGHT

PART	WEIGHT(kg)
K9P3~10BF	1,22
K9P12,5~20BF	1,30
K9P25~60BF	1,42
K9P75~200BF	1,44

DIMENSION TABLE

PART No	L	Application Model	Mounting BOLT
01	85	K9P3~200BU	M6 P1,0 X 20
02	40	K9P10BX	M6 P1,0 X 60

WEIGHT

PART	WEIGHT(kg)
K9P3~10BU	1,44
K9P12,5~20BU	1,55
K9P25~60BU	1,69
K9P75~200BU	1,74

DIMENSION TABLE

PART No	L	Application Model	Mounting BOLT
01	85	K9P3~200BUF	M6 P1,0 X 20
02	40	K9P10BX	M6 P1,0 X 65

WEIGHT

PART	WEIGHT(kg)
K9P3~10BUF	1,50
K9P12,5~20BUF	1,62
K9P25~60BUF	1,76
K9P75~200BUF	1,82

GEARHEADS

DIMENSIONS

K9IP90F□-T + K9P□B



K9IP90F□-T + K9P□BF, BUF



K9IP90F□-T + K9P□BU



WEIGHT

PART	WEIGHT(kg)
MOTOR	3,18
DECIMAL GEAR HEAD	0,62

DIMENSION TABLE

PART No	L	Application Model	Mounting BOLT
01	65	K9P3~200B	M6 P1,0 X 95
02	40	K9P10BX	M6 P1,0 X 140

WEIGHT

PART	WEIGHT(kg)
K9P3~10B	1,22
K9P12,5~20B	1,32
K9P25~60B	1,42
K9P75~200B	1,45

DIMENSION TABLE

PART No	L	Application Model	Mounting BOLT
01	65	K9P3~200BF	M6 P1,0 X 25
02	40	K9P10BX	M6 P1,0 X 65

WEIGHT

PART	WEIGHT(kg)
K9P3~10BF	1,22
K9P12,5~20BF	1,30
K9P25~60BF	1,42
K9P75~200BF	1,44

DIMENSION TABLE

PART No	L	Application Model	Mounting BOLT
01	85	K9P3~200BU	M6 P1,0 X 20
02	40	K9P10BX	M6 P1,0 X 60

WEIGHT

PART	WEIGHT(kg)
K9P3~10BU	1,44
K9P12,5~20BU	1,55
K9P25~60BU	1,69
K9P75~200BU	1,74

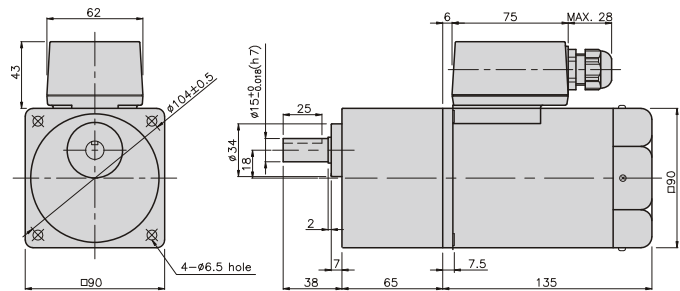
DIMENSION TABLE

PART No	L	Application Model	Mounting BOLT
01	85	K9P3~200BUF	M6 P1,0 X 20
02	40	K9P10BX	M6 P1,0 X 65

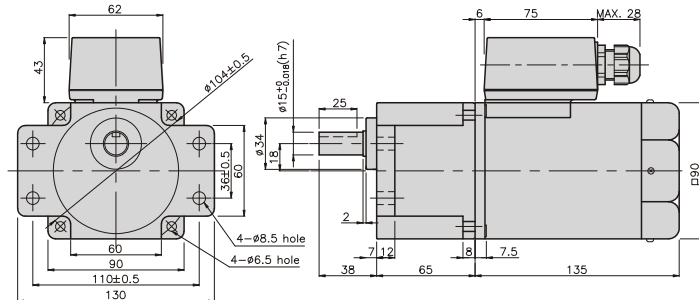
WEIGHT

PART	WEIGHT(kg)
K9P3~10BUF	1,50
K9P12,5~20BUF	1,62
K9P25~60BUF	1,76
K9P75~200BUF	1,82

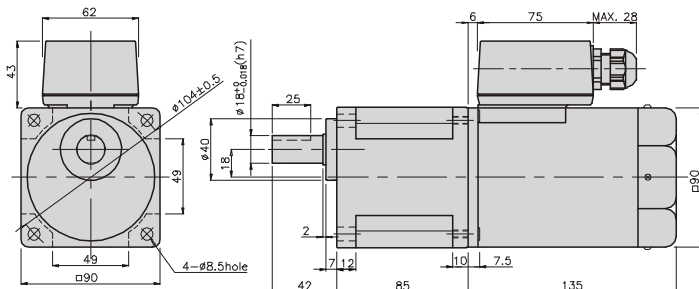
K9IP90F□-T + K9P□B



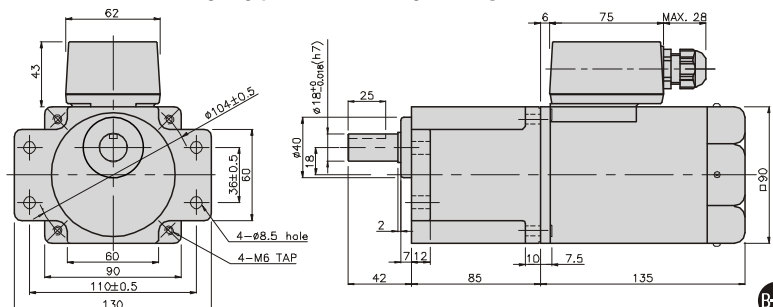
K9IP90F□-T + K9P□BF



K9IP90F□-T + K9P□BU



K9IP90F□-T + K9P□BUF



GEARHEADS

DIMENSIONS

K9IP90F□-T5 + K9P□B



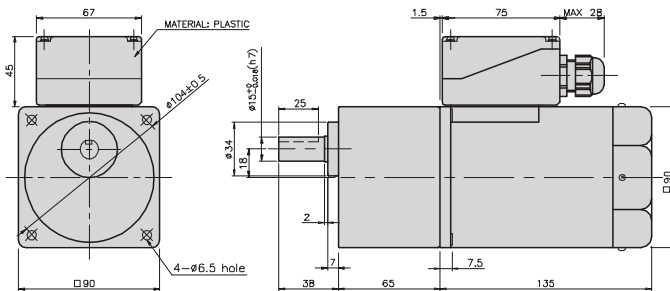
K9IP90F□-T5 + K9P□BF, BUF



K9IP90F□-T5 + K9P□BU



K9IP90F□-T5 + K9P□B



WEIGHT

PART	WEIGHT(kg)
MOTOR	3,18
DECIMAL GEAR HEAD	0,62

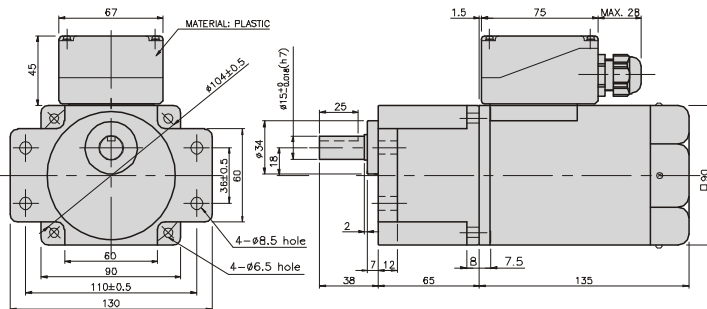
DIMENSION TABLE

PART No	L	Application Model	Mounting BOLT
01	65	K9P3~200B	M6 P1,0 X 95
02	40	K9P10BX	M6 P1,0 X 140

WEIGHT

PART	WEIGHT(kg)
K9P3~10B	1,22
K9P12,5~20B	1,32
K9P25~60B	1,42
K9P75~200B	1,45

K9IP90F□-T5 + K9P□BF



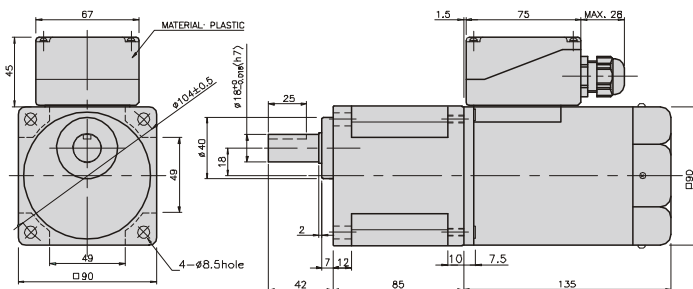
DIMENSION TABLE

PART No	L	Application Model	Mounting BOLT
01	65	K9P3~200BF	M6 P1,0 X 25
02	40	K9P10BX	M6 P1,0 X 65

WEIGHT

PART	WEIGHT(kg)
K9P3~10BF	1,22
K9P12,5~20BF	1,30
K9P25~60BF	1,42
K9P75~200BF	1,44

K9IP90F□-T5 + K9P□BU



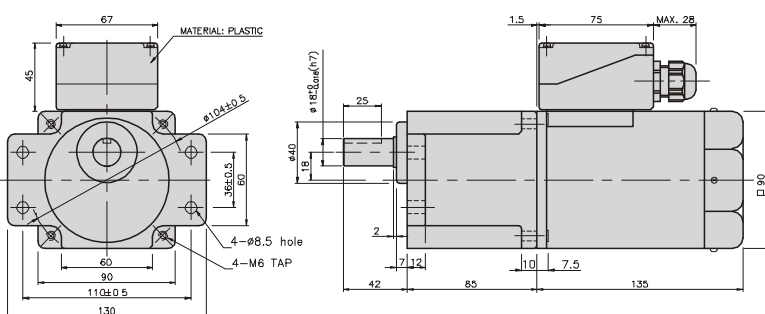
DIMENSION TABLE

PART No	L	Application Model	Mounting BOLT
01	85	K9P3~200BU	M6 P1,0 X 20
02	40	K9P10BX	M6 P1,0 X 60

WEIGHT

PART	WEIGHT(kg)
K9P3~10BU	1,44
K9P12,5~20BU	1,55
K9P25~60BU	1,69
K9P75~200BU	1,74

K9IP90F□-T5 + K9P□BUF



DIMENSION TABLE

PART No	L	Application Model	Mounting BOLT
01	85	K9P3~200BUF	M6 P1,0 X 20
02	40	K9P10BX	M6 P1,0 X 65

WEIGHT

PART	WEIGHT(kg)
K9P3~10BUF	1,50
K9P12,5~20BUF	1,62
K9P25~60BUF	1,76
K9P75~200BUF	1,82

INDUCTION MOTOR

120W

□90mm

LEAD WIRE TYPE
TERMINAL BOX TYPE

K9IS120F□



K9IS120F□-T, T5



SPECIFICATIONS

120W continuous rating, four poles

Model	Voltage (V)	Frequency (Hz)	Current (A)	Start T. (N*m/Kgf*cm)	Rated T. (N*m/Kgf*cm)	Speed (rpm)	Condenser (μF)
K9I□120FJ(-T, -T5)	100	50	2,2	0,6/6	0,9/9	1300	35
		60		0,65/6,5		1600	
K9I□120FU(-T, -T5)	110	60	2,13	0,65/6,6	0,735/7,35	1600	30
	115		2,3	0,7/7			
K9I□120FL(-T, -T5)	200	50	1,07	0,65/6,5	0,9/9	1300	8,5
		60	1,22	0,6/6	0,755/7,55	1550	8
K9I□120FC(-T, -T5)	220	50	0,82	0,55/5,5	0,9/9	1300	6
			230	0,85			
	220	60	1	0,6/6	0,735/7,35	1600	7
			230	1,1			
K9I□120FD(-T, -T5)	240	50	0,9	0,6/6	0,9/9	1300	6

* □ : SHAFT SHAPE (S : STRAIGHT, P : PINION)

RATED TORQUE OF GEARHEAD

● 50Hz

unit = above : N · m / below : kgfcm

Model Motor/ Gearhead	Speed(rpm)	500	416	300	250	200	166	150	120	100	83	75	60	50	41	37	30	25	20	16	15	13	10	8,3	7,5
	Ratio	3	3,6	5	6	7,5	9	10	12,5	15	18	20	25	30	36	40	50	60	75	90	100	120	150	180	200
K9I□120F□(-T, -T5) K9P□B, BF	2,19	2,62	3,65	4,37	5,47	6,56	7,29	8,20	9,84	11,81	13,12	14,76	17,7	20	20	20	20	20	20	20	20	20	20	20	20
	21,9	26,2	36,5	43,7	54,7	65,6	72,9	82,0	98,4	118,1	131,2	147,6	177	200	200	200	200	200	200	200	200	200	200	200	200

● 60Hz

unit = above : N · m / below : kgfcm

Model Motor/ Gearhead	Speed(rpm)	600	500	360	300	240	200	180	144	120	100	90	72	60	50	45	36	30	24	20	18	15	12	10	9
	Ratio	3	3,6	5	6	7,5	9	10	12,5	15	18	20	25	30	36	40	50	60	75	90	100	120	150	180	200
K9I□120F□(-T, -T5) K9P□B, BF	1,79	2,14	2,98	3,57	4,47	5,36	5,95	6,70	8,04	9,64	10,72	12,06	14,5	17,4	19,3	20	20	20	20	20	20	20	20	20	20
	17,9	21,4	29,8	35,7	44,7	53,6	59,5	67,0	80,4	96,4	107,2	120,6	145	174	193	200	200	200	200	200	200	200	200	200	200

* Gearhead and decimal gearhead are sold separately.

* The code in □ of gearhead model is for gear ratio.

* ■ color indicates that the output shaft of the geared motor rotates in the same direction as the output shaft of the motor. Others indicate rotation in the opposite direction.

* If you are to have less ratio than the ratio in the table, you can install the decimal gearhead, which has one tenth of the ratio, between the gearhead and the motor. In this case, the permissible torque is 20N · m/200kgfcm.

* RPM is based on motor's synchronous rpm (50HZ:1500rpm, 60HZ:1800rpm) and calculated by dividing gear ratio. Actual rpm is 2~20% less than indicating rpm according to load size.

GEARHEADS

RATED TORQUE OF GEARHEAD

● 50Hz

unit = above : N · m / below : kgfcm

Model Motor/ Gearhead	Speed(rpm)	500	416	300	250	200	166	150	120	100	83	75	60	50	41	37	30	25	20	16	15	13	10	8,3	7,5
	Ratio	3	3,6	5	6	7,5	9	10	12,5	15	18	20	25	30	36	40	50	60	75	90	100	120	150	180	200
K9I□120F□(-T, -T5) K9P□BU, BUF		2,19	2,62	3,65	4,37	5,47	6,56	7,29	8,20	9,84	11,81	13,12	14,76	17,71	21,26	23,62	29,52	30	30	30	30	30	30	30	30
		21,9	26,2	36,5	43,7	54,7	65,6	72,9	82,0	98,4	118,1	131,2	147,6	177,1	212,6	236,2	295,2	300	300	300	300	300	300	300	300

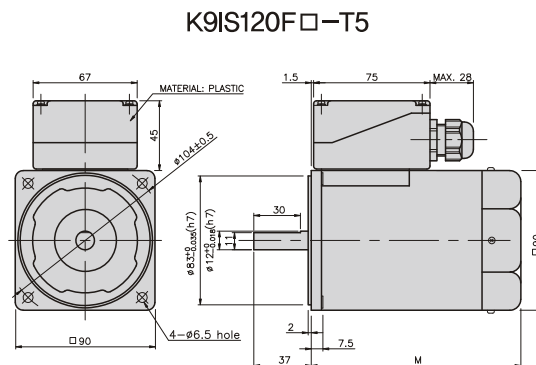
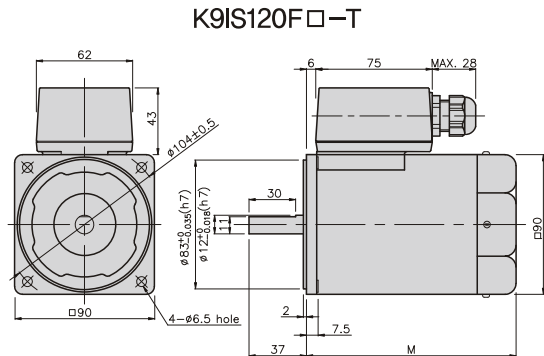
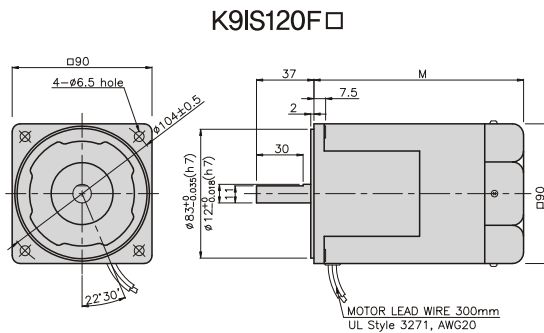
● 60Hz

unit = above : N · m / below : kgfcm

Model Motor/ Gearhead	Speed(rpm)	600	500	360	300	240	200	180	144	120	100	90	72	60	50	45	36	30	24	20	18	15	12	10	9
	Ratio	3	3,6	5	6	7,5	9	10	12,5	15	18	20	25	30	36	40	50	60	75	90	100	120	150	180	200
K9I□120F□(-T, -T5) K9P□BU, BUF		1,79	2,14	2,98	3,57	4,47	5,36	5,95	6,70	8,04	9,64	10,72	12,06	14,47	17,36	19,29	24,11	28,93	30	30	30	30	30	30	30
		17,9	21,4	29,8	35,7	44,7	53,6	59,5	67,0	80,4	96,4	107,2	120,6	144,7	173,6	192,9	241,1	289,3	300	300	300	300	300	300	300

- * Gearhead and decimal gearhead are sold separately.
- * The code in □ of gearhead model is for gear ratio.
- * color indicates that the output shaft of the geared motor rotates in the same direction as the output shaft of the motor. Others indicate rotation in the opposite direction.
- * If you are to have less ratio than the ratio in the table, you can install the decimal gearhead, which has one tenth of the ratio, between the gearhead and the motor. In this case, the permissible torque is 30N · m/300kgfcm.
- * RPM is based on motor's synchronous rpm (50Hz:1500rpm, 60Hz:1800rpm) and calculated by dividing gear ratio. Actual rpm is 2~20% less than indicating rpm according to load size.

DIMENSIONS



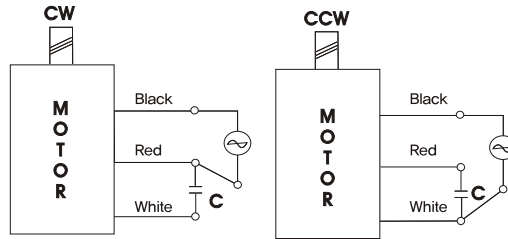
GEARHEADS

CONNECTION DIAGRAMS

K9IS120F□

DIMENSION TABLE

PART No	M	Application Model
01	155	50Hz
02	135	60Hz

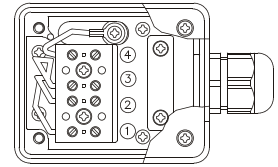
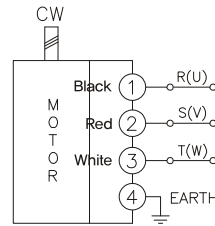
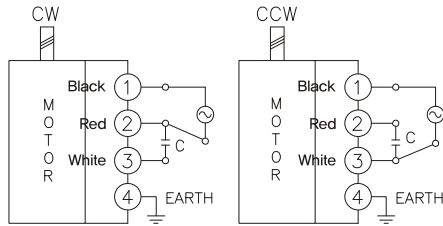


The direction of motor rotation is as viewed from the front shaft end of the motor

K9IS120F□-T

single phase motor

three phase motor

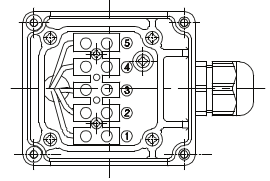
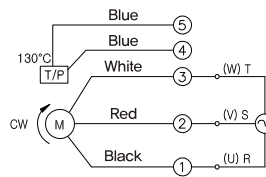
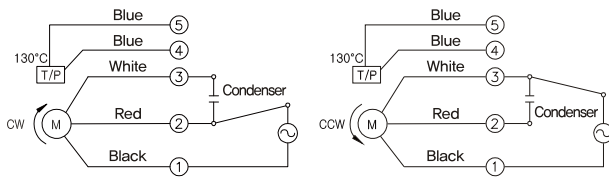


The direction of motor rotation is as viewed from the front shaft end of the motor

K9IS120F□-T5

single phase motor

three phase motor



connecting two leadwires of U,V,W in turns

The direction of motor rotation is as viewed from the front shaft end of the motor

GEARHEADS

DIMENSIONS

K9P□B



K9P□BF, BUF

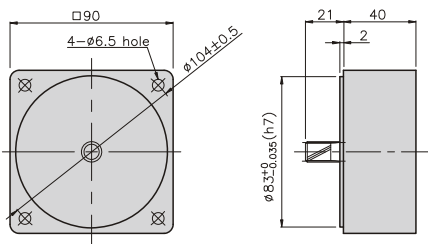


K9P□BU



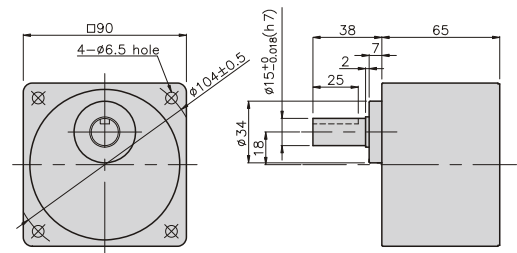
DECIMAL GEARHEAD

K9P10BX



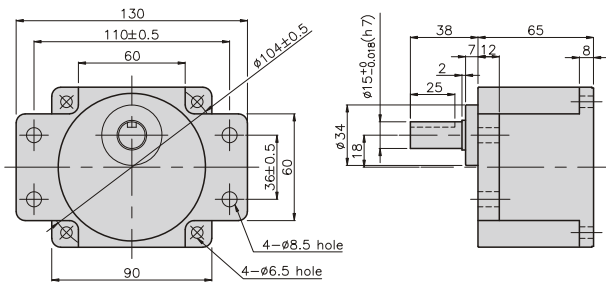
GEAR HEAD

K9P□B



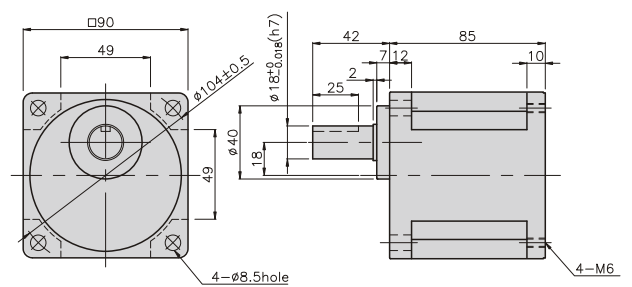
GEARHEAD

K9P□BF



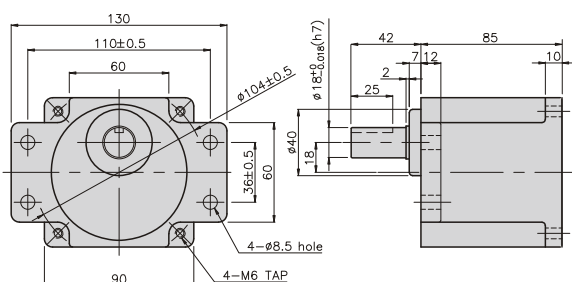
GEARHEAD

K9P□BU

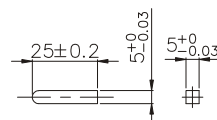


GEARHEAD

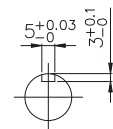
K9P□BUF



● KEY



● KEY GROOVE



GEARHEADS

DIMENSIONS

K9IP120F□ + K9P□B



K9IP120F□ + K9P□BF, BUF



K9IP120F□ + K9P□BU



WEIGHT

PART	WEIGHT(kg)
MOTOR	3,72
DECIMAL GEAR HEAD	0,62

DIMENSION TABLE

PART No	M	Application Model
01	155	50Hz
02	135	60Hz

DIMENSION TABLE

PART No	L	Application Model	Mounting BOLT
01	65	K9P3~200B	M6 P1,0 X 95
02	40	K9P10BX	M6 P1,0 X 140

WEIGHT

PART	WEIGHT(kg)
K9P3~10B	1,22
K9P12,5~20B	1,32
K9P25~60B	1,42
K9P75~200B	1,45

DIMENSION TABLE

PART No	L	Application Model	Mounting BOLT
01	65	K9P3~200BF	M6 P1,0 X 25
02	40	K9P10BX	M6 P1,0 X 65

WEIGHT

PART	WEIGHT(kg)
K9P3~10BF	1,22
K9P12,5~20BF	1,30
K9P25~60BF	1,42
K9P75~200BF	1,44

DIMENSION TABLE

PART No	L	Application Model	Mounting BOLT
01	85	K9P3~200BU	M6 P1,0 X 20
02	40	K9P10BX	M6 P1,0 X 60

WEIGHT

PART	WEIGHT(kg)
K9P3~10BU	1,44
K9P12,5~20BU	1,55
K9P25~60BU	1,69
K9P75~200BU	1,74

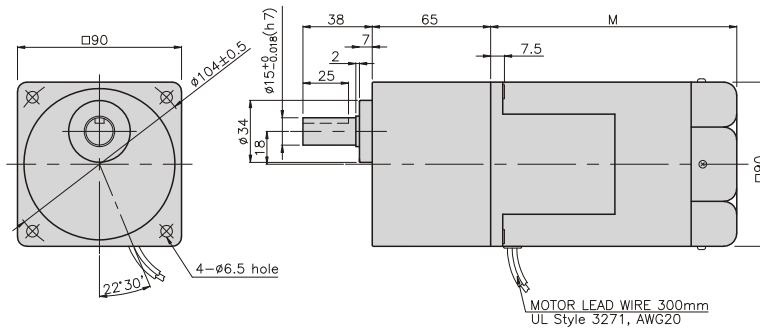
DIMENSION TABLE

PART No	L	Application Model	Mounting BOLT
01	85	K9P3~200BUF	M6 P1,0 X 20
02	40	K9P10BX	M6 P1,0 X 65

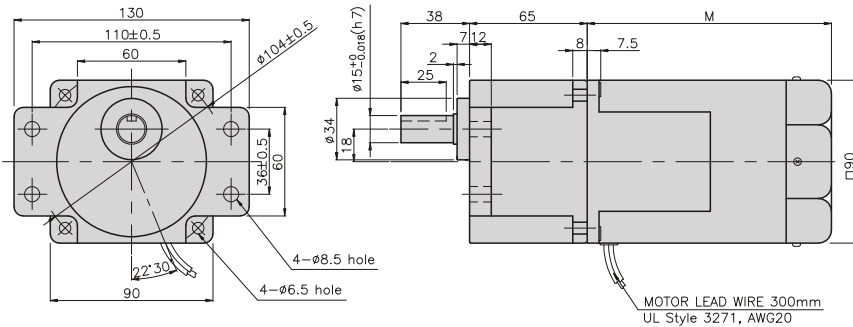
WEIGHT

PART	WEIGHT(kg)
K9P3~10BUF	1,50
K9P12,5~20BUF	1,62
K9P25~60BUF	1,76
K9P75~200BUF	1,82

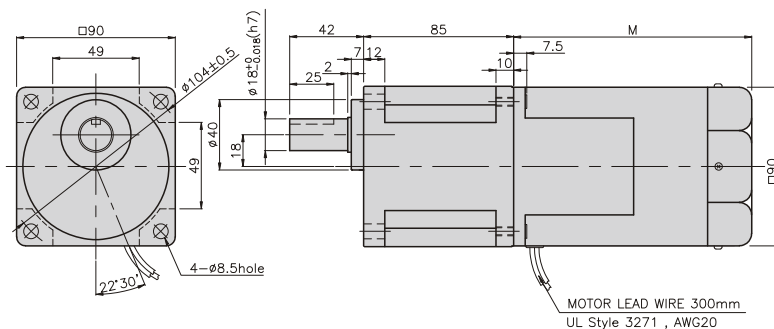
K9IP120F□ + K9P□B



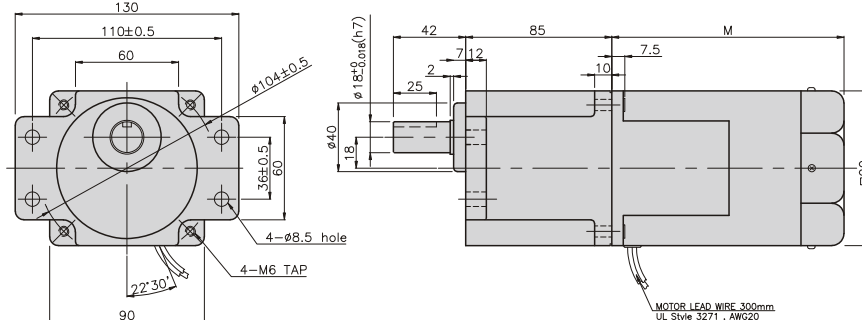
K9IP120F□ + K9P□BF



K9IP120F□ + K9P□BU



K9IP120F□ + K9P□BUF



GEARHEADS

DIMENSIONS

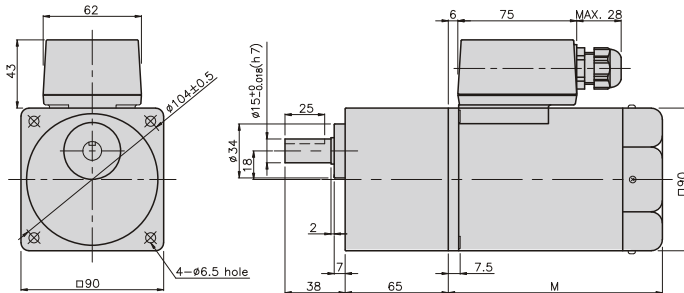
K9IP120F□-T + K9P□B

K9IP120F□-T + K9P□BF, BUF

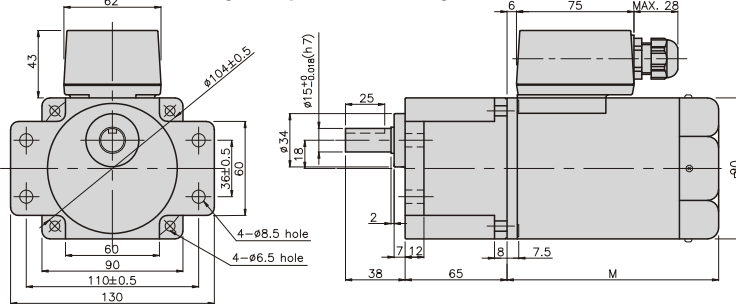
K9IP120F□-T + K9P□BU



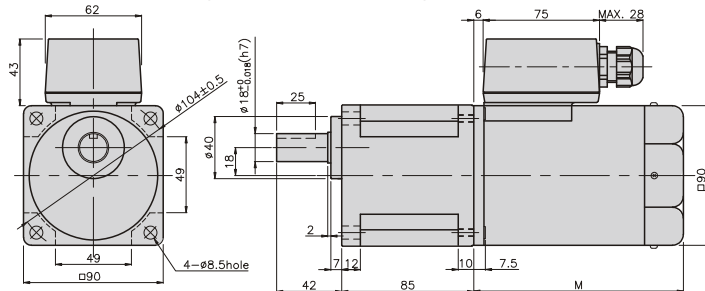
K9IP120F□-T + K9P□B



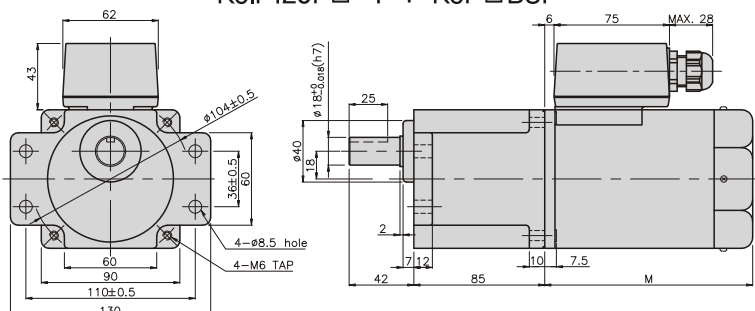
K9IP120F□-T + K9P□BF



K9IP120F□-T + K9P□BU



K9IP120F□-T + K9P□BUF



WEIGHT

PART	WEIGHT(kg)
MOTOR	3,90(50Hz)
	3,20(60Hz)
DECIMAL GEAR HEAD	0,62

DIMENSION TABLE

PART No	M	Application Model
01	155	50Hz
02	135	60Hz

DIMENSION TABLE

PART No	L	Application Model	Mounting BOLT
01	65	K9P3~200B	M6 P1,0 X 95
02	40	K9P10BX	M6 P1,0 X 140

WEIGHT

PART	WEIGHT(kg)
K9P3~10B	1,22
K9P12,5~20B	1,32
K9P25~60B	1,42
K9P75~200B	1,45

DIMENSION TABLE

PART No	L	Application Model	Mounting BOLT
01	65	K9P3~200BF	M6 P1,0 X 25
02	40	K9P10BX	M6 P1,0 X 65

WEIGHT

PART	WEIGHT(kg)
K9P3~10BF	1,22
K9P12,5~20BF	1,30
K9P25~60BF	1,42
K9P75~200BF	1,44

DIMENSION TABLE

PART No	L	Application Model	Mounting BOLT
01	85	K9P3~200BU	M6 P1,0 X 20
02	40	K9P10BX	M6 P1,0 X 60

WEIGHT

PART	WEIGHT(kg)
K9P3~10BU	1,44
K9P12,5~20BU	1,55
K9P25~60BU	1,69
K9P75~200BU	1,74

DIMENSION TABLE

PART No	L	Application Model	Mounting BOLT
01	85	K9P3~200BUF	M6 P1,0 X 20
02	40	K9P10BX	M6 P1,0 X 65

WEIGHT

PART	WEIGHT(kg)
K9P3~10BUF	1,50
K9P12,5~20BUF	1,62
K9P25~60BUF	1,76
K9P75~200BUF	1,82

GEARHEADS

DIMENSIONS

K9P120F□-T5 + K9P□B



K9P120F□-T5 + K9P□BF, BUF



K9P120F□-T5 + K9P□BU



WEIGHT

PART	WEIGHT(kg)
MOTOR	3,90(50Hz)
	3,20(60Hz)
DECIMAL GEAR HEAD	0,62

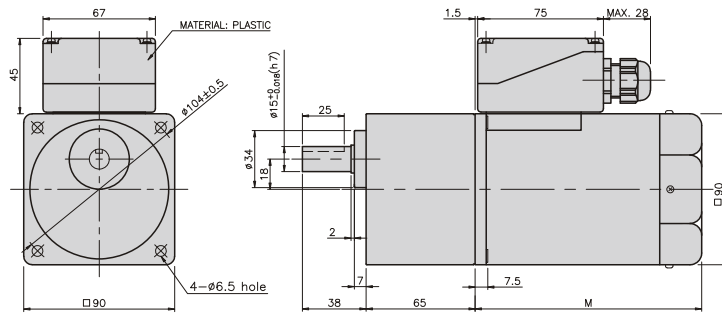
DIMENSION TABLE

PART No	M	Application Model
01	155	50Hz
02	135	60Hz

DIMENSION TABLE

PART No	L	Application Model	Mounting BOLT
01	65	K9P3~200B	M6 P1,0 X 95
02	40	K9P10BX	M6 P1,0 X 140

K9P120F□-T5 + K9P□B



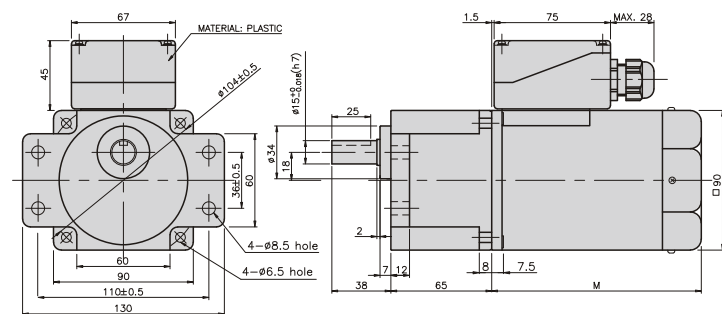
WEIGHT

PART	WEIGHT(kg)
K9P3~10B	1,22
K9P12,5~20B	1,32
K9P25~60B	1,42
K9P75~200B	1,45

DIMENSION TABLE

PART No	L	Application Model	Mounting BOLT
01	65	K9P3~200BF	M6 P1,0 X 25
02	40	K9P10BX	M6 P1,0 X 65

K9P120F□-T5 + K9P□BF



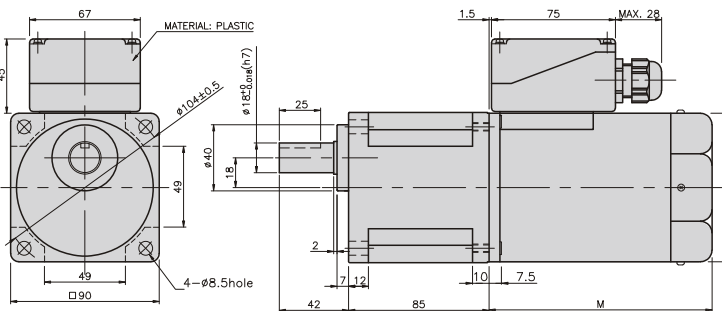
WEIGHT

PART	WEIGHT(kg)
K9P3~10BF	1,22
K9P12,5~20BF	1,30
K9P25~60BF	1,42
K9P75~200BF	1,44

DIMENSION TABLE

PART No	L	Application Model	Mounting BOLT
01	85	K9P3~200BU	M6 P1,0 X 20
02	40	K9P10BX	M6 P1,0 X 60

K9P120F□-T5 + K9P□BU



WEIGHT

PART	WEIGHT(kg)
K9P3~10BU	1,44
K9P12,5~20BU	1,55
K9P25~60BU	1,69
K9P75~200BU	1,74

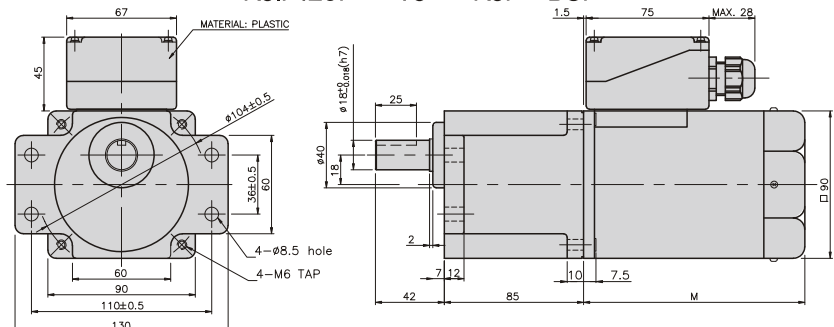
DIMENSION TABLE

PART No	L	Application Model	Mounting BOLT
01	85	K9P3~200BUF	M6 P1,0 X 20
02	40	K9P10BX	M6 P1,0 X 65

WEIGHT

PART	WEIGHT(kg)
K9P3~10BUF	1,50
K9P12,5~20BUF	1,62
K9P25~60BUF	1,76
K9P75~200BUF	1,82

K9P120F□-T5 + K9P□BUF



INDUCTION MOTOR

150W

□90mm

LEAD WIRE TYPE TERMINAL BOX TYPE

K9IS150FH



K9IS150F□-T, T5



SPECIFICATIONS

150W continuous rating, four poles

Model		Voltage (V)	Frequency (Hz)	Current (A)	Start T. (N* m/Kgf*cm)	Rated T. (N* m/Kgf*cm)	Speed (rpm)	Condenser (μF)
K9I□150FT(-T, -T5)		three-phase	200	50	1,2	3,5/35	1,13/11,3	1300
	60			0,95	2,65/26,5	0,915/9,15	1600	
K9I□150FH(-T, -T5)	220		50	0,99	2,95/29,5	1,13/11,3	1300	-
				230	1,1			
	220		60	0,97	2,5/25	0,915/9,15	1600	-
				230	1,02			
K9I□150FM(-T, -T5)	380		50	0,57	3/30	1,13/11,3	1300	-
			60		2,25/22,5	0,915/9,15	1600	
K9I□150FV(-T, -T5)	400		50	0,6	3,5/35	1,13/11,3	1300	-
			60		2,5/25	0,915/9,15	1600	
K9I□150FQ(-T, -T5)	415		50	0,57	3,15/31,5	1,13/11,3	1300	-
			60	0,42	2,35/23,5	0,915/9,15	1600	
K9I□150FZ(-T, -T5)	440	50	0,53	3,3/33	1,085/10,85	1350	-	
		60	0,44	2,6/26	0,915/9,15	1600		

* □ : SHAFT SHAPE (S : STRAIGHT, P : PINION)

RATED TORQUE OF GEARHEAD

● 50Hz

unit = above : N · m / below : kgfcm

Model	Speed(rpm)	Ratio																							
		500	416	300	250	200	166	150	120	100	83	75	60	50	41	37	30	25	20	16	15	13	10	8,3	7,5
K9I□150F□(-T, -T5) K9P□B, BF	2,64	3,16	4,39	5,27	6,59	7,91	8,79	9,89	11,86	14,24	15,82	17,80	20	20	20	20	20	20	20	20	20	20	20	20	20
	26,4	31,6	43,9	52,7	65,9	79,1	87,9	98,9	118,6	142,4	158,2	178,0	200	200	200	200	200	200	200	200	200	200	200	200	200

● 60Hz

unit = above : N · m / below : kgfcm

Model	Speed(rpm)	Ratio																							
		600	500	360	300	240	200	180	144	120	100	90	72	60	50	45	36	30	24	20	18	15	12	10	9
K9I□150F□(-T, -T5) K9P□B, BF	2,22	2,67	3,71	4,45	5,56	6,67	7,41	8,34	10,01	12,01	13,34	15,01	18,01	20	20	20	20	20	20	20	20	20	20	20	20
	22,2	26,7	37,1	44,5	55,6	66,7	74,1	83,4	100,1	120,1	133,4	150,1	180,1	200	200	200	200	200	200	200	200	200	200	200	200

* Gearhead and decimal gearhead are sold separately.

* The code in □ of gearhead model is for gear ratio.

* ■ color indicates that the output shaft of the geared motor rotates in the same direction as the output shaft of the motor. Others indicate rotation in the opposite direction.

* If you are to have less ratio than the ratio in the table, you can install the decimal gearhead, which has one tenth of the ratio, between the gearhead and the motor. In this case, the permissible torque is 20N · m/200kgfcm.

* RPM is based on motor's synchronous rpm (50HZ:1500rpm, 60HZ:1800rpm) and calculated by dividing gear ratio. Actual rpm is 2~20% less than

indicating rpm according to load size.

GEARHEADS

RATED TORQUE OF GEARHEAD

● 50Hz

unit = above : N · m / below : kgfcm

Model Motor/ Gearhead	Speed(rpm)	500	416	300	250	200	166	150	120	100	83	75	60	50	41	37	30	25	20	16	15	13	10	8,3	7,5
	Ratio	3	3,6	5	6	7,5	9	10	12,5	15	18	20	25	30	36	40	50	60	75	90	100	120	150	180	200
K9I□150F□(-T, -T5) K9P□BU, BUF		2,64	3,16	4,39	5,27	6,59	7,91	8,79	9,89	11,86	14,24	15,82	17,80	21,36	25,63	28,47	30	30	30	30	30	30	30	30	30
		26,4	31,6	43,9	52,7	65,9	79,1	87,9	98,9	118,6	142,4	158,2	178,0	213,6	256,3	284,7	300	300	300	300	300	300	300	300	300

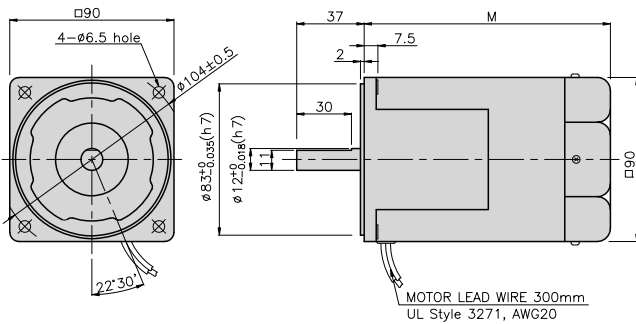
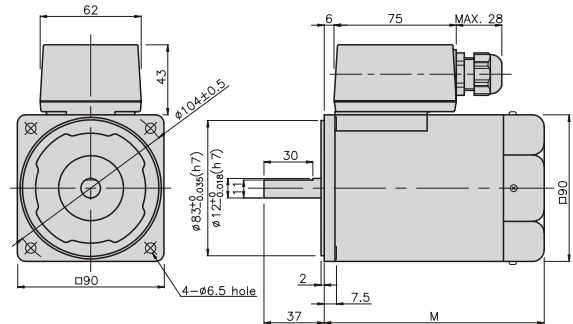
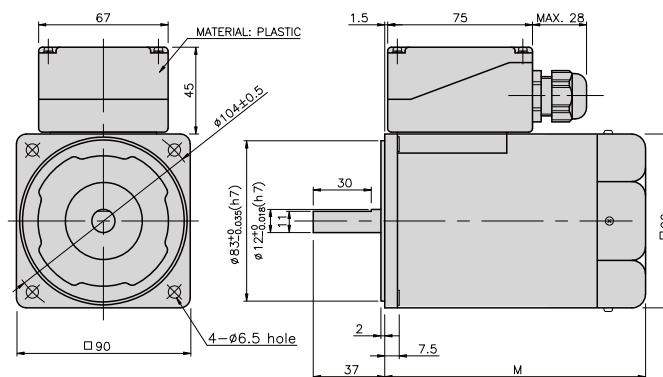
● 60Hz

unit = above : N · m / below : kgfcm

Model Motor/ Gearhead	Speed(rpm)	600	500	360	300	240	200	180	144	120	100	90	72	60	50	45	36	30	24	20	18	15	12	10	9
	Ratio	3	3,6	5	6	7,5	9	10	12,5	15	18	20	25	30	36	40	50	60	75	90	100	120	150	180	200
K9I□150F□(-T, -T5) K9P□BU, BUF		2,22	2,67	3,71	4,45	5,56	6,67	7,41	8,34	10,01	12,01	13,34	15,01	18,01	21,61	24,01	30	30	30	30	30	30	30	30	30
		22,2	26,7	37,1	44,5	55,6	66,7	74,1	83,4	100,1	120,1	133,4	150,1	180,1	216,1	240,1	300	300	300	300	300	300	300	300	300

- * Gearhead and decimal gearhead are sold separately.
- * The code in □ of gearhead model is for gear ratio.
- * color indicates that the output shaft of the geared motor rotates in the same direction as the output shaft of the motor. Others indicate rotation in the opposite direction.
- * If you are to have less ratio than the ratio in the table, you can install the decimal gearhead, which has one tenth of the ratio, between the gearhead and the motor. In this case, the permissible torque is 30N · m/300kgfcm.
- * RPM is based on motor's synchronous rpm (50HZ:1500rpm, 60HZ:1800rpm) and calculated by dividing gear ratio. Actual rpm is 2~20% less than indicating rpm according to load size.

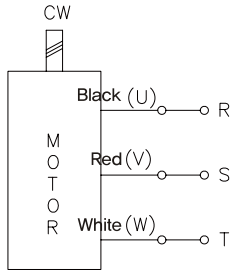
DIMENSIONS

K9IS150FH

K9IS150F□-T

K9IS150F□-T5


GEARHEADS

CONNECTION DIAGRAMS

K9IS150F □



connecting two leadwires of U,V,W in turns
The direction of motor rotation is as viewed from the front shaft end of the motor

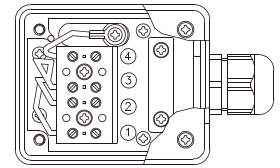
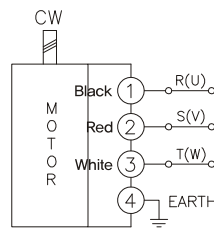
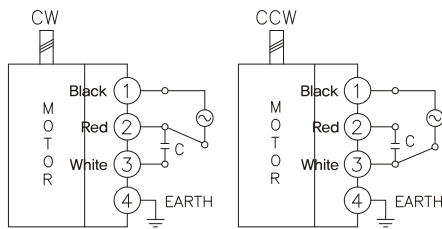
DIMENSION TABLE

PART No	M	Application Model
01	155	50Hz
02	135	60Hz

K9IS150F □-T

single phase motor

three phase motor

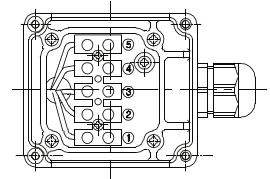
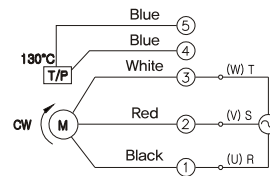
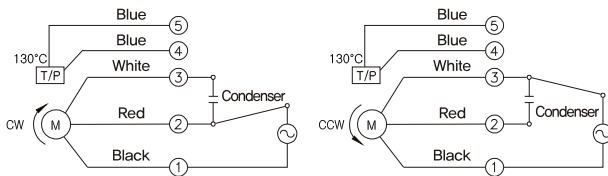


The direction of motor rotation is as viewed from the front shaft end of the motor

K9IS150F □-T5

single phase motor

three phase motor



connecting two leadwires of U,V,W in turns
The direction of motor rotation is as viewed from the front shaft end of the motor

GEARHEADS

DIMENSIONS

K9P□B



K9P□BF, BUF

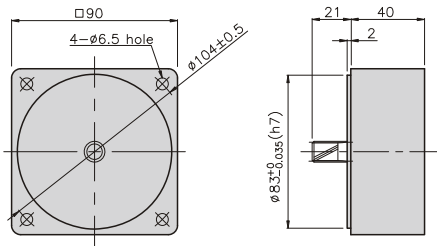


K9P□BU



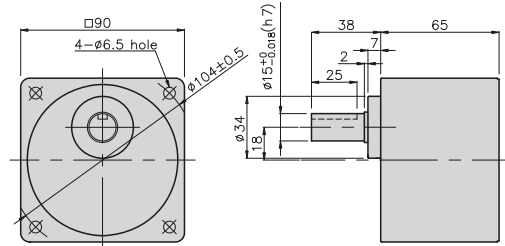
DECIMAL GEARHEAD

K9P10BX



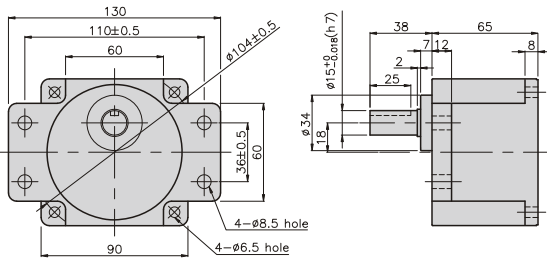
GEAR HEAD

K9P□B



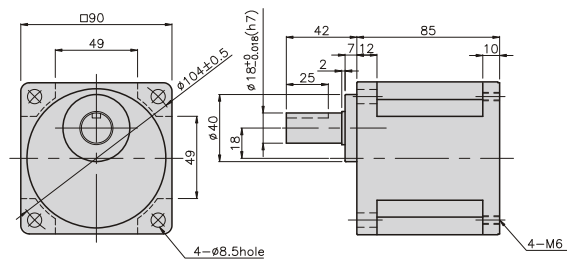
GEARHEAD

K9P□BF



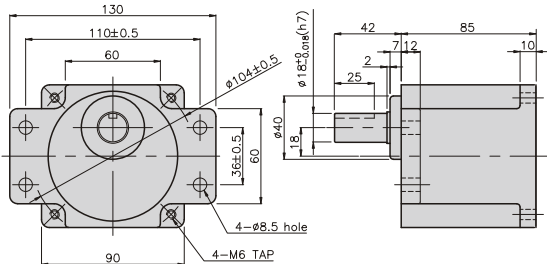
GEARHEAD

K9P□BU

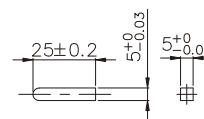


GEARHEAD

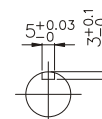
K9P□BUF



• KEY



• KEY GROOVE



GEARHEADS

DIMENSIONS

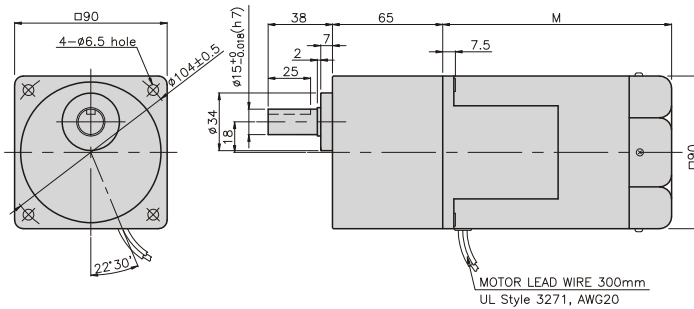
K9IP150F□ + K9P□B

K9IP150F□ + K9P□BF, BUF

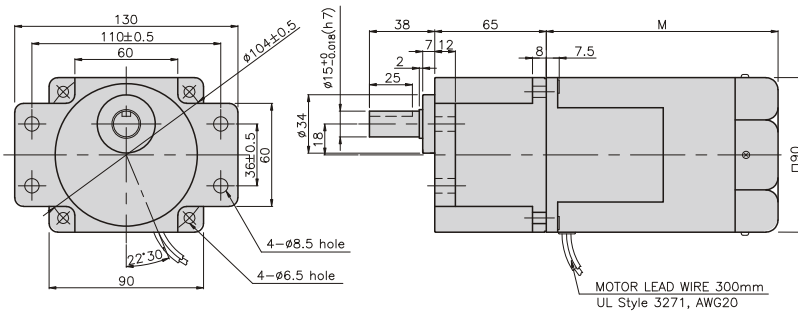
K9IP150F□ + K9P□BU



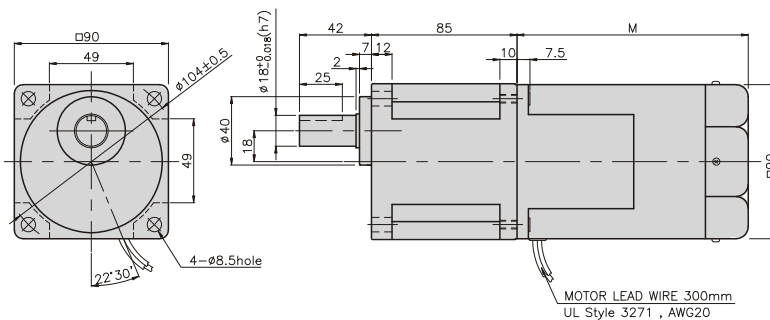
K9IP150F□ + K9P□B



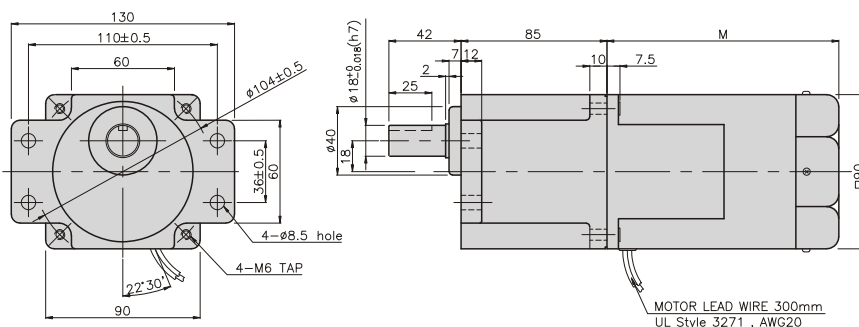
K9IP150F□ + K9P□BF



K9IP150F□ + K9P□BU



K9IP150F□ + K9P□BUF



WEIGHT

PART	WEIGHT(kg)
MOTOR	3,82
DECIMAL GEAR HEAD	0,62

DIMENSION TABLE

PART No	M	Application Model
01	155	50Hz
02	135	60Hz

DIMENSION TABLE

PART No	L	Application Model	Mounting BOLT
01	85	K9P3~200B	M6 P1,0 X 95
02	40	K9P10BX	M4 P1,0 X 60

WEIGHT

PART	WEIGHT(kg)
K9P3~10B	1,22
K9P12,5~20B	1,32
K9P25~60B	1,42
K9P75~200B	1,45

DIMENSION TABLE

PART No	L	Application Model	Mounting BOLT
01	85	K9P3~200BF	M6 P1,0 X 95
02	40	K9P10BX	M4 P1,0 X 60

WEIGHT

PART	WEIGHT(kg)
K9P3~10BF	1,22
K9P12,5~20BF	1,30
K9P25~60BF	1,42
K9P75~200BF	1,44

DIMENSION TABLE

PART No	L	Application Model	Mounting BOLT
01	85	K9P3~200BU	M6 P1,0 X 20
02	40	K9P10BX	M6 P1,0 X 60

WEIGHT

PART	WEIGHT(kg)
K9P3~10BU	1,44
K9P12,5~20BU	1,55
K9P25~60BU	1,69
K9P75~200BU	1,74

DIMENSION TABLE

PART No	L	Application Model	Mounting BOLT
01	85	K9P3~200BUF	M6 P1,0 X 20
02	40	K9P10BX	M6 P1,0 X 65

WEIGHT

PART	WEIGHT(kg)
K9P3~10BUF	1,50
K9P12,5~20BUF	1,62
K9P25~60BUF	1,76
K9P75~200BUF	1,82

GEARHEADS

DIMENSIONS

K9IP150F□-T + K9P□B



K9IP150F□-T + K9P□BF, BUF



K9IP150F□-T + K9P□BU



WEIGHT

PART	WEIGHT(kg)
MOTOR	3,24(3,90)
DECIMAL GEAR HEAD	0,62

DIMENSION TABLE

PART No	M	Application Model
01	155	50Hz
02	135	60Hz

DIMENSION TABLE

PART No	L	Application Model	Mounting BOLT
01	85	K9P3~200B	M6 P1,0 X 95
02	40	K9P10BX	M6 P1,0 X 140

WEIGHT

PART	WEIGHT(kg)
K9P3~10B	1,22
K9P12,5~20B	1,32
K9P25~60B	1,42
K9P75~200B	1,45

DIMENSION TABLE

PART No	L	Application Model	Mounting BOLT
01	85	K9P3~200BF	M6 P1,0 X 25
02	40	K9P10BX	M6 P1,0 X 65

WEIGHT

PART	WEIGHT(kg)
K9P3~10BF	1,22
K9P12,5~20BF	1,30
K9P25~60BF	1,42
K9P75~200BF	1,44

DIMENSION TABLE

PART No	L	Application Model	Mounting BOLT
01	85	K9P3~200BU	M6 P1,0 X 20
02	40	K9P10BX	M6 P1,0 X 60

WEIGHT

PART	WEIGHT(kg)
K9P3~10BU	1,44
K9P12,5~20BU	1,55
K9P25~60BU	1,69
K9P75~200BU	1,74

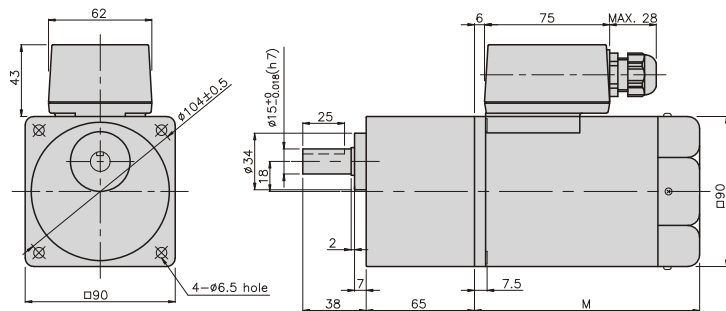
DIMENSION TABLE

PART No	L	Application Model	Mounting BOLT
01	85	K9P3~200BUF	M6 P1,0 X 20
02	40	K9P10BX	M6 P1,0 X 65

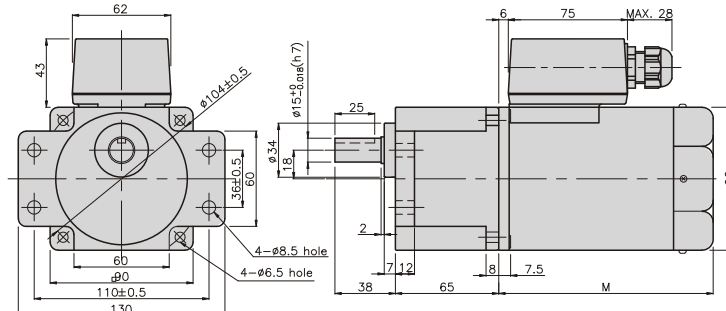
WEIGHT

PART	WEIGHT(kg)
K9P3~10BUF	1,50
K9P12,5~20BUF	1,62
K9P25~60BUF	1,76
K9P75~200BUF	1,82

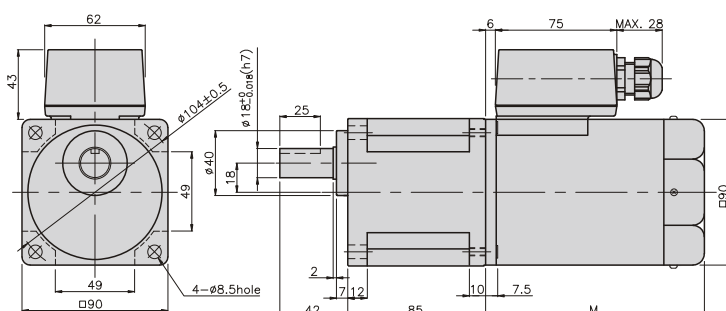
K9IP150F□-T + K9P□B



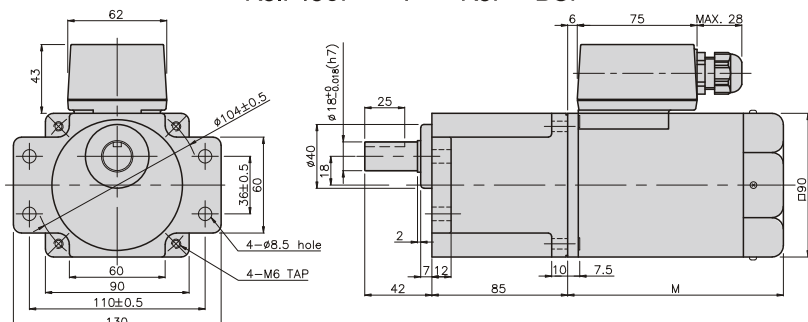
K9IP150F□-T + K9P□BF



K9IP150F□-T + K9P□BU



K9IP150F□-T + K9P□BUF



GEARHEADS

DIMENSIONS

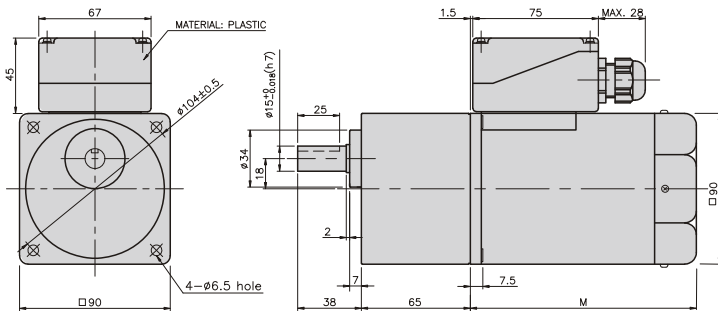
K9IP150F□-T5 + KP9□B

K9IP150F□-T5 + K9P□BF, BUF

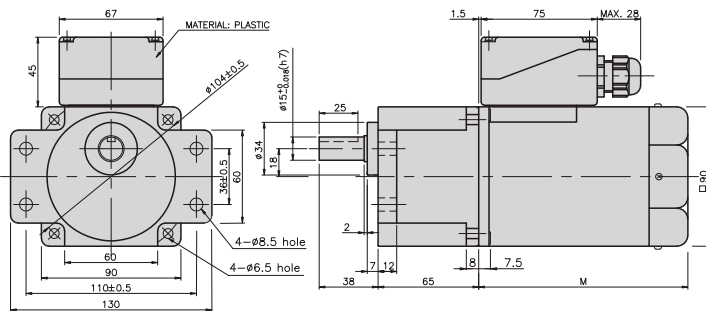
K9IP150F□-T5 + K9P□BU



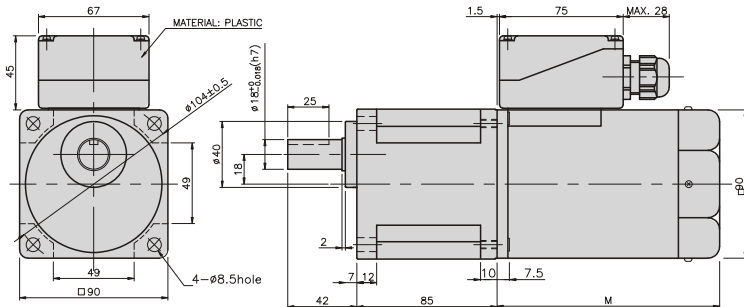
K9IP150F□-T5 + KP9□B



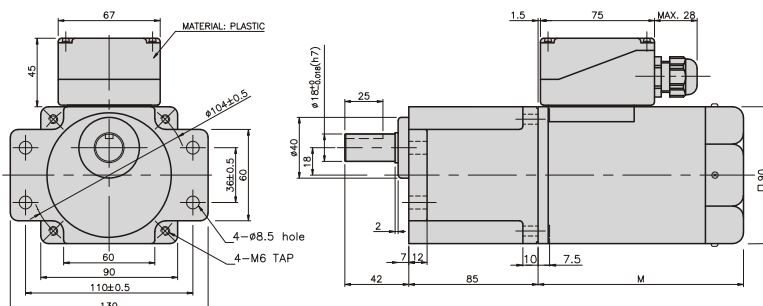
K9IP150F□-T5 + KP9□BF



K9IP150F□-T5 + KP9□BU



K9IP150F□-T5 + KP9□BUF



WEIGHT

PART	WEIGHT(kg)
MOTOR	3.24(3.90)
DECIMAL GEAR HEAD	0.62

DIMENSION TABLE

PART No	M	Application Model
01	155	50Hz
02	135	60Hz

DIMENSION TABLE

PART No	L	Application Model	Mounting BOLT
01	85	K9P3~200B	M6 P1.0 X 95
02	40	K9P10BX	M6 P1.0 X 140

WEIGHT

PART	WEIGHT(kg)
K9P3~10B	1.22
K9P12.5~20B	1.32
K9P25~60B	1.42
K9P75~200B	1.45

DIMENSION TABLE

PART No	L	Application Model	Mounting BOLT
01	85	K9P3~200BF	M6 P1.0 X 25
02	40	K9P10BX	M6 P1.0 X 65

WEIGHT

PART	WEIGHT(kg)
K9P3~10BF	1.22
K9P12.5~20BF	1.30
K9P25~60BF	1.42
K9P75~200BF	1.44

DIMENSION TABLE

PART No	L	Application Model	Mounting BOLT
01	85	K9P3~200BU	M6 P1.0 X 20
02	40	K9P10BX	M6 P1.0 X 60

WEIGHT

PART	WEIGHT(kg)
K9P3~10BU	1.44
K9P12.5~20BU	1.55
K9P25~60BU	1.69
K9P75~200BU	1.74

DIMENSION TABLE

PART No	L	Application Model	Mounting BOLT
01	85	K9P3~200BUF	M6 P1.0 X 20
02	40	K9P10BX	M6 P1.0 X 65

WEIGHT

PART	WEIGHT(kg)
K9P3~10BUF	1.50
K9P12.5~20BUF	1.62
K9P25~60BUF	1.76
K9P75~200BUF	1.82

INDUCTION MOTOR

180W

□90mm

LEAD WIRE TYPE
TERMINAL BOX TYPE

K9IS180F□



K9IS180F□-T, T5



SPECIFICATIONS

180W continuous rating, four poles

Model	Voltage (V)	Frequency (Hz)	Current (A)	Start T. (N*m/ Kgf*cm)	Rated T. (N*m/ Kgf*cm)	Speed (rpm)	Condenser (μF)
K9I□180FJ(-T, -T5)	100	50	3,43	0,9/9	1,35/13,5	1300	50
		60	3,7	1/10	1,1/11	1600	
K9I□180FU(-T, -T5)	110	60	2,85	0,8/8	1,1/11	1600	35
	115		3,06				
K9I□180FL(-T, -T5)	200	50	1,47	0,73/7,3	1,35/13,5	1300	12
		60	1,43	0,65/6,5	1,1/11	1600	
K9I□180FC(-T, -T5)	220	50	1,58	0,7/7	1,35/13,5	1300	8
		60	1,38	0,65/6,5	1,1/11	1600	
	230	50	1,7	0,75/7,5	1,35/13,5	1300	
		60	1,54	0,7/7	1,1/11	1600	
K9I□180FD(-T, -T5)	240	50	1,2	0,8/8	1,35/13,5	1300	8

* □ : SHAFT SHAPE (S : STRAIGHT, P : PINION)

RATED TORQUE OF GEARHEAD

● 50Hz

unit = above : N·m / below : kgfcm

Model Motor/ Gearhead	Speed(rpm)	600	500	360	300	240	200	180	144	120	100	90	72	60	50	45	36	30	24	20	18	15	12	10	9
	Ratio	3	3,6	5	6	7,5	9	10	12,5	15	18	20	25	30	36	40	50	60	75	90	100	120	150	180	200
K9I□180F□(-T, -T5)		3,28	3,94	5,47	6,56	8,20	9,84	10,94	12,30	14,76	17,71	19,68	22,14	26,57	30	30	30	30	30	30	30	30	30	30	30
K9P□BU, BUF		32,8	39,4	54,7	65,6	82,0	98,4	109,4	123,0	147,6	177,1	196,8	221,4	265,7	300	300	300	300	300	300	300	300	300	300	300

● 60Hz

unit = above : N·m / below : kgfcm

Model Motor/ Gearhead	Speed(rpm)	600	500	360	300	240	200	180	144	120	100	90	72	60	50	45	36	30	24	20	18	15	12	10	9
	Ratio	3	3,6	5	6	7,5	9	10	12,5	15	18	20	25	30	36	40	50	60	75	90	100	120	150	180	200
K9I□180F□(-T, -T5)		2,67	3,21	4,46	5,35	6,68	8,02	8,91	10,02	12,03	14,43	16,04	18,04	21,65	25,98	28,87	30	30	30	30	30	30	30	30	30
K9P□BU, BUF		26,7	32,1	44,6	53,5	66,8	80,2	89,1	100,2	120,3	144,3	160,4	180,4	216,5	259,8	288,7	300	300	300	300	300	300	300	300	300

* Gearhead and decimal gearhead are sold separately.

* The code in □ of gearhead model is for gear ratio.

* ■ color indicates that the output shaft of the geared motor rotates in the same direction as the output shaft of the motor. Others indicate rotation in the opposite direction.

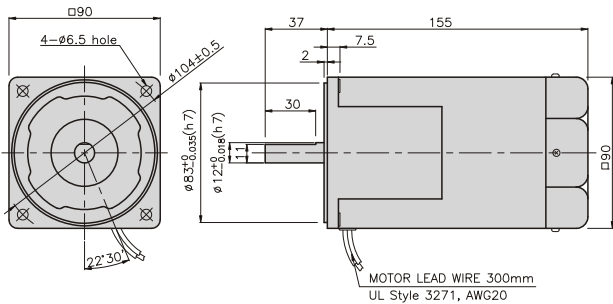
* If you are to have less ratio than the ratio in the table, you can install the decimal gearhead, which has one tenth of the ratio, between the gearhead and the motor. In this case, the permissible torque is 30N·m/300kgfcm.

* RPM is based on motor's synchronous rpm (50HZ:1500rpm, 60HZ:1800rpm) and calculated by dividing gear ratio. Actual rpm is 2~20% less than indicating rpm according to load size.

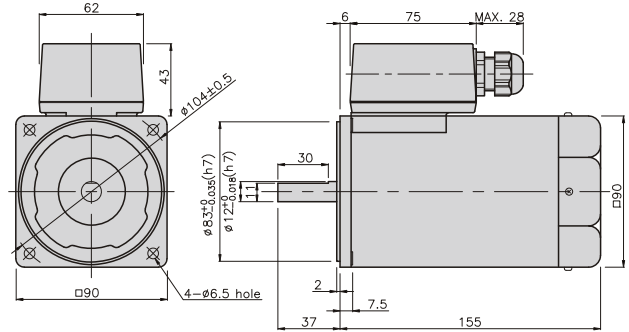
GEARHEADS

DIMENSIONS

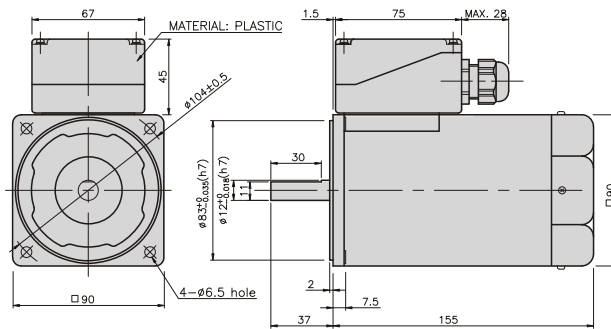
K9IS180F□



K9IS180F□-T

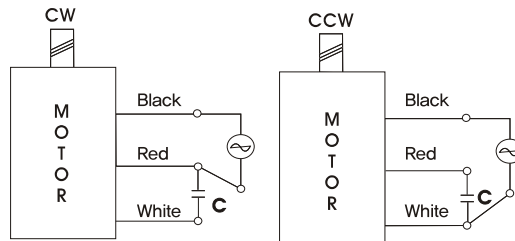


K9IS180F□-T5



CONNECTION DIAGRAMS

K9IS180F□

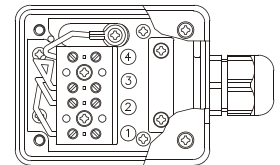
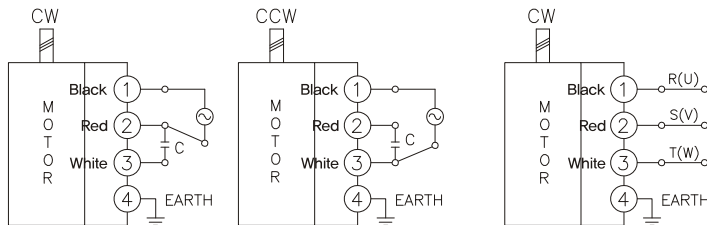


The direction of motor rotation is as viewed from the front shaft end of the motor

K9IS180F□-T

single phase motor

three phase motor

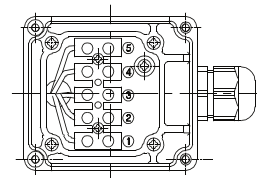
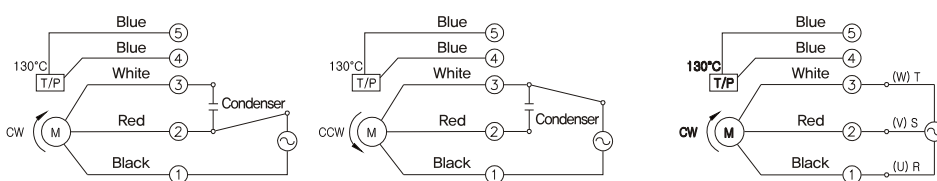


The direction of motor rotation is as viewed from the front shaft end of the motor

K9IS180F□-T5

single phase motor

three phase motor



The direction of motor rotation is as viewed from the front shaft end of the motor connecting two leadwires of U,V,W in turns

GEARHEADS

DIMENSIONS

K9P□BU

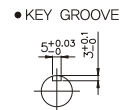
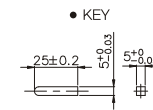
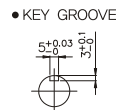
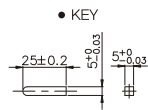
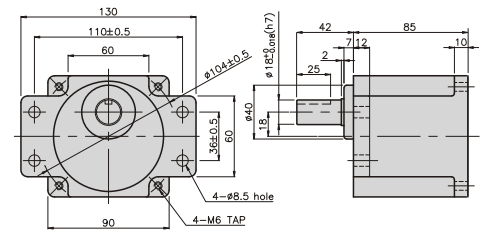
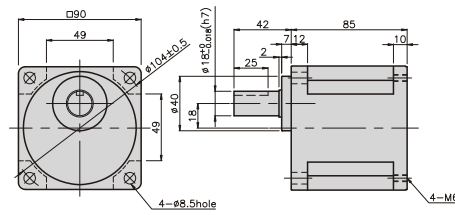
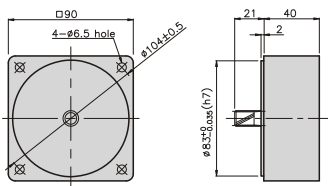
K9P□BUF



DECIMAL GEARHEAD
K9P10BX

GEARHEAD
K9P□BU

GEARHEAD
K9P□BUF



GEARHEADS

DIMENSIONS

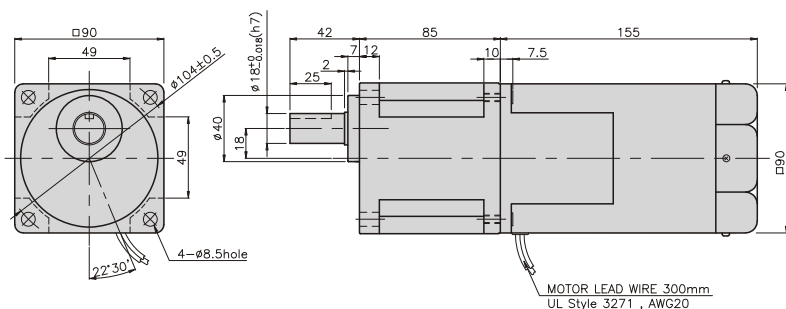
K9IP180F□ + K9P□BU



K9IP180F□ + K9P□BUF



K9IP180F□ + K9P□BU



WEIGHT

PART	WEIGHT(kg)
MOTOR	3,72
DECIMAL GEAR HEAD	0,62

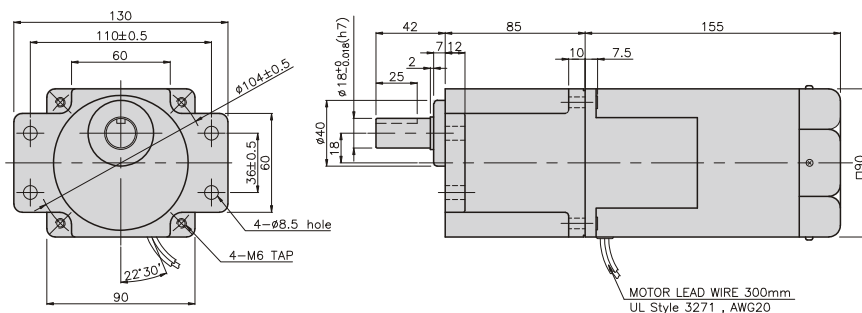
DIMENSION TABLE

PART No	L	Application Model	Mounting BOLT
01	85	K9P3~200BU	M6 P1,0 X 20
02	40	K9P10BX	M6 P1,0 X 60

WEIGHT

PART	WEIGHT(kg)
K9P3~10BU	1,44
K9P12,5~20BU	1,55
K9P25~60BU	1,69
K9P75~200BU	1,74

K9IP180F□ + K9P□BUF



DIMENSION TABLE

PART No	L	Application Model	Mounting BOLT
01	85	K9P3~200BUF	M6 P1,0 X 20
02	40	K9P10BX	M6 P1,0 X 65

WEIGHT

PART	WEIGHT(kg)
K9P3~10BUF	1,50
K9P12,5~20BUF	1,62
K9P25~60BUF	1,76
K9P75~200BUF	1,82

GEARHEADS

CONNECTION DIAGRAMS

K9IP180F□-T + K9P□BU



K9IP180F□-T + K9P□BUF



WEIGHT

PART	WEIGHT(kg)
MOTOR	3,90
DECIMAL GEAR HEAD	0,62

DIMENSION TABLE

PART No	L	Application Model	Mounting BOLT
01	85	K9P3~200BU	M6 P1,0 X 20
02	40	K9P10BX	M6 P1,0 X 60

WEIGHT

PART	WEIGHT(kg)
K9P3~10BU	1,44
K9P12,5~20BU	1,55
K9P25~60BU	1,69
K9P75~200BU	1,74

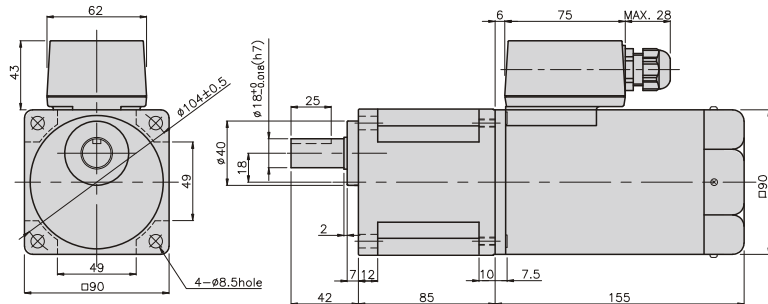
DIMENSION TABLE

PART No	L	Application Model	Mounting BOLT
01	85	K9P3~200BUF	M6 P1,0 X 20
02	40	K9P10BX	M6 P1,0 X 65

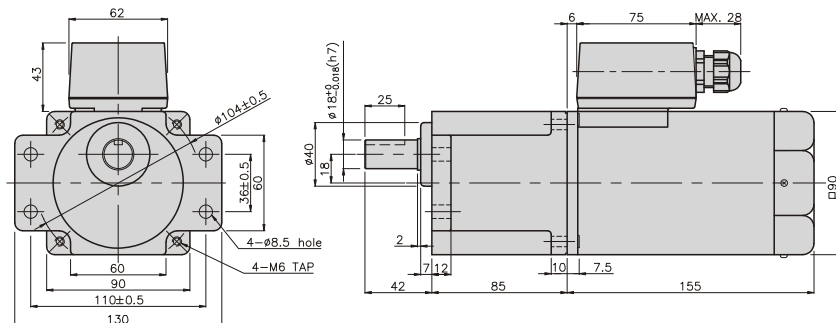
WEIGHT

PART	WEIGHT(kg)
K9P3~10BUF	1,50
K9P12,5~20BUF	1,62
K9P25~60BUF	1,76
K9P75~200BUF	1,82

K9IP180F□-T + K9P□BU



K9IP180F□-T + K9P□BUF



GEARHEADS

DIMENSIONS

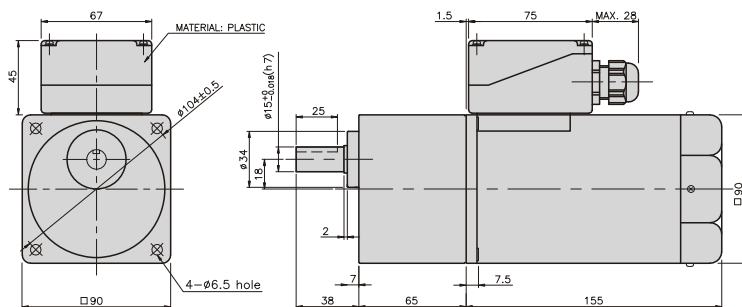
K9IP180F□-T5 + K9P□BU



K9IP180F□-T5 + K9P□BUF



K9IP180F□-T5 + K9P□BU



WEIGHT

PART	WEIGHT(kg)
MOTOR	3,90
DECIMAL GEAR HEAD	0,62

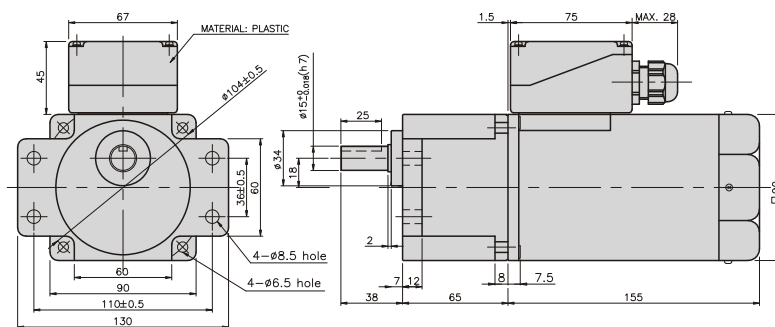
DIMENSION TABLE

PART No	L	Application Model	Mounting BOLT
01	85	K9P3~200BU	M6 P1,0 X 20
02	40	K9P10BX	M6 P1,0 X 60

WEIGHT

PART	WEIGHT(kg)
K9P3~10BU	1,44
K9P12,5~20BU	1,55
K9P25~60BU	1,69
K9P75~200BU	1,74

K9IP180F□-T5 + K9P□BUF



DIMENSION TABLE

PART No	L	Application Model	Mounting BOLT
01	85	K9P3~200BUF	M6 P1,0 X 20
02	40	K9P10BX	M6 P1,0 X 65

WEIGHT

PART	WEIGHT(kg)
K9P3~10BUF	1,50
K9P12,5~20BUF	1,62
K9P25~60BUF	1,76
K9P75~200BUF	1,82

INDUCTION MOTOR

200W

□90mm

LEAD WIRE TYPE TERMINAL BOX TYPE

K9IS200FH



K9IS200F□-T, T5



SPECIFICATIONS

200W continuous rating, four poles

Model	Voltage (V)	Frequency (Hz)	Current (A)	Start T. (N*m/ Kgf*cm)	Rated T. (N*m. Kgf*cm)	Speed (rpm)	Condenser (μF)
K9I□200FT(-T, -T5)	200	50	1,62	4/40	1,5/15	1300	-
		60	1,29	3,15/31,5	1,22/12,2	1600	
K9I□200FH(-T, -T5)	220	50	1,36	4,25/42,5	1,45/14,5	1350	-
		60	1,06	3,4/34	1,22/12,2	1600	
	230	50	1,51	4,3/43	1,45/14,5	1350	-
		60	1,15	3,5/35	1,22/12,2	1600	
K9I□200FM(-T, -T5)	380	50	0,81	4,3/43	1,45/14,5	1350	-
		60	0,58	3,6/36	1,22/12,2	1600	
K9I□200FV(-T, -T5)	400	50	0,91	4,5/45	1,45/14,5	1350	-
		60	0,67	4/40	1,22/12,2	1600	
K9I□200FQ(-T, -T5)	415	50	0,62	3,8/38	1,5/15	1300	-
		60	0,58	3/30	1,26/12,6	1550	
K9I□200FZ(-T, -T5)	440	50	0,68	4,1/41	1,5/15	1300	-
		60	0,54	3/30	1,22/12,2	1600	

* □ : SHAFT SHAPE (S : STRAIGHT, P : PINION)

RATED TORQUE OF GEARHEAD

● 50Hz

unit = above : N · m / below : kgfcm

Model Motor/ Gearhead	Speed(rpm)	500	416	300	250	200	166	150	120	100	83	75	60	50	41	37	30	25	20	16	15	13	10	8,3	7,5
	Ratio	3	3,6	5	6	7,5	9	10	12,5	15	18	20	25	30	36	40	50	60	75	90	100	120	150	180	200
K9I□200F□(-T, -T5) K9P□BU, BUF		3,52	4,23	5,87	7,05	8,81	10,57	11,75	13,21	15,86	19,03	21,14	23,78	28,54	30	30	30	30	30	30	30	30	30	30	30
		35,2	42,3	58,7	70,5	88,1	105,7	117,5	132,1	158,6	190,3	211,4	237,8	285,4	300	300	300	300	300	300	300	300	300	300	300

● 60Hz

unit = above : N · m / below : kgfcm

Model Motor/ Gearhead	Speed(rpm)	600	500	360	300	240	200	180	144	120	100	90	72	60	50	45	36	30	24	20	18	15	12	10	9
	Ratio	3	3,6	5	6	7,5	9	10	12,5	15	18	20	25	30	36	40	50	60	75	90	100	120	150	180	200
K9I□200F□(-T, -T5) K9P□BU, BUF		2,96	3,56	4,94	5,93	7,41	8,89	9,88	11,12	13,34	16,01	17,79	20,01	24,01	28,82	30	30	30	30	30	30	30	30	30	30
		29,6	35,6	49,4	59,3	74,1	88,9	98,8	111,2	133,4	160,1	177,9	200,1	240,1	288,2	300	300	300	300	300	300	300	300	300	300

* Gearhead and decimal gearhead are sold separately.

* The code in □ of gearhead model is for gear ratio.

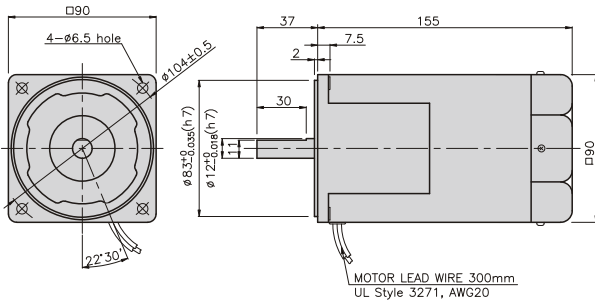
* ■ color indicates that the output shaft of the geared motor rotates in the same direction as the output shaft of the motor. Others indicate rotation in the opposite direction.

* If you are to have less ratio than the ratio in the table, you can install the decimal gearhead, which has one tenth of the ratio, between the gearhead and the motor. In this case, the permissible torque is 30N · m/300kgfcm.

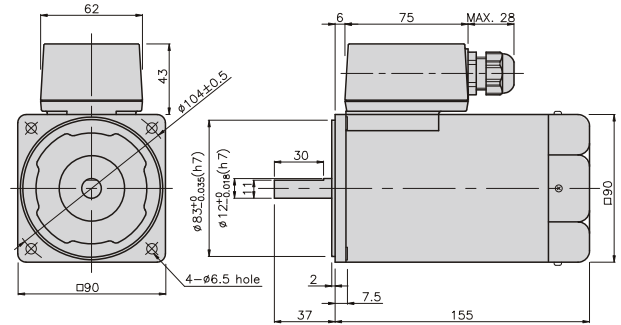
* RPM is based on motor's synchronous rpm (50HZ:1500rpm, 60HZ:1800rpm) and calculated by dividing gear ratio. Actual rpm is 2~20% less than indicating rpm according to load size.

GEARHEADS

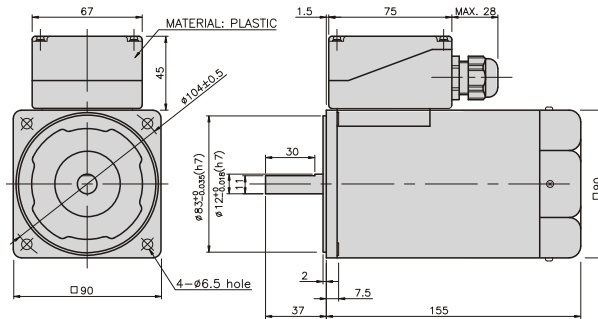
K9IS200FH



K9IS200F□-T

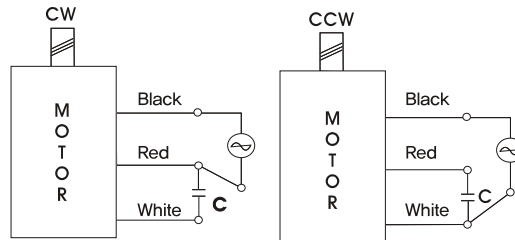


K9IS200F□-T5



CONNECTION DIAGRAMS

K9IS200F□

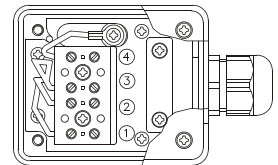
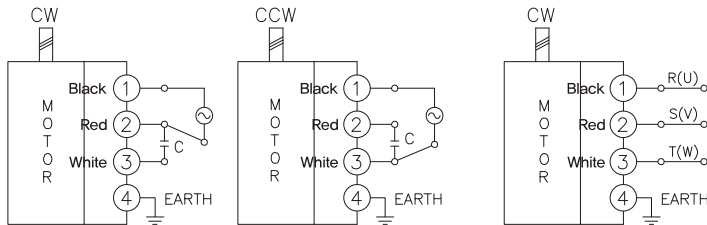


The direction of motor rotation is as viewed from the front shaft end of the motor

K9IS200F□-T

single phase motor

three phase motor

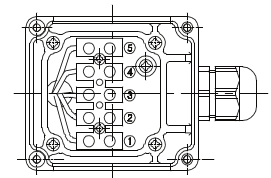
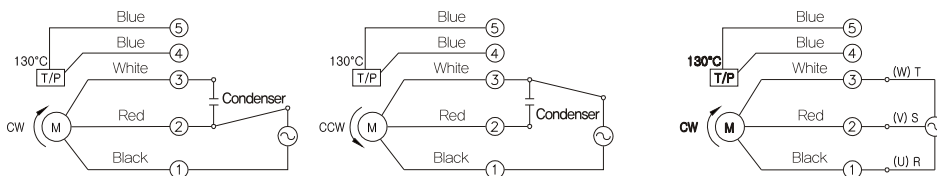


The direction of motor rotation is as viewed from the front shaft end of the motor

K9IS200F□-T5

single phase motor

three phase motor



The direction of motor rotation is as viewed from the front shaft end of the motor connecting two leadwires of U,V,W in turns

GEARHEADS

DIMENSIONS

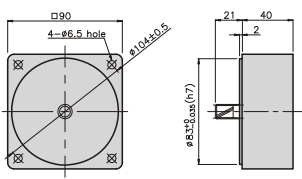
K9P□BU



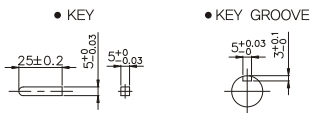
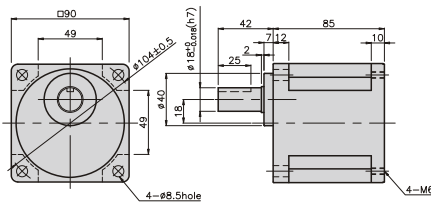
K9P□BUF



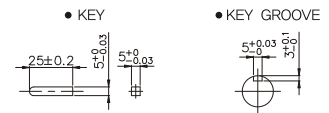
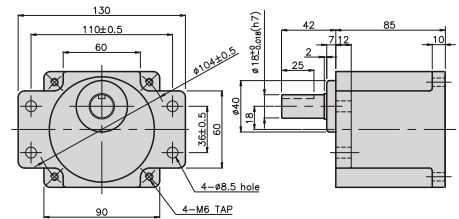
DECIMAL GEARHEAD
K9P10BX



GEARHEAD
K9P□BU



GEARHEAD
K9P□BUF



GEARHEADS

DIMENSIONS

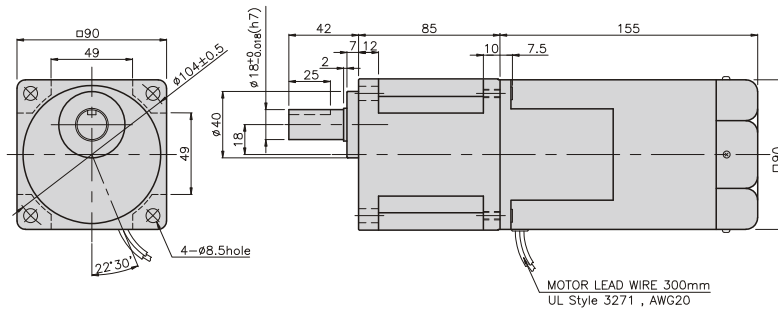
K9IP200F□ + K9P□BU



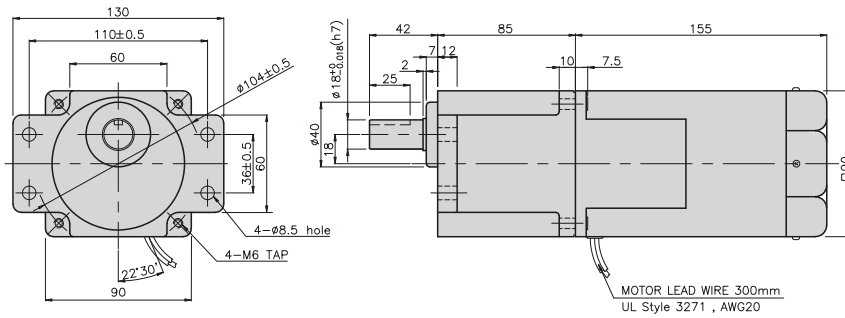
K9IP200F□ + K9P□BUF



K9IP200F□ + K9P□BU



K9IP200F□ + K9P□BUF



WEIGHT

PART	WEIGHT(kg)
MOTOR	3,82
DECIMAL GEAR HEAD	0,62

DIMENSION TABLE

PART No	L	Application Model	Mounting BOLT
01	85	K9P3~200BU	M6 P1,0 X 20
02	40	K9P10BX	M6 P1,0 X 60

WEIGHT

PART	WEIGHT(kg)
K9P3~10BU	1,44
K9P12,5~20BU	1,55
K9P25~60BU	1,69
K9P75~200BU	1,74

DIMENSION TABLE

PART No	L	Application Model	Mounting BOLT
01	85	K9P3~200BUF	M6 P1,0 X 20
02	40	K9P10BX	M6 P1,0 X 65

WEIGHT

PART	WEIGHT(kg)
K9P3~10BUF	1,50
K9P12,5~20BUF	1,62
K9P25~60BUF	1,76
K9P75~200BUF	1,82

GEARHEADS

DIMENSIONS

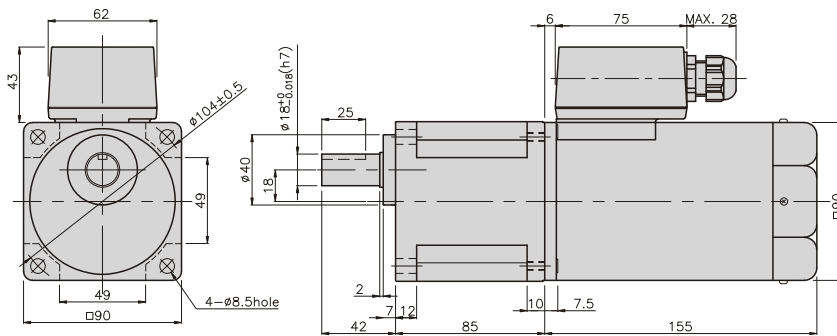
K9IP200F□-T + K9P□BU



K9IP200F□-T + K9P□BUF



K9IP200F□-T + K9P□BU



WEIGHT

PART	WEIGHT(kg)
MOTOR	4,00
DECIMAL GEAR HEAD	0,62

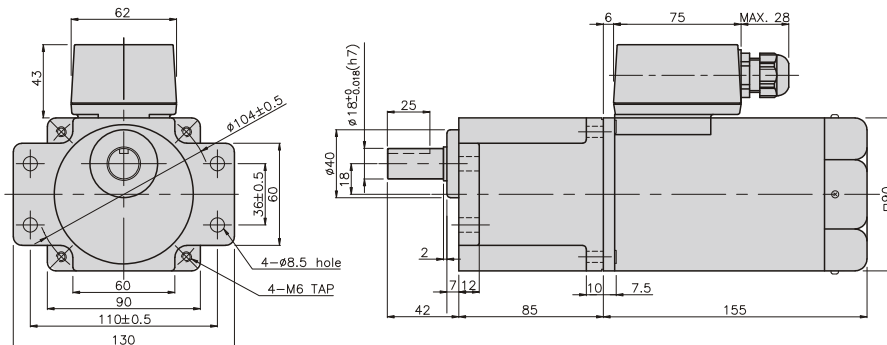
DIMENSION TABLE

PART No	L	Application Model	Mounting BOLT
01	85	K9P3~200BU	M6 P1,0 X 20
02	40	K9P10BX	M6 P1,0 X 60

WEIGHT

PART	WEIGHT(kg)
K9P3~10BU	1,44
K9P12,5~20BU	1,55
K9P25~60BU	1,69
K9P75~200BU	1,74

K9IP200F□-T + K9P□BUF



DIMENSION TABLE

PART No	L	Application Model	Mounting BOLT
01	85	K9P3~200BUF	M6 P1,0 X 20
02	40	K9P10BX	M6 P1,0 X 65

WEIGHT

PART	WEIGHT(kg)
K9P3~10BUF	1,50
K9P12,5~20BUF	1,62
K9P25~60BUF	1,76
K9P75~200BUF	1,82

GEARHEADS

DIMENSIONS

K9IP200F□-T5 + K9P□BU



K9IP200F□-T5 + K9P□BUF



WEIGHT

PART	WEIGHT(kg)
MOTOR	4.00
DECIMAL GEAR HEAD	0.62

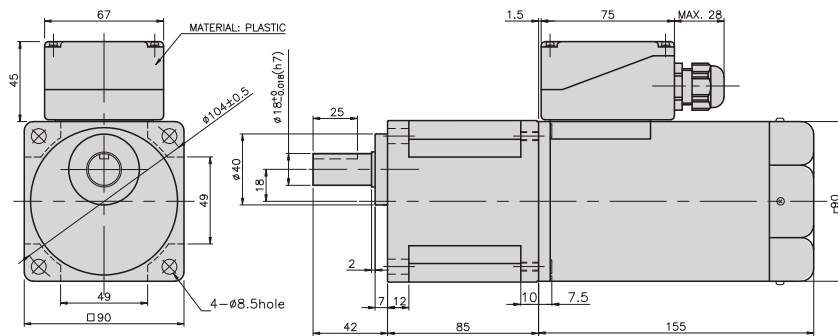
DIMENSION TABLE

PART No	L	Application Model	Mounting BOLT
01	85	K9P3~200BU	M6 P1,0 X 20
02	40	K9P10BX	M6 P1,0 X 60

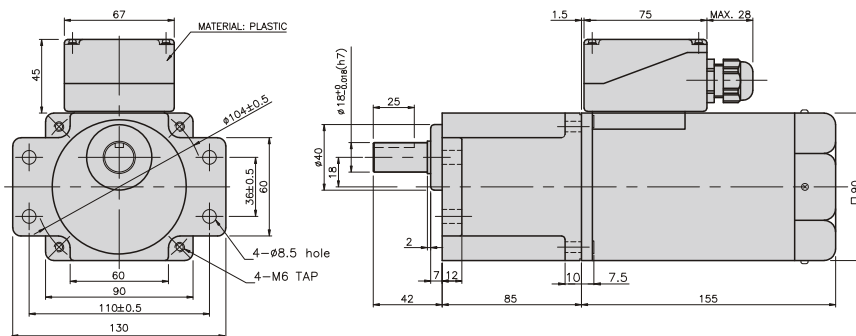
WEIGHT

PART	WEIGHT(kg)
K9P3~10BU	1.44
K9P12,5~20BU	1.55
K9P25~60BU	1.69
K9P75~200BU	1.74

K9IP200F□-T5 + K9P□BU



K9IP200F□-T5 + K9P□BUF



DIMENSION TABLE

PART No	L	Application Model	Mounting BOLT
01	85	K9P3~200BUF	M6 P1,0 X 20
02	40	K9P10BX	M6 P1,0 X 65

WEIGHT

PART	WEIGHT(kg)
K9P3~10BUF	1.50
K9P12,5~20BUF	1.62
K9P25~60BUF	1.76
K9P75~200BUF	1.82

REVERSIBLE MOTOR

60W

□90mm

LEAD WIRE TYPE TERMINAL BOX TYPE

K9RS60F□



K9RS60F□-T, T5



SPECIFICATIONS

60W continuous rating, four poles

Model	Voltage (V)	Frequency (Hz)	Current (A)	Start T. (N*m/Kgf*cm)	Rated T. (N*m/Kgf*cm)	Speed (rpm)	Condenser (μF)
K9R□60FJ(-T, -T5)	100	50	1,48	0,48/4,8	0,47/4,7	1250	25
		60	1,66			1550	
K9R□60FU(-T, -T5)	110	60	1,25	0,4/4	0,38/3,8	1550	17
	115		1,31	0,425/4,25			
K9R□60FL(-T, -T5)	200	50	0,72	0,5/5	0,47/4,7	1250	6
		60	0,76	0,44/4,4	0,39/3,9	1500	
K9R□60FC(-T, -T5)	220	50	0,69	0,45/4,5	0,47/4,7	1250	5
		60	0,76	0,48/4,8	0,38/3,8	1550	
	230	50	0,77	0,5/5	0,47/4,7	1250	
		60	0,79		0,38/3,8	1550	
K9R□60FD(-T, -T5)	240	50	0,75	0,5/5	0,47/4,7	1250	5

* □ : SHAFT SHAPE (S : STRAIGHT, G : PINION)

RATED TORQUE OF GEARHEAD

● 50Hz

unit = above : N · m / below : kgfcm

Model	Speed(rpm)	500	416	300	250	200	166	150	120	100	83	75	60	50	41	37	30	25	20	16	15	12,5	10	8,3	7,5
Motor/ Gearhead	Ratio	3	3,6	5	6	7,5	9	10	12,5	15	18	20	25	30	36	40	50	60	75	90	100	120	150	180	200
K9R□60F□(-T, -T5) K9P□B, BF		1,14	1,37	1,90	2,28	2,86	3,43	3,81	4,28	5,14	6,17	6,85	7,71	9,25	11,10	12,33	15,42	18,50	20	20	20	20	20	20	20
		11,4	13,7	19,0	22,8	28,6	34,3	38,1	42,8	51,4	61,7	68,5	77,1	92,5	111,0	123,3	154,2	185	200	200	200	200	200	200	200

● 60Hz

unit = above : N · m / below : kgfcm

Model	Speed(rpm)	600	500	360	300	240	200	180	144	120	100	90	72	60	50	45	36	30	24	20	18	15	12	10	9
Motor/ Gearhead	Ratio	3	3,6	5	6	7,5	9	10	12,5	15	18	20	25	30	36	40	50	60	75	90	100	120	150	180	200
K9R□60F□(-T, -T5) K9P□B, BF		0,92	1,11	1,54	1,85	2,31	2,77	3,08	3,46	4,16	4,99	5,54	6,23	7,48	8,98	9,97	12,47	14,96	16,83	20	20	20	20	20	20
		9,2	11,1	15,4	18,5	23,1	27,7	30,8	34,6	41,6	49,9	55,4	62,3	74,8	89,8	99,7	124,7	149,6	168,3	200	200	200	200	200	200

* Gearhead and decimal gearhead are sold separately.

* The code in □ of gearhead model is for gear ratio.

* ■ color indicates that the output shaft of the geared motor rotates in the same direction as the output shaft of the motor. Others indicate rotation in the opposite direction.

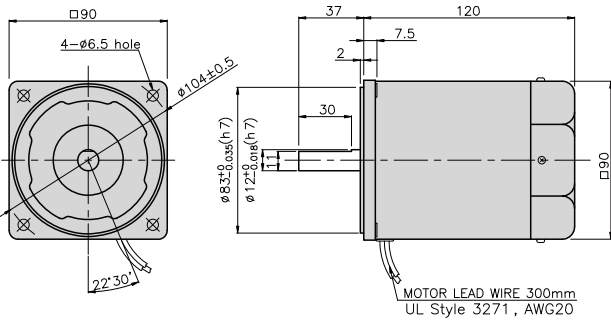
* If you are to have less ratio than the ratio in the table, you can install the decimal gearhead, which has one tenth of the ratio, between the gearhead and the motor. In this case, the permissible torque is 20N · m/200kgfcm.

* RPM is based on motor's synchronous rpm (50Hz:1500rpm, 60Hz:1800rpm) and calculated by dividing gear ratio. Actual rpm is 2~20% less than indicating rpm according to load size.

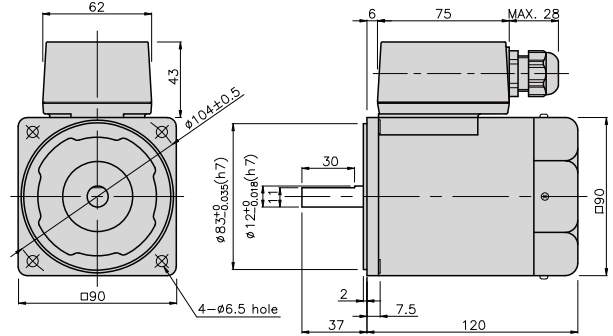
GEARHEADS

DIMENSIONS

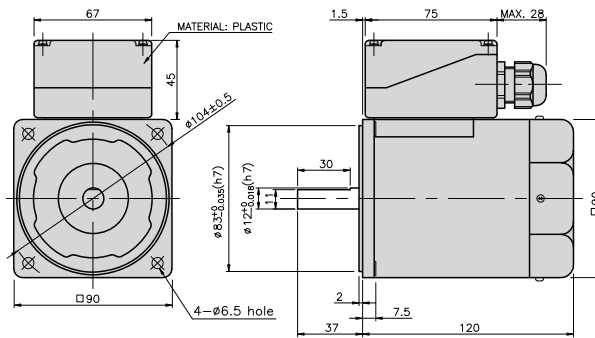
K9RS60F□



K9RS60F□-T



K9RS60F□-T5

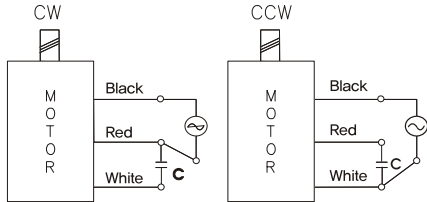


REVERSIBLE MOTORS

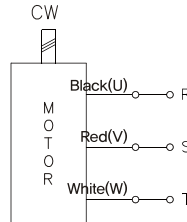
CONNECTION DIAGRAMS

K9RS60F□

single phase motor



three phase motor

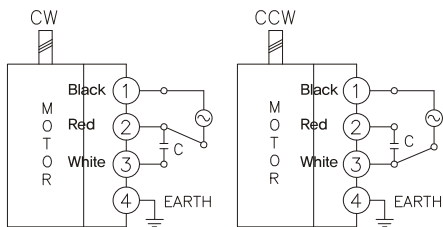


connecting two leadwires of U,V,W in turns

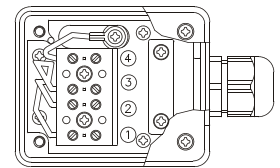
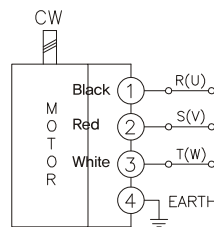
The direction of motor rotation is as viewed from the front shaft end of the motor

K9RS60F□-T

single phase motor



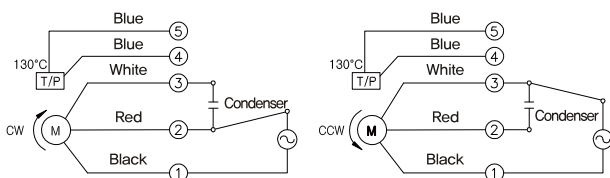
three phase motor



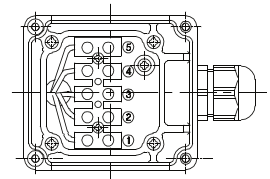
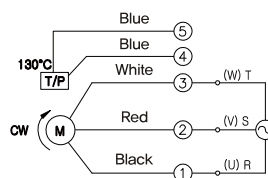
The direction of motor rotation is as viewed from the front shaft end of the motor

K9RS60F□-T5

single phase motor



three phase motor



connecting two leadwires of U,V,W in turns

The direction of motor rotation is as viewed from the front shaft end of the motor

Condenser

GEARHEADS

DIMENSIONS

K9P□B

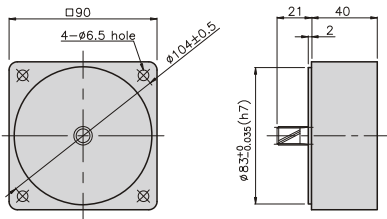


K9P□BF



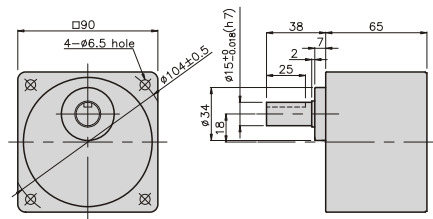
DECIMAL GEARHEAD

K9P10BX



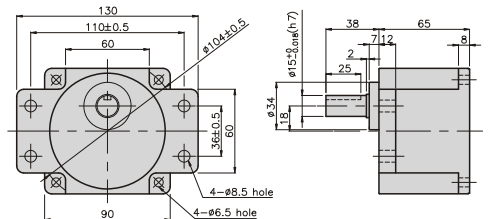
GEAR HEAD

K9P□B

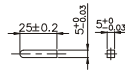


GEARHEAD

K9P□BF



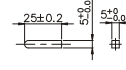
• KEY



• KEY GROOVE



• KEY



• KEY GROOVE



GEARHEADS

DIMENSIONS

K9RP60F□ + K9P□B



K9RP60F□ + K9P□BF



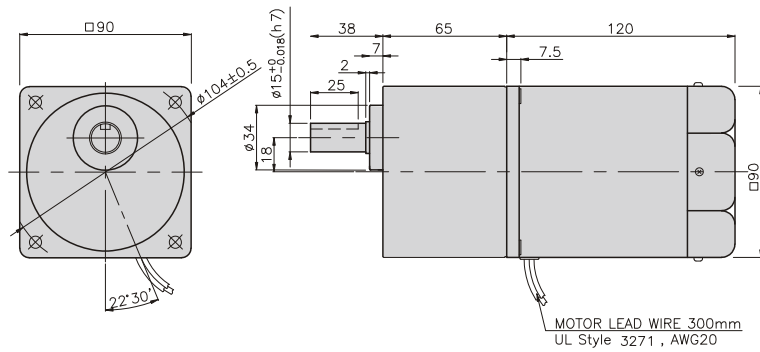
DIMENSION TABLE

PART No.	L	Application Model	Mounting BOLT
01	65	K9P3~200B	M6 P1,0 X 95
02	40	K9P10BX	M6 P1,0 X 140

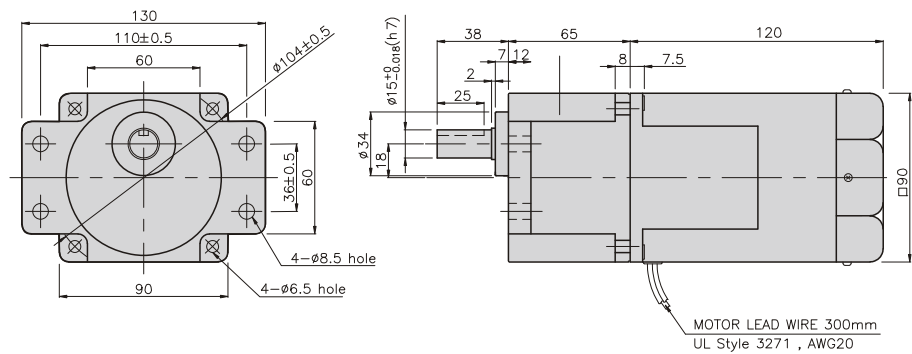
WEIGHT

PART	WEIGHT(kg)	
MOTOR	2,50	
DECIMAL GEAR HEAD	0,62	
GEAR HEAD	K9P3~10B	1,22
	K9P12,5~20B	1,32
HEAD	K9P25~60B	1,42
	K9P75~200B	1,45

K9RP60F□ + K9P□B



K9RP60F□ + K9P□BF



DIMENSION TABLE

PART No.	L	Application Model	Mounting BOLT
01	65	K9P3~200BF	M6 P1,0 X 25
02	40	K9P10BX	M6 P1,0 X 65

WEIGHT

PART	WEIGHT(kg)	
MOTOR	3,00	
DECIMAL GEAR HEAD	0,62	
GEAR HEAD	K9P3~10BF	1,22
	K9P12,5~20BF	1,30
HEAD	K9P25~60BF	1,42
	K9P75~200BF	1,44

GEARHEADS

DIMENSIONS

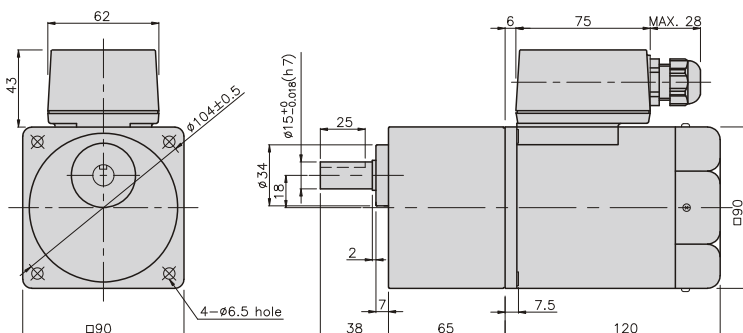
K9RP60F□-T + K9P□B



K9RP60F□-T + K9P□BF



K9RP60F□-T + K9P□B



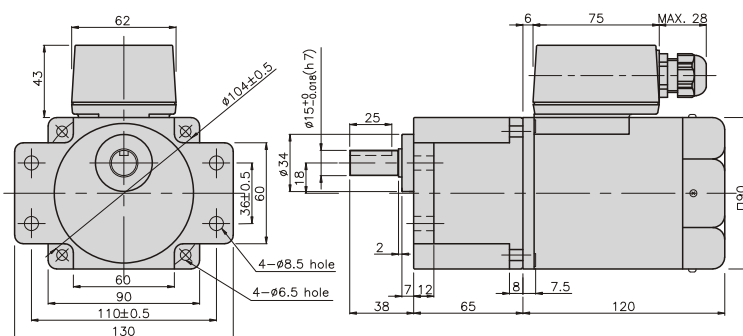
DIMENSION TABLE

PART No	L	Application Model	Mounting BOLT
01	65	K9P3~200B	M6 P1,0 X 95
02	40	K9P10BX	M6 P1,0 X 140

WEIGHT

PART	WEIGHT(kg)	
MOTOR	2,68	
DECIMAL GEAR HEAD	0,62	
GEAR HEAD	K9P3~10B	1,22
	K9P12,5~20B	1,32
	K9P25~60B	1,42
	K9P75~200B	1,45

K9RP60F□-T + K9P□BF



DIMENSION TABLE

PART No	L	Application Model	Mounting BOLT
01	65	K9P3~200B	M6 P1,0 X 95
02	40	K9P10BX	M6 P1,0 X 140

WEIGHT

PART	WEIGHT(kg)	
MOTOR	2,68	
DECIMAL GEAR HEAD	0,62	
GEAR HEAD	K9P3~10BF	1,22
	K9P12,5~20BF	1,32
	K9P25~60BF	1,42
	K9P75~200BF	1,45

GEARHEADS

DIMENSIONS

K9RP60F□-T5 + K9P□B



K9RP60F□-T5 + K9P□BF



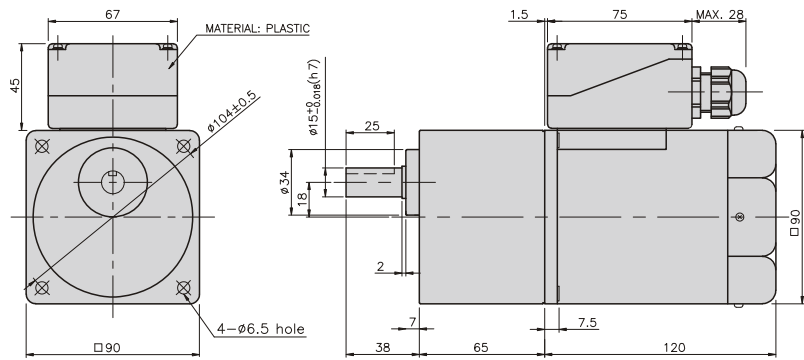
DIMENSION TABLE

PART No	L	Application Model	Mounting BOLT
01	65	K9P3~200B	M6 P1,0 X 95
02	40	K9P10BX	M6 P1,0 X 140

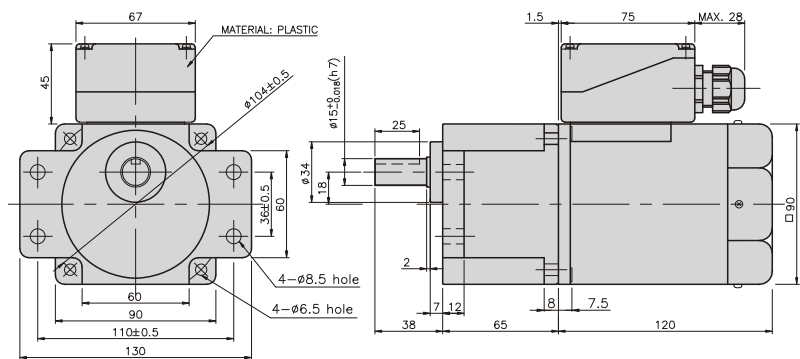
WEIGHT

PART	WEIGHT(kg)	
MOTOR	2,68	
DECIMAL GEAR HEAD	0,62	
GEAR HEAD	K9P3~10B	1,22
	K9P12,5~20B	1,32
	K9P25~60B	1,42
	K9P75~200B	1,45

K9RP60F□-T5 + K9P□B



K9RP60F□-T5 + K9P□BF



DIMENSION TABLE

PART No	L	Application Model	Mounting BOLT
01	65	K9P3~200B	M6 P1,0 X 95
02	40	K9P10BX	M6 P1,0 X 140

WEIGHT

PART	WEIGHT(kg)	
MOTOR	2,68	
DECIMAL GEAR HEAD	0,62	
GEAR HEAD	K9P3~10BF	1,22
	K9P12,5~20BF	1,32
	K9P25~60BF	1,42
	K9P75~200BF	1,45

REVERSIBLE MOTOR

90W

□90mm

LEAD WIRE TYPE TERMINAL BOX TYPE

K9RS90F□



K9RS90F□-T, T5



SPECIFICATIONS

90W continuous rating, four poles

Model	Voltage (V)	Frequency (Hz)	Current (A)	Start T. (N*m/Kgf*cm)	Rated T. (N*m/Kgf*cm)	Speed (rpm)	Condenser (μF)
K9R□90FJ(-T, -T5)	100	50	2,52	0,6/6	0,705/7,05	1250	35
		60	2,42		0,57/5,7	1550	
K9R□90FU(-T, -T5)	110	60	1,88	0,55/5,5	0,57/5,7	1550	25
	115		2,12				
K9R□90FL(-T, -T5)	220	50	0,9	0,55/5,5	0,705/7,05	1250	8
		60	1,1		0,57/5,7	1550	
K9R□90FC(-T, -T5)	220	50	1	0,5/5	0,705/7,05	1250	7
		60	1,1	0,53/5,3	0,57/5,7	1550	
	230	50	1,3	0,6/6	0,705/7,05	1250	
		60	1,1		0,57/5,7	1550	
K9R□90FD(-T, -T5)	240	50	0,94	0,55/5,5	0,705/7,05	1250	6

□ : SHAFT SHAPE (S : STRAIGHT, G : PINION)

RATED TORQUE OF GEARHEAD

● 50Hz

unit = above : N · m / below : kgfcm

Model	Speed(rpm)	500	416	300	250	200	166	150	120	100	83	75	60	50	41	37	30	25	20	16	15	12,5	10	8,3	7,5
Motor/ Gearhead	Ratio	3	3,6	5	6	7,5	9	10	12,5	15	18	20	25	30	36	40	50	60	75	90	100	120	150	180	200
K9R□90F□(-T, -T5) K9P□B, BF		1,71	2,06	2,86	3,43	4,28	5,14	5,71	6,42	7,71	9,25	10,28	11,56	13,88	16,65	18,5	20	20	20	20	20	20	20	20	20
		17,1	20,6	28,6	34,3	42,8	51,4	57,1	64,2	77,1	92,5	102,8	115,6	138,8	166,5	185,0	200	200	200	200	200	200	200	200	200

● 60Hz

unit = above : N · m / below : kgfcm

Model	Speed(rpm)	600	500	360	300	240	200	180	144	120	100	90	72	60	50	45	36	30	24	20	18	15	12	10	9
Motor/ Gearhead	Ratio	3	3,6	5	6	7,5	9	10	12,5	15	18	20	25	30	36	40	50	60	75	90	100	120	150	180	200
K9R□90F□(-T, -T5) K9P□B, BF		1,39	1,66	2,31	2,77	3,46	4,16	4,62	5,19	6,23	7,48	8,31	9,35	11,22	13,46	14,96	18,7	20	20	20	20	20	20	20	20
		13,9	16,6	23,1	27,7	34,6	41,6	46,2	51,9	62,3	74,8	83,1	93,5	112,2	134,6	149,6	187	200	200	200	200	200	200	200	200

* Gearhead and decimal gearhead are sold separately.

* The code in □ of gearhead model is for gear ratio.

* color indicates that the output shaft of the geared motor rotates in the same direction as the output shaft of the motor. Others indicate rotation in the opposite direction.

* If you are to have less ratio than the ratio in the table, you can install the decimal gearhead, which has one tenth of the ratio, between the gearhead and the motor. In this case, the permissible torque is 20N · m/200kgfcm.

* RPM is based on motor's synchronous rpm (50HZ:1500rpm, 60HZ:1800rpm) and calculated by dividing gear ratio. Actual rpm is 2~20% less than indicating rpm according to load size.

GEARHEADS

RATED TORQUE OF GEARHEAD

● 50Hz

unit = above : N · m / below : kgfcm

Model	Speed(rpm)	500	416	300	250	200	166	150	120	100	83	75	60	50	41	37	30	25	20	16	15	13	10	8,3	7,5
Motor/ Gearhead	Ratio	3	3,6	5	6	7,5	9	10	12,5	15	18	20	25	30	36	40	50	60	75	90	100	120	150	180	200
K9R□90F□(-T, -T5) K9RP□BU, BUF		1,71	2,06	2,86	3,43	4,28	5,14	5,71	6,42	7,71	9,25	10,28	11,56	13,88	16,65	18,50	23,13	27,75	30	30	30	30	30	30	30
		17,1	20,6	28,6	34,3	42,8	51,4	57,1	64,2	77,1	92,5	102,8	115,6	138,8	165,6	185,0	231,3	277,5	300	300	300	300	300	300	300

● 60Hz

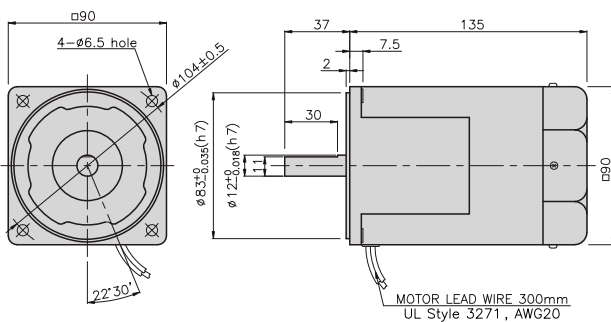
unit = above : N · m / below : kgfcm

Model	Speed(rpm)	600	500	360	300	240	200	180	144	120	100	90	72	60	50	45	36	30	24	20	18	15	12	10	9
Motor/ Gearhead	Ratio	3	3,6	5	6	7,5	9	10	12,5	15	18	20	25	30	36	40	50	60	75	90	100	120	150	180	200
K9R□90F□(-T, -T5) K9RP□BU, BUF		1,39	1,66	2,31	2,77	3,46	4,16	4,62	5,19	6,23	7,48	8,31	9,35	11,22	13,46	14,96	18,70	22,44	25,24	30	30	30	30	30	30
		13,9	16,6	23,1	27,7	34,6	41,6	46,2	51,9	62,3	74,8	83,1	93,5	112,2	134,6	149,6	187,0	224,4	252,4	300	300	300	300	300	300

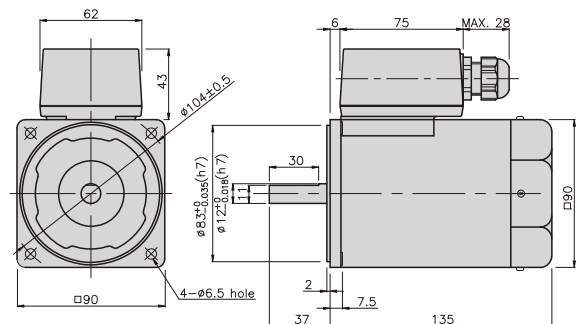
- * Gearhead and decimal gearhead are sold separately.
- * The code in □ of gearhead model is for gear ratio.
- * ■ color indicates that the output shaft of the geared motor rotates in the same direction as the output shaft of the motor. Others indicate rotation in the opposite direction.
- * If you are to have less ratio than the ratio in the table, you can install the decimal gearhead, which has one tenth of the ratio, between the gearhead and the motor. In this case, the permissible torque is 30N · m/300kgfcm.
- * RPM is based on motor's synchronous rpm (50HZ:1500rpm, 60HZ:1800rpm) and calculated by dividing gear ratio. Actual rpm is 2~20% less than indicating rpm according to load size.

DIMENSIONS

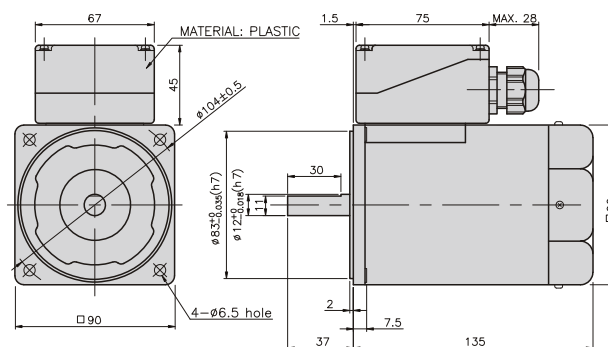
K9RS90F□



K9RS90F□-T



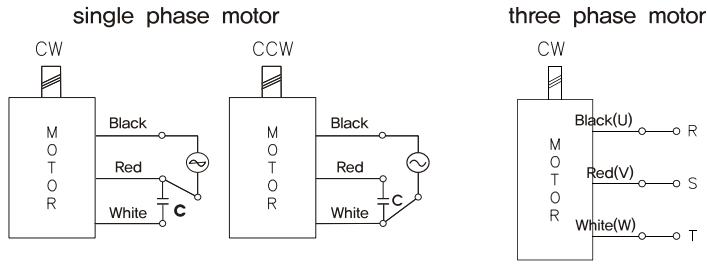
K9RS90F□-T5



GEARHEADS

CONNECTION DIAGRAMS

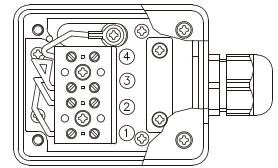
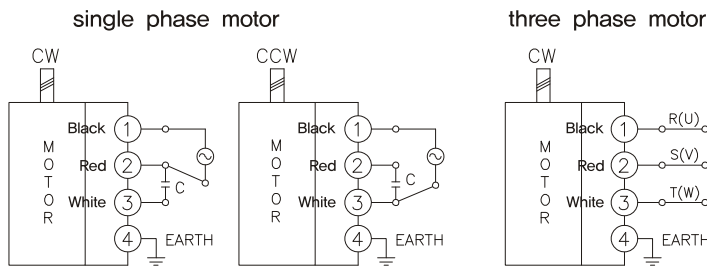
K9RS90F □



connecting two leadwires of U,V,W in turns

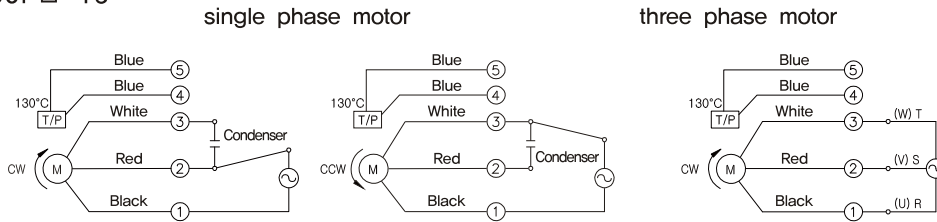
The direction of motor rotation is as viewed from the front shaft end of the motor

K9RS90F □-T



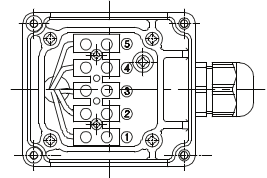
The direction of motor rotation is as viewed from the front shaft end of the motor

K9RS90F □-T5



connecting two leadwires of U,V,W in turns

The direction of motor rotation is as viewed from the front shaft end of the motor



GEARHEADS

DIMENSIONS

K9P□B



K9P□BF, BUF

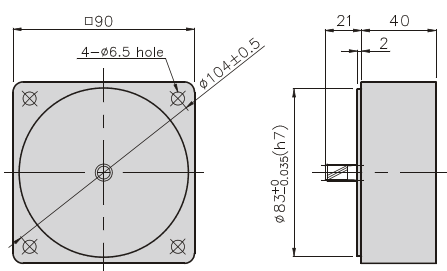


K9P□BU



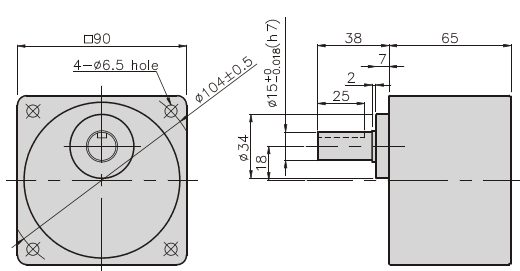
DECIMAL GEARHEAD

K9P10BX



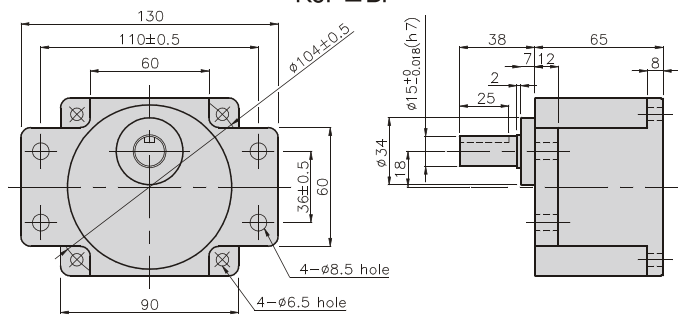
GEAR HEAD

K9P□B



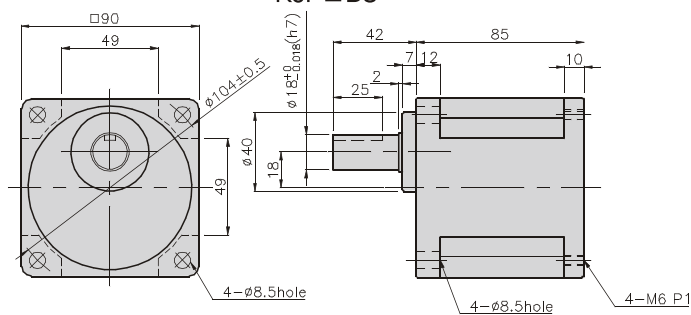
GEARHEAD

K9P□BF



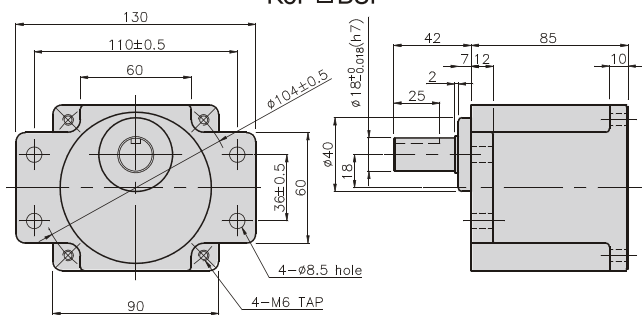
GEARHEAD

K9P□BU



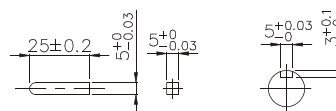
GEARHEAD

K9P□BUF



● KEY

● KEY GROOVE



REVERSIBLE MOTORS

GEARHEADS

DIMENSIONS

K9RP90F□ + K9P□B



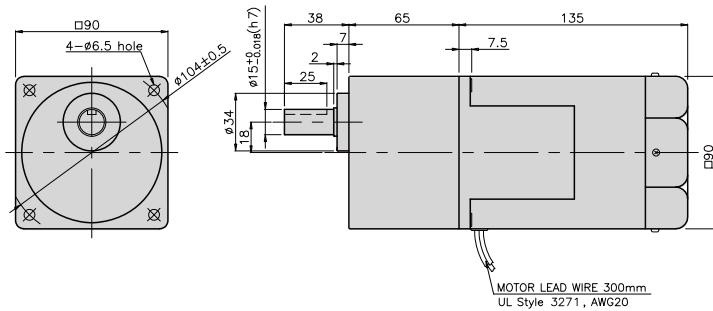
K9RP90F□ + K9P□BF, BUF



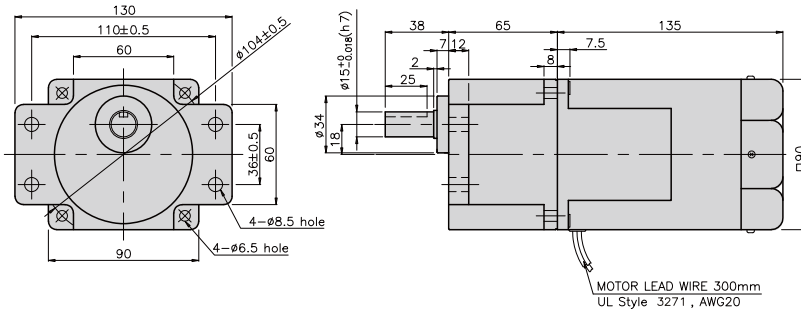
K9RP90F□ + K9P□BU



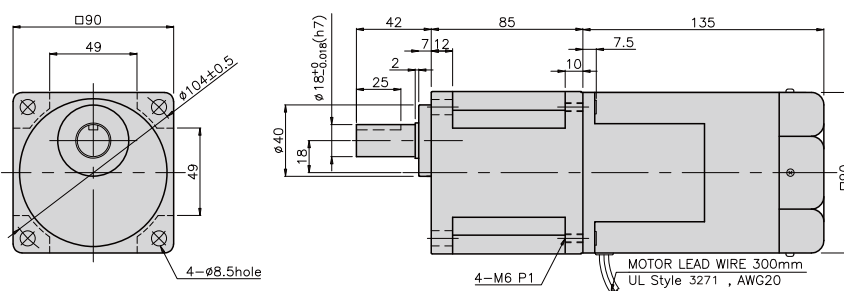
K9RP90F□ + K9P□B



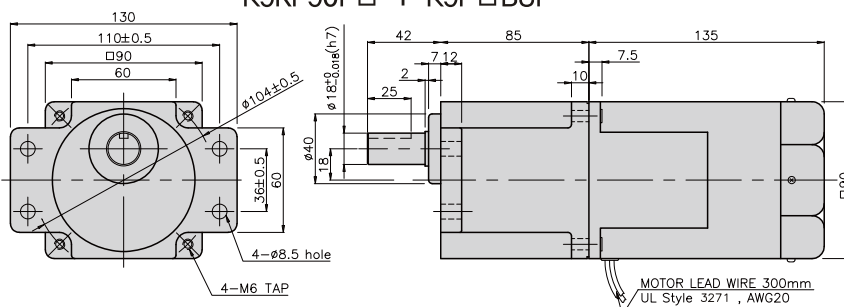
K9RP90F□ + K9P□BF



K9RP90F□ + K9P□BU



K9RP90F□ + K9P□BUF



WEIGHT

PART	WEIGHT(kg)
MOTOR	3,00
DECIMAL GEAR HEAD	0,62

DIMENSION TABLE

PART No	L	Application Model	Mounting BOLT
01	65	K9P3~200B	M6 P1,0 X 95
02	40	K9P10BX	M6 P1,0 X 140

WEIGHT

PART	WEIGHT(kg)
K9P3~10B	1,22
K9P12,5~20B	1,32
K9P25~60B	1,42
K9P75~200B	1,45

DIMENSION TABLE

PART No	L	Application Model	Mounting BOLT
01	65	K9P3~200BF	M6 P1,0 X 25
02	40	K9P10BX	M6 P1,0 X 65

WEIGHT

PART	WEIGHT(kg)
K9P3~10BF	1,22
K9P12,5~20BF	1,30
K9P25~60BF	1,42
K9P75~200BF	1,44

DIMENSION TABLE

PART No	L	Application Model	Mounting BOLT
01	85	K9P3~200BU	M6 P1,0 X 20
02	40	K9P10BX	M6 P1,0 X 60

WEIGHT

PART	WEIGHT(kg)
K9P3~10BU	1,44
K9P12,5~20BU	1,55
K9P25~60BU	1,69
K9P75~200BU	1,74

DIMENSION TABLE

PART No	L	Application Model	Mounting BOLT
01	85	K9P3~200BUF	M6 P1,0 X 20
02	40	K9P10BX	M6 P1,0 X 65

WEIGHT

PART	WEIGHT(kg)
K9P3~10BUF	1,50
K9P12,5~20BUF	1,62
K9P25~60BUF	1,76
K9P75~200BUF	1,82

GEARHEADS

DIMENSIONS

K9RP90F□-T + K9P□B



K9RP90F□-T + K9P□BF, BUF



K9RP90F□-T + K9P□BU



WEIGHT

PART	WEIGHT(kg)
MOTOR	3,18
DECIMAL GEAR HEAD	0,62

DIMENSION TABLE

PART No	L	Application Model	Mounting BOLT
01	65	K9P3~200B	M6 P1,0 X 95
02	40	K9P10BX	M6 P1,0 X 140

WEIGHT

PART	WEIGHT(kg)
K9P3~10B	1,22
K9P12,5~20B	1,32
K9P25~60B	1,42
K9P75~200B	1,45

DIMENSION TABLE

PART No	L	Application Model	Mounting BOLT
01	65	K9P3~200BF	M6 P1,0 X 25
02	40	K9P10BX	M6 P1,0 X 65

WEIGHT

PART	WEIGHT(kg)
K9P3~10BF	1,22
K9P12,5~20BF	1,30
K9P25~60BF	1,42
K9P75~200BF	1,44

DIMENSION TABLE

PART No	L	Application Model	Mounting BOLT
01	85	K9P3~200BU	M6 P1,0 X 20
02	40	K9P10BX	M6 P1,0 X 60

WEIGHT

PART	WEIGHT(kg)
K9P3~10BU	1,44
K9P12,5~20BU	1,55
K9P25~60BU	1,69
K9P75~200BU	1,74

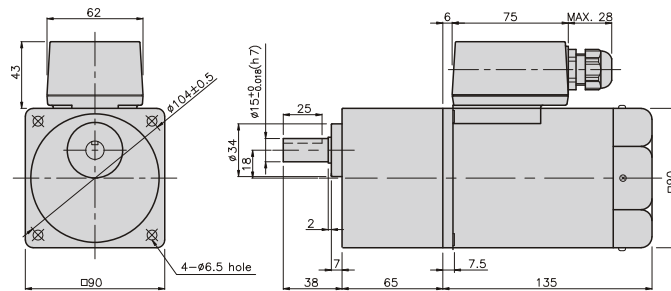
DIMENSION TABLE

PART No	L	Application Model	Mounting BOLT
01	85	K9P3~200BUF	M6 P1,0 X 20
02	40	K9P10BX	M6 P1,0 X 65

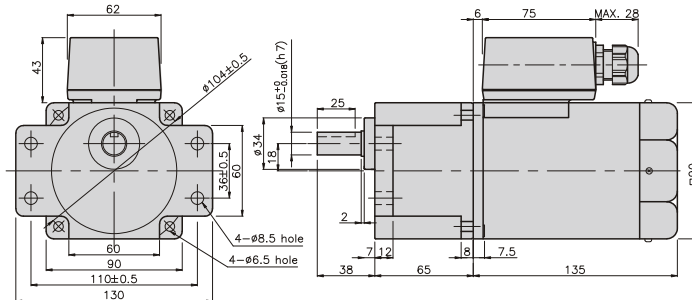
WEIGHT

PART	WEIGHT(kg)
K9P3~10BUF	1,50
K9P12,5~20BUF	1,62
K9P25~60BUF	1,76
K9P75~200BUF	1,82

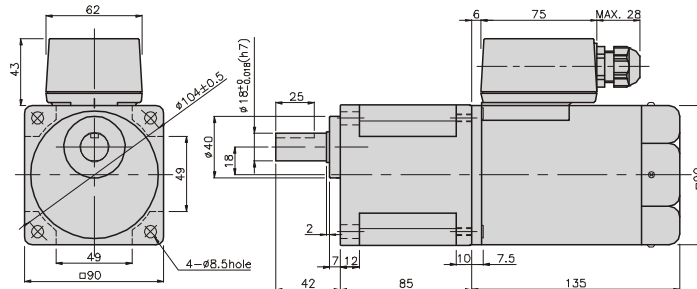
K9RP90F□-T + K9P□B



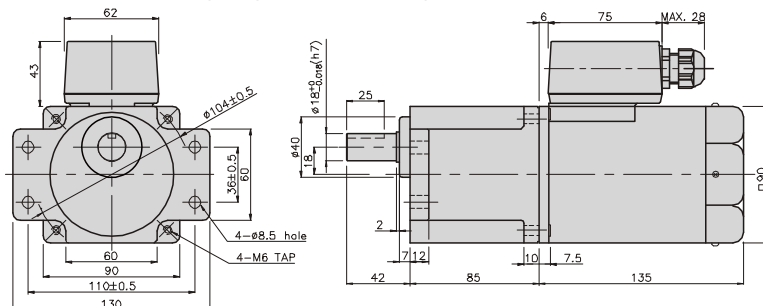
K9RP90F□-T + K9P□BF



K9RP90F□-T + K9P□BU



K9RP90F□-T + K9P□BUF



GEARHEADS

DIMENSIONS

K9RP90F□-T5 + K9P□B



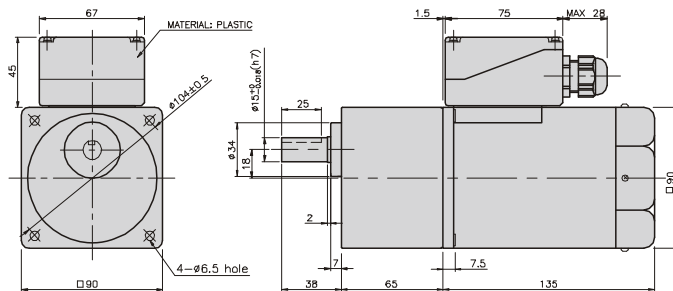
K9RP90F□-T5 + K9P□BF, BUF



K9RP90F□-T5 + K9P□BU



K9RP90F□-T5 + K9P□B



WEIGHT

PART	WEIGHT(kg)
MOTOR	3,18
DECIMAL GEAR HEAD	0,62

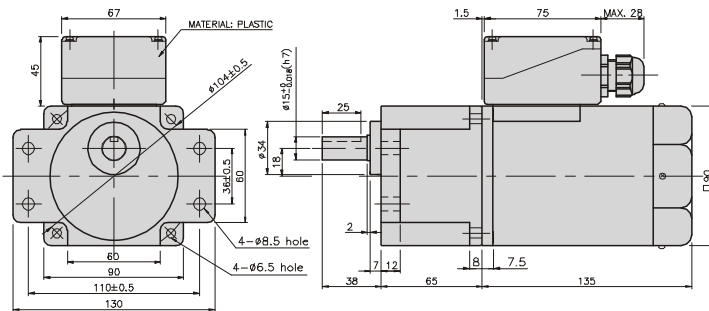
DIMENSION TABLE

PART No	L	Application Model	Mounting BOLT
01	65	K9P3~200B	M6 P1,0 X 95
02	40	K9P10BX	M6 P1,0 X 140

WEIGHT

PART	WEIGHT(kg)
K9P3~10B	1,22
K9P12,5~20B	1,32
K9P25~60B	1,42
K9P75~200B	1,45

K9RP90F□-T5 + K9P□BF



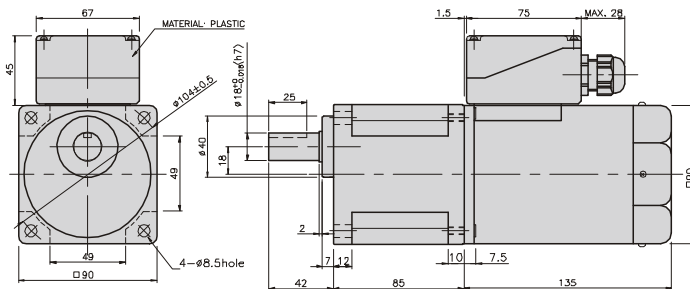
DIMENSION TABLE

PART No	L	Application Model	Mounting BOLT
01	65	K9P3~200BF	M6 P1,0 X 25
02	40	K9P10BX	M6 P1,0 X 65

WEIGHT

PART	WEIGHT(kg)
K9P3~10BF	1,22
K9P12,5~20BF	1,30
K9P25~60BF	1,42
K9P75~200BF	1,44

K9RP90F□-T5 + K9P□BU



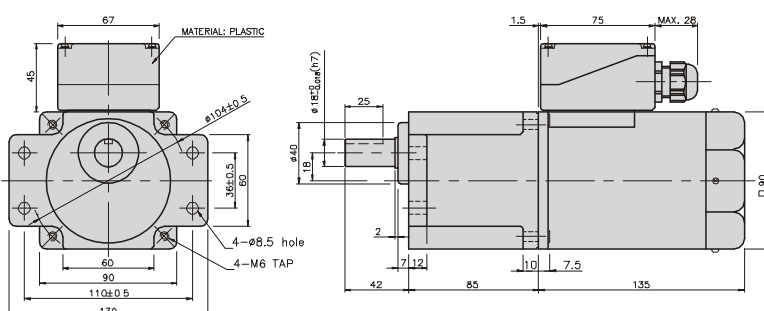
DIMENSION TABLE

PART No	L	Application Model	Mounting BOLT
01	85	K9P3~200BU	M6 P1,0 X 20
02	40	K9P10BX	M6 P1,0 X 60

WEIGHT

PART	WEIGHT(kg)
K9P3~10BU	1,44
K9P12,5~20BU	1,55
K9P25~60BU	1,69
K9P75~200BU	1,74

K9RP90F□-T5 + K9P□BUF



DIMENSION TABLE

PART No	L	Application Model	Mounting BOLT
01	85	K9P3~200BUF	M6 P1,0 X 20
02	40	K9P10BX	M6 P1,0 X 65

WEIGHT

PART	WEIGHT(kg)
K9P3~10BUF	1,50
K9P12,5~20BUF	1,62
K9P25~60BUF	1,76
K9P75~200BUF	1,82