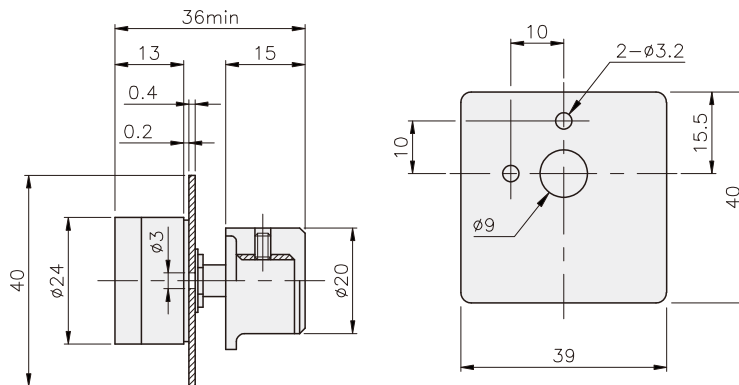


OPTION

EXTERNAL SPEED SETTER

DIMENSIONS

- There is 1 SET of external speed setter as an accessory in GSA SERIES SPEED CONTROL UNIT.
- Attached speed setter to the machine itself in GPA SERIES SPEED CONTROL UNIT that is available to control speed and setting. Purchase and use separately, if you need remote control.
- Also, in case of setting multi-step speed, purchase separately for use the required quantity (Optional)



DIMENSION TABLE

MODEL Name	Feature
KVR10KH	10K Ω , 1/4W, B Feature
KVR20KH	20K Ω , 1/4W, B Feature